

# Classic Column

## At home in either traditional or modern environments

With a progressive approach to classic design, this steel Column radiator can complement the most contemporary of warehouse conversions, provide compatibility with period refurbishment, or add style to the most modern of new building designs. The standard model is supplied in RAL 9016, and is also available in a wide choice of other RAL or BS colour options to harmonise with the boldest or most neutral of decors.

For a chic solution that can accentuate the use of traditional materials, enhance a contemporary or period appearance, the Classic Column is the perfect choice.

## Our extensive range of size options provides fitting flexibility

There are 7 height options available from 300mm to 2500mm. The standard range consists of 54 models with heights of 300mm, 500mm, 600mm and 750mm and widths from 414mm to 1840mm. Where space is limited, there are six vertical models with heights of 1800mm, 2000mm and 2500mm and widths of 322mm and 414mm. This extensive choice of heights and widths combines with a choice of two, three or four columns to provide a versatile sizing flexibility that is ideal for use in a minimalist project, or for applications where work space is restricted.

## The guaranteed performance you would expect from Stelrad

The strength of steel construction is matched by outstanding heating performance. Strictly controlled independent laboratory testing ensures that all Stelrad radiators are guaranteed to perform to a maximum working pressure of 116 psi (8 bar), and conform to EN442 the European Standard for radiators.

As a measure of all round dependable quality and performance, the Stelrad Classic Column radiator comes complete with a 5 Year Warranty.

## Colours

RAL 7035		RAL 2008		RAL 5014		RAL 9002	
RAL 7038		RAL 3000		RAL 5002			
RAL 7036		RAL 3003		RAL 5024			
RAL 7030		RAL 3005		RAL 5022			
RAL 7037		RAL 6027		RAL 5010			
RAL 7015		RAL 6034		RAL 9016			
RAL 9005		RAL 6019		RAL 9010		<b>Metallics</b>	
RAL 1016		RAL 6033		RAL 9001		BR 0002	
RAL 1021		RAL 6012		RAL 1013		BR 0004	
RAL 1004		RAL 6005		RAL 1015		BR 0006	
						BR 0007	

The colours shown above are reproduced as accurately as this printing process will allow and are available to special order only on these models. Specials are subject to a 50% restock fee if returned.



# Stelrad Classic Column

50  $\Delta t$

40  $\Delta t$

30  $\Delta t$

Height	Length mm	Columns	Heat output		Heat output		Heat output	
			Watts	Btu/hr	Watts	Btu/hr	Watts	Btu/hr
300	414	3	288	983	215	735	148	506
	598	3	416	1419	311	1062	214	731
	828	3	576	1965	431	1470	297	1012
	1012	3	704	2402	527	1797	363	1237
	1242	3	864	2948	646	2205	445	1518
	1426	3	992	3385	742	2532	511	1743
	1840	3	1280	4367	957	3267	659	2249
	414	4	377	1286	282	962	194	662
	598	4	545	1860	408	1391	281	958
	828	4	754	2573	564	1924	388	1325
	1012	4	922	3146	690	2353	475	1620
	1242	4	1131	3861	846	2887	582	1987
	598	2	499	1703	373	1274	257	877
	828	2	691	2358	517	1764	356	1214
1012	2	845	2883	632	2157	435	1485	
1242	2	1037	3538	776	2647	534	1822	
500	414	3	464	1585	347	1184	239	815
	598	3	671	2289	502	1713	346	1179
	828	3	929	3170	695	2371	478	1632
	1012	3	1135	3873	849	2897	585	1994
	1242	3	1393	4755	1042	3555	717	2448
	1426	3	1600	5459	1197	4083	824	2811
	1840	3	2064	7044	1544	5268	1063	3627
	414	4	608	2074	455	1552	313	1068
	598	4	879	2999	657	2243	453	1545
	828	4	1217	4152	910	3106	627	2138
	1012	4	1487	5074	1112	3795	766	2613
	1242	4	1825	6227	1365	4658	940	3207
	598	2	589	2010	441	1503	303	1035
	828	2	815	2781	610	2080	420	1432
1012	2	997	3402	746	2545	513	1752	
1242	2	1223	4173	915	3121	630	2149	
600	414	3	548	1870	410	1399	282	963
	598	3	792	2702	592	2021	408	1392
	828	3	1096	3740	820	2797	564	1926
	1012	3	1340	4572	1002	3420	690	2355
	1242	3	1644	5612	1230	4196	847	2889
	1426	3	1888	6442	1412	4819	972	3318
	1840	3	2436	8312	1822	6217	1255	4280
	414	4	718	2450	537	1832	370	1262
	598	4	1037	3538	776	2647	534	1822
	828	4	1436	4900	1074	3665	740	2523
	1012	4	1756	5991	1313	4482	904	3086
	1242	4	2155	7353	1612	5500	1110	3787
	828	3	1337	4562	1000	3412	689	2349
	1012	3	1635	5579	1223	4173	842	2873
1242	3	2006	6844	1500	5120	1033	3525	
1426	3	2303	7861	1723	5878	1186	4047	
1840	3	2972	10140	2223	7585	1531	5222	
750	414	4	877	2992	656	2238	452	1541
	598	4	1266	4320	947	3231	652	2225
	828	4	1753	5981	1311	4474	903	3080
	1012	4	2143	7312	1603	5469	1104	3766
	1242	4	2630	8974	1967	6712	1354	4621
	322	2	868	2962	649	2215	447	1525
	414	2	1116	3808	835	2848	575	1961
	322	2	966	3296	723	2465	497	1697
	414	2	1242	4238	929	3170	640	2182
	322	2	1197	4084	895	3055	616	2103
	414	2	1539	5251	1151	3928	793	2704

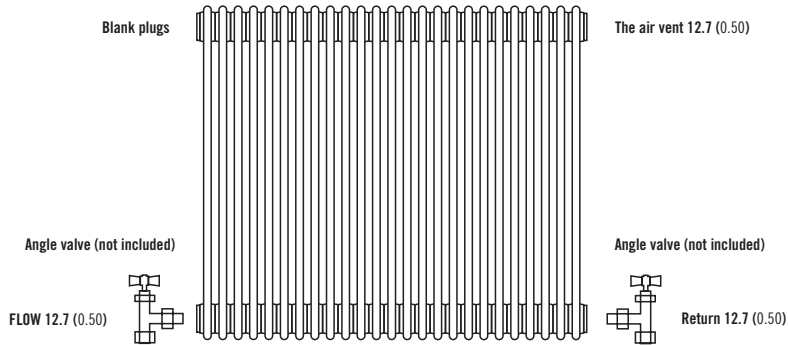
# Stelrad Classic Column

## Weights & Measures

Height	Length		Tap centre mm	Dry weight Kg	Water content Litres	
	mm	in				
300	414	16.2	234	6.3	5.4	
	598	23.5	234	9.1	7.8	
	828	32.5	234	12.6	10.8	
	1012	39.8	234	15.4	13.2	
	1242	48.8	234	18.9	16.2	
	1426	56.1	234	21.7	18.6	
	1840	72.4	234	28.0	24.0	
	414	16.2	234	9.0	6.3	
	598	23.5	234	13.0	9.1	
	828	32.5	234	18.0	12.6	
500	1012	39.8	234	22.0	15.4	
	1242	48.8	234	27.0	18.9	
	598	23.5	434	10.4	6.5	
	828	32.5	434	14.4	9.0	
	1012	39.8	434	17.6	11.0	
	1242	48.8	434	21.6	13.5	
	414	16.2	434	10.8	7.2	
	598	23.5	434	15.6	10.4	
	828	32.5	434	21.6	14.4	
	1012	39.8	434	26.4	17.6	
600	1242	48.8	434	32.4	21.6	
	1426	56.1	434	37.2	24.8	
	1840	72.4	434	48.0	32.0	
	414	16.2	434	15.3	9.0	
	598	23.5	434	22.1	13.0	
	828	32.5	434	30.6	18.0	
	1012	39.8	434	37.4	22.0	
	1242	48.8	434	45.9	27.0	
	598	23.5	534	13.0	7.8	
	828	32.5	534	18.0	10.8	
750	1012	39.8	534	22.0	13.2	
	1242	48.8	534	27.0	16.2	
	414	16.2	534	12.6	8.1	
	598	23.5	534	18.2	11.7	
	828	32.5	534	25.2	16.2	
	1012	39.8	534	30.8	19.8	
	1242	48.8	534	37.8	24.3	
	1426	56.1	534	43.4	27.9	
	1840	72.4	534	56.0	36.0	
	414	16.2	534	18.0	10.8	
1800	598	23.5	534	26.0	15.6	
	828	32.5	534	36.0	21.6	
	1012	39.8	534	44.0	26.4	
	1242	48.8	534	54.0	32.4	
	828	32.5	684	30.6	19.8	
	1012	39.8	684	37.4	24.2	
	1242	48.8	684	45.9	29.7	
	1426	56.1	684	52.7	34.1	
	1840	72.4	684	68.0	44.0	
	414	16.2	684	22.5	12.6	
2000	598	23.5	684	32.5	18.2	
	828	32.5	684	45.0	25.2	
	1012	39.8	684	55.0	30.8	
	1242	48.8	684	67.5	37.8	
	322	12.6	1734	18.9	10.5	
	414	16.2	1734	24.3	13.5	
	2500	322	12.6	1934	21.0	11.9
		414	16.2	1934	27.0	15.3
		322	12.5	2434	25.9	14.4
		414	16.2	2434	33.3	18.9

## Classic Column typical valve installation

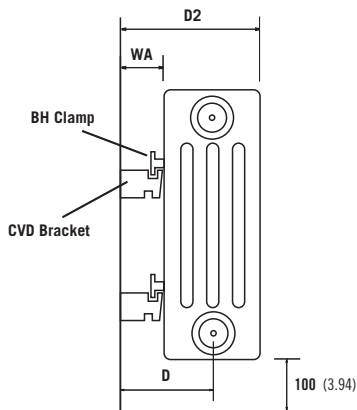
All dimensions in mm. Inches in brackets.



Note: Factory fitted bushes are welded in place and not removable.  
If installing TBOE (Top Bottom Opposite End) please note that the radiator MUST be inverted.

## Classic Column typical bracket installation

All dimensions in mm. Inches in brackets.



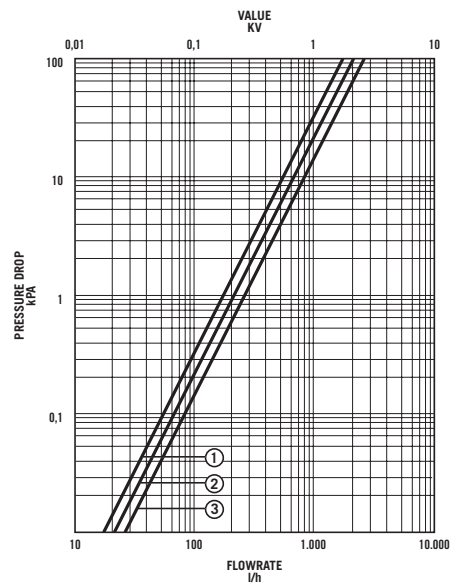
Measurements using 10mm CVD Brackets Slot  
Add 5mm if using 15mm Slot

	WA	D	D2
2 Col	23	54	85
3 Col	23	73	123
4 Col	23	91	159

No of CVD Brackets and BH Clamps Required

	No of Sections
4	0 - 23
6	24 - 41

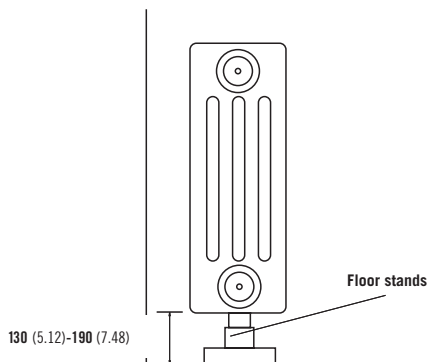
## Pressure drops



- ① 2 Column (P1), 11 (K1)
- ② 3 Column (P+), 22 (K2)
- ③ 4 Column (K3)

## Classic Column optional extra floor fixing

All dimensions in mm. Inches in brackets.



## Classic Column temperature table

### TEMPERATURES

Factors for differences between mean water temperature and room temperature in °C and °F other than 50°C (90°F)

°C		°F	
5	0.050	10	0.057
10	0.123	20	0.142
15	0.209	30	0.240
20	0.304	40	0.348
25	0.406	50	0.466
30	0.515	60	0.590
35	0.629	70	0.721
40	0.748	80	0.858
45	0.872	90	1.000
50	1.000	100	1.147
55	1.132	110	1.298
60	1.267	120	1.454
65	1.406	130	1.613
70	1.549	140	1.776
75	1.694	-	-

To apply the factors shown in the table above to our quoted outputs, multiply the quoted output by the chosen operating factor to give new output.

To apply the factor to required output, divide required output by factor to give correct radiator from the Stelrad Classic Column range.



The Stelrad STARS Heatloss Calculator contains an inbuilt U value calculator.

Save time and effort by using the Stelrad STARS program – the perfect solution for accurate sizing and design flexibility.

For further information and advice call Technical Support on: 01482 498663.