



CLASSIC COLUMN HORIZONTAL

Designer Series

50 Δt

(75/65/20°C)

Height mm	Length mm	Elements	Columns	Stelrad UIN	Heat output	
					Watts	Btu/hr
300	444	9	3	163000	288	983
	628	13	3	163001	416	1420
	858	18	3	163002	576	1966
	1042	22	3	163003	704	2403
	1272	27	3	163004	864	2949
	1456	31	3	163005	992	3386
	1870	40	3	163006	1280	4369
	444	9	4	163007	377	1287
	628	13	4	163008	545	1860
	858	18	4	163009	754	2573
	1042	22	4	163010	922	3147
1272	27	4	163011	1131	3860	
500	628	13	2	163012	499	1703
	858	18	2	163013	691	2358
	1042	22	2	163014	845	2884
	1272	27	2	163015	1037	3539
	444	9	3	163016	464	1584
	628	13	3	163017	671	2290
	858	18	3	163018	929	3171
	1042	22	3	163019	1135	3874
	1272	27	3	163020	1393	4754
	1456	31	3	163021	1600	5461
	1870	40	3	163022	2064	7044
	444	9	4	163023	608	2075
	628	13	4	163024	879	3000
	858	18	4	163025	1217	4154
	1042	22	4	163026	1487	5075
1272	27	4	163027	1825	6229	
600	628	13	2	163028	589	2010
	858	18	2	163029	815	2782
	1042	22	2	163030	997	3403
	1272	27	2	163031	1223	4174
	444	9	3	163032	548	1870
	628	13	3	163033	792	2703
	858	18	3	163034	1096	3741
	1042	22	3	163035	1340	4573
	1272	27	3	163036	1644	5611
	1456	31	3	163037	1888	6444
	1870	40	3	163038	2436	8314
	444	9	4	163039	718	2451
	628	13	4	163040	1037	3539
	858	18	4	163041	1436	4901
	1042	22	4	163042	1756	5993
	1272	27	4	163043	2155	7355
	750	858	18	3	163044	1337
1042		22	3	163045	1635	5580
1272		27	3	163046	2006	6846
1456		31	3	163047	2303	7860
1870		40	3	163048	2972	10143
444		9	4	163049	877	2993
628		13	4	163050	1266	4321
858		18	4	163051	1753	5983
1042		22	4	163052	2143	7314
1272		27	4	163053	2630	8976

$\Delta t50$ is the UK's industry standard for heating outputs, which has an operating temperature of 75/65/20°C. If you have a low temperature heat source you may wish to consider $\Delta t40$ or $\Delta t30$ output (see your installer or system designer or download from www.stelrad.com).

Due to production tolerances the length of the product and therefore the tap centres could contain a variation of +/- 1.5% of the overall stated length.

For EN442 data, technical and installation information please visit our website: www.stelrad.com and search product downloads.

CLASSIC COLUMN HORIZONTAL

Designer Series

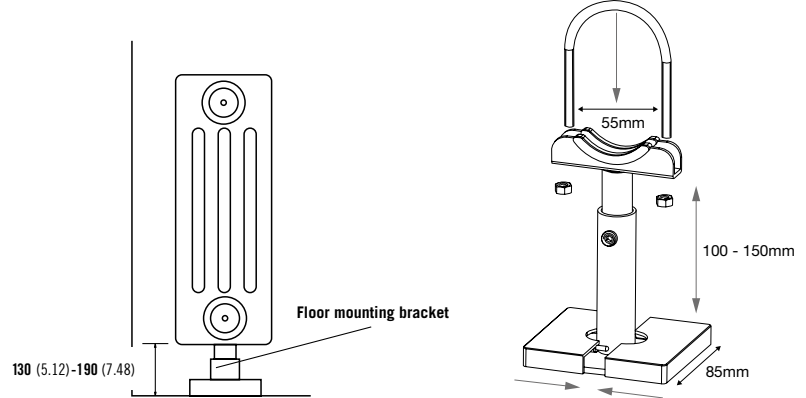
CLASSIC COLUMN HORIZONTAL FLOOR MOUNTING BRACKETS



UIN 148137 White
(sold in pairs)

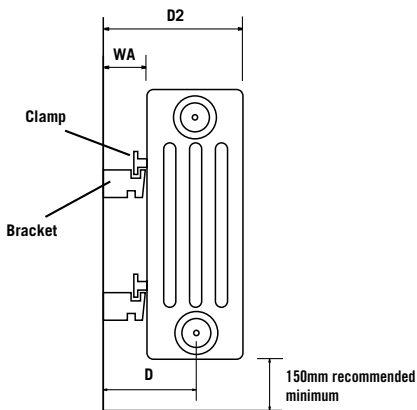
OPTIONAL FLOOR MOUNTING BRACKETS

All dimensions in mm. Inches in brackets.



BRACKET INSTALLATION

All dimensions in mm. Inches in brackets.



MEASUREMENTS USING 10mm CVD BRACKETS SLOT

Add 5mm if using 15mm slot

	WA	D	D2
2 Col	23	54	85
3 Col	23	73	123
4 Col	23	91	159

BRACKETS AND CLAMPS REQUIRED

	No of Sections
4	0 - 23
6	24 - 41

Number of columns	Wall to centre of connections		Wall to front face of radiator
	Using 10mm bracket slot	Using 15mm bracket slot	
2	54	59	85 or 90
3	73	78	123 or 128
4	91	96	159 or 164

All sizes (approximate) in mm

CONNECTIONS

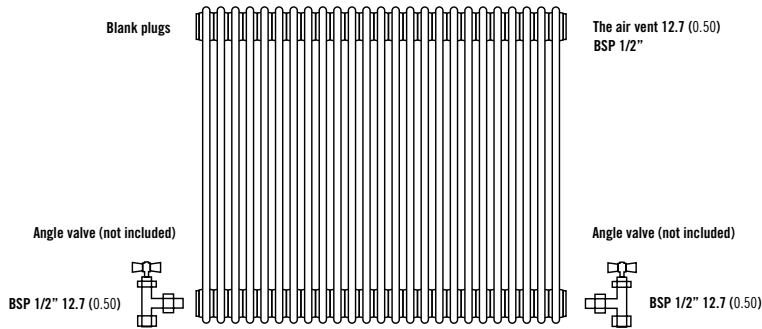
Each radiator comes with 1/2" inlet connections as standard.

CLASSIC COLUMN HORIZONTAL

Designer Series

VALVE INSTALLATION

All dimensions in mm. Inches in brackets.

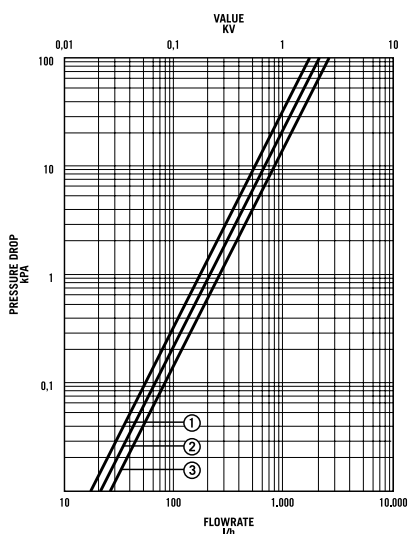


Note: Factory fitted bushes are welded in place and not removable.
If installing TBOE (Top Bottom Opposite End) please note that the radiator MUST be inverted.

EN 442 CERTIFICATION DATA - CETIAT TESTED IN ACCORDANCE WITH BS EN 442

Type	2 Columns		3 Columns			4 Columns
Height	500	600	300	500	600	600
W/m at 75/65/20	835	985	696	1122	1324	1734
n-coefficients	1.25	1.25	1.25	1.25	1.26	1.27
Heated surface area (m ² /m)	1.52	1.96	1.52	2.39	3.04	4.13
Weight (kg/m)	17.39	21.74	15.22	26.09	30.43	43.48
Water contents (l/m)	10.87	13.04	13.04	17.39	19.57	26.09
Wall to tap centre (mm)	54 / 59	54 / 59	73 / 78	73 / 78	73 / 78	91 / 96

PRESSURE DROPS



- ① 2 Column (P1), 11 (K1)
- ② 3 Column (P+), 22 (K2)
- ③ 4 Column (K3)

COLOUR GUIDE

RAL COLOURS

						
RAL 7035 Pale grey	RAL 7038 Agate grey	RAL 7036 Platinum grey	RAL 7030 Stone grey	RAL 7037 Dusty grey	RAL 7015 Slate grey	RAL 9005* Jet black
						
RAL 8017 Chocolate brown	RAL 1016 Sulphur yellow	RAL 1021 Cadmium yellow	RAL 1004 Dark Golden yellow	RAL 2008 Light red orange	RAL 3000 Flame red	RAL 3003 Ruby red
						
RAL 3005 Wine red	RAL 6027 Light green	RAL 6034 Pastel turquoise	RAL 6019 Pastel green	RAL 6033 Turquoise blue	RAL 6020 Chrome green	RAL 6005 Light moss green
						
RAL 5014 Pigeon blue	RAL 5002 Ultramarine blue	RAL 5024 Pastel blue	RAL 5022 Night blue	RAL 5010 Gentian blue	RAL 9016** Traffic white	RAL 9010 Pure white
						
RAL 9001 Cream	RAL 1013 Pearl white	RAL 1015 Light ivory	RAL 9002 Grey white			

Metallic Colours

		
BR002 Metallic silver	BR 0004 Gilded aluminium	BR 0007 Satin metal grey

FOR FURTHER INFORMATION ON RAL COLOURS PLEASE VISIT WWW.RALCOLOR.COM



RAL 9016**
Traffic white
comes as
standard on
all radiators.

Stelrad Radiators are available in white (RAL 9016) as standard, however the specific Radiators identified are now available in a variety of colours. The colours shown are reproduced as accurately as this process will allow and can be made to order on the identified products.

All colour radiators have up to an 8 week lead time, and when a coloured radiator or radiators have been ordered they cannot be cancelled or returned.

To request a colour chart please email
marketing@stelrad.com