

VITA

SERIES



DECO

50Δt
(75/65/20°C)



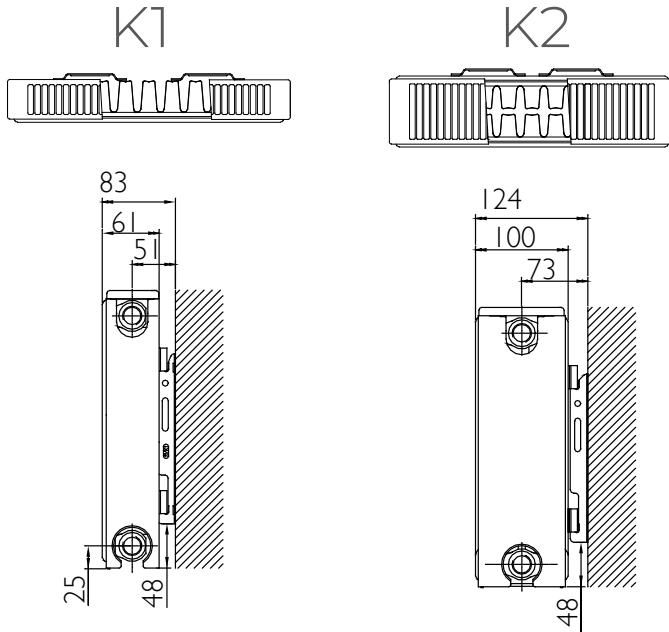
Height mm	Length mm	Stelrad UIN	Heat output		Stelrad UIN	Heat output	
			Watts	Btu/h		Watts	Btu/h
300	500	82301105	235	802	82302205	449	1532
	1000	82301110	469	1601	82302210	898	3064
	1500	82301115	704	2401	82302215	1347	4596
450	400	82451104	272	928	82452204	509	1737
	600	82451106	409	1396	82452206	764	2607
	700	82451107	477	1628	82452207	891	3040
	800	82451108	545	1860	82452208	1018	3474
	900	82451109	613	2092	82452209	1146	3910
	1000	82451110	681	2324	82452210	1273	4344
	1100	82451111	749	2556	82452211	1400	4779
	1200	82451112	817	2788	82452212	1528	5214
	1400	82451114	953	3252	82452214	1782	6080
	1600	82451116	1090	3719	82452216	2037	6951
1800	82451118	1226	4183	82452218	2291	7817	
600	400	82601104	348	1188	82602204	640	2184
	600	82601106	522	1782	82602206	961	3280
	700	82601107	609	2078	82602207	1121	3825
	800	82601108	696	2375	82602208	1281	4372
	900	82601109	783	2672	82602209	1441	4917
	1000	82601110	870	2969	82602210	1601	5464
	1100	82601111	957	3265	82602211	1761	6009
	1200	82601112	1044	3563	82602212	1921	6556
	1400	82601114	1218	4157	82602214	2242	7649
	1600	82601116	1392	4751	82602216	2563	8744
	1800	82601118	1566	5345	82602218	2883	9836
2000	82601120	1740	5939	82602220	3203	10928	

Δt50 is the UK's industry standard for heating outputs, which has an operating temperature of 75/65/20°C. If you have a low temperature heat source you may wish to consider Δt40 or Δt30 output (see your installer or system designer or download from www.stelrad.com).

For EN442 data, technical and installation information please visit our website: www.stelrad.com and search product downloads.

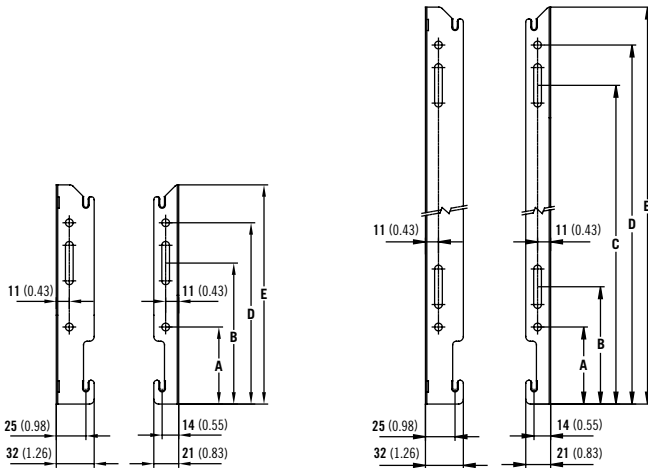
WALL MOUNTING AND LUG INFORMATION

All dimensions in mm. Inches in brackets.



MOUNTING BRACKETS

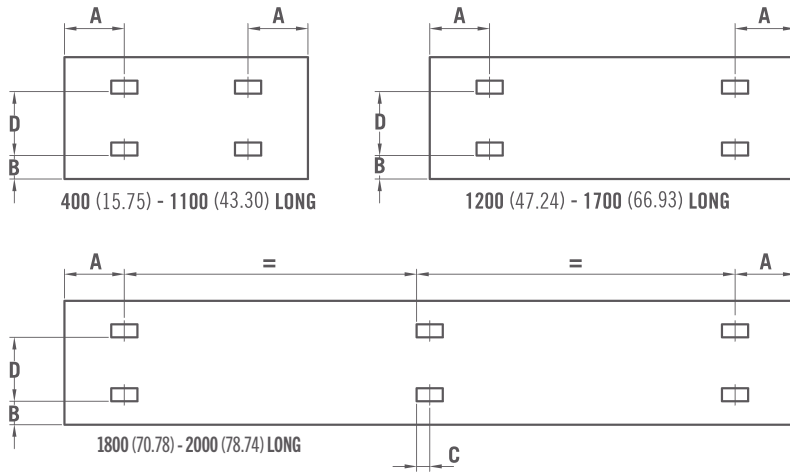
All dimensions in mm. Inches in brackets. Floor mounting brackets available.



Dimensions	mm	inches	mm	inches	mm	inches
Height	300	11.81	450	17.72	600	23.62
A	65	2.56	65	2.56	65	2.56
B	119	4.69	99	3.90	99	3.90
C	-	-	269	10.59	419	16.50
D	153	6.02	303	11.93	453	17.83
E	185	7.28	335	13.19	485	19.09

K1 & K2 LUG POSITIONS (New as of June 2016).

All dimensions in mm. Inches in brackets.



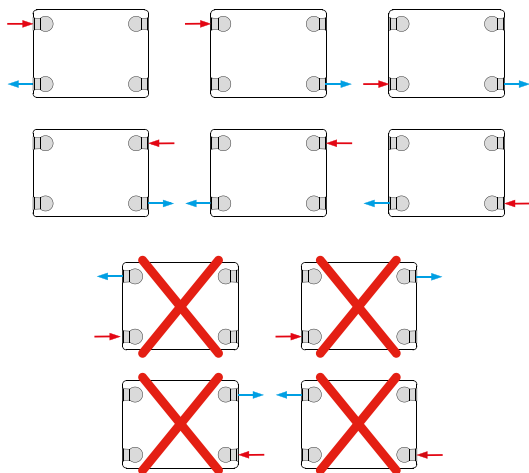
PANEL HEIGHT				D		K1		K2	
mm	in	mm	in	mm	in	mm	in	mm	in
300	11.81	155	6.10	A 400mm	117	4.61	133	5.24	
450	17.72	305	12.01	A 500 - 2000mm	150	5.91	133	5.24	
600	23.62	455	17.91	B 400 - 2000mm	60	2.36	60	2.36	
700	27.56	555	21.95	C 1800 - 2000mm	17	0.67	L/2	L/2	

L/2 is the length divided by two.

CONNECTIONS

Each radiator comes with ½" inlet connections as standard.

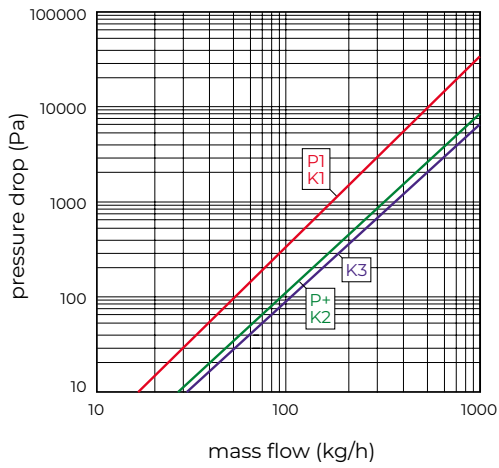
PIPING OPTIONS



EN 442 CERTIFICATION DATA - CETIAT TESTED IN ACCORDANCE WITH BS EN 442

Type	K1			K2		
	300	450	600	300	450	600
Height	300	450	600	300	450	600
W/m at 75/65/20	469	701	911	929	1296	1634
n-coefficients	1.30	1.29	1.28	1.30	1.31	1.32
Heated surface area (m ² /m)	2.09	3.37	4.66	3.51	5.62	7.74
Weight (kg/m)	11.88	18.26	24.65	19.60	29.80	40.00
Water contents (l/m)	1.89	2.49	3.25	3.70	5.05	6.60
Wall to tap centre (mm)	51	51	51	73	73	73

PRESSURE DROPS



Type	Kv
P1 / K1	1.67
P+ / K2	3.32
K3	3.65