

KITCHEN & BATHROOM SERIES



**STAINLESS
STEEL TOWEL
RAIL**

STAINLESS STEEL TOWEL RAIL



50 Δ t

(75/65/20°C)

POLISHED STEEL

Height mm	Length mm	Stelrad UIN	Watts	Heat output	Btu/hr
750	500	741001h	190		648
1200	500	741002h	299		1,20
	600	741003h	340		1160
1500	500	741004h	370		1262

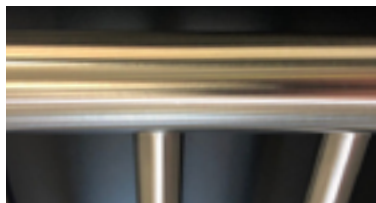
BRUSHED STEEL

Height mm	Length mm	Stelrad UIN	Watts	Heat output	Btu/hr
750	500	742001h	190		648
1200	500	742002h	299		1020
	600	742003h	340		1160
1500	500	742004h	370		1262

Δ t50 is the UK's industry standard for heating outputs, which has an operating temperature of 75/65/20°C. If you have a low temperature heat source you may wish to consider Δ t40 or Δ t30 output (see your installer or system designer or download from www.stelrad.com).

For EN442 data, technical and installation information please visit our website: www.stelrad.com and search product downloads.

FINISHES



Brushed



Polished

STAINLESS STEEL TOWEL RAIL



WALL MOUNTING INFORMATION

All dimensions in mm.

TOOLS REQUIRED FOR INSTALLATION



INSTALLATION INSTRUCTIONS

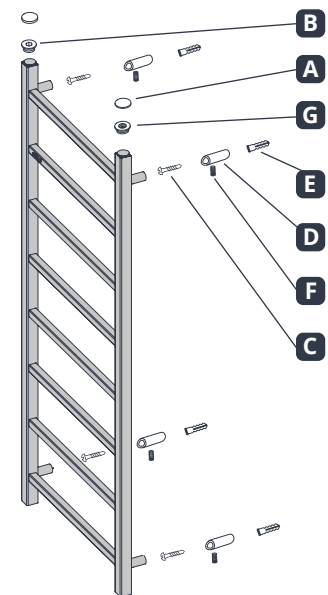
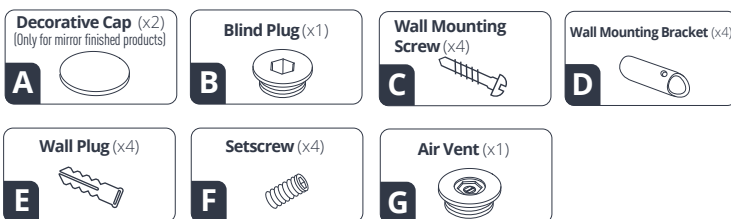
Place your radiator at least 12.5 cm above the floor.

Provide insulation by wrapping PTFE tape on the treads before installing the valves.

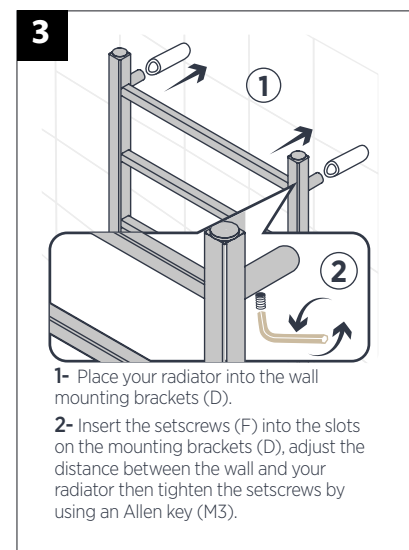
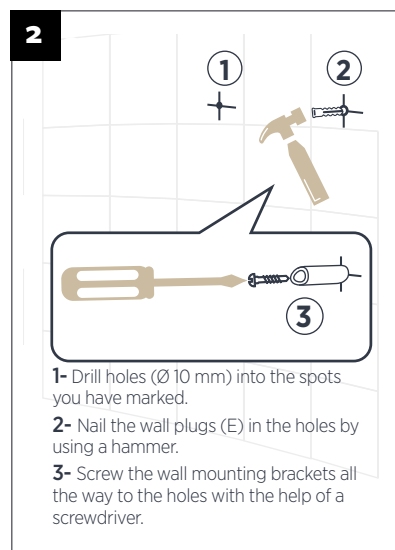
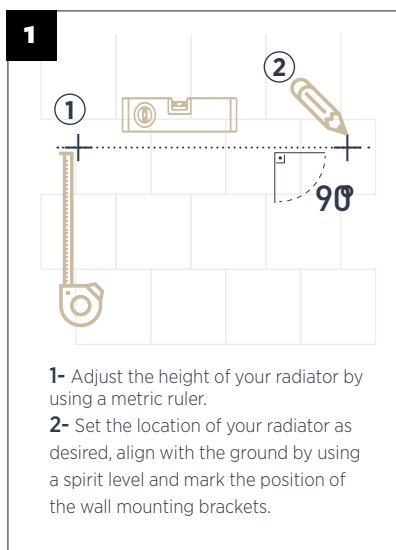
Apply silicone seal fluid to all treaded parts containing o-rings.

Connect your radiator to the utilities after following all the installation steps in the manual.

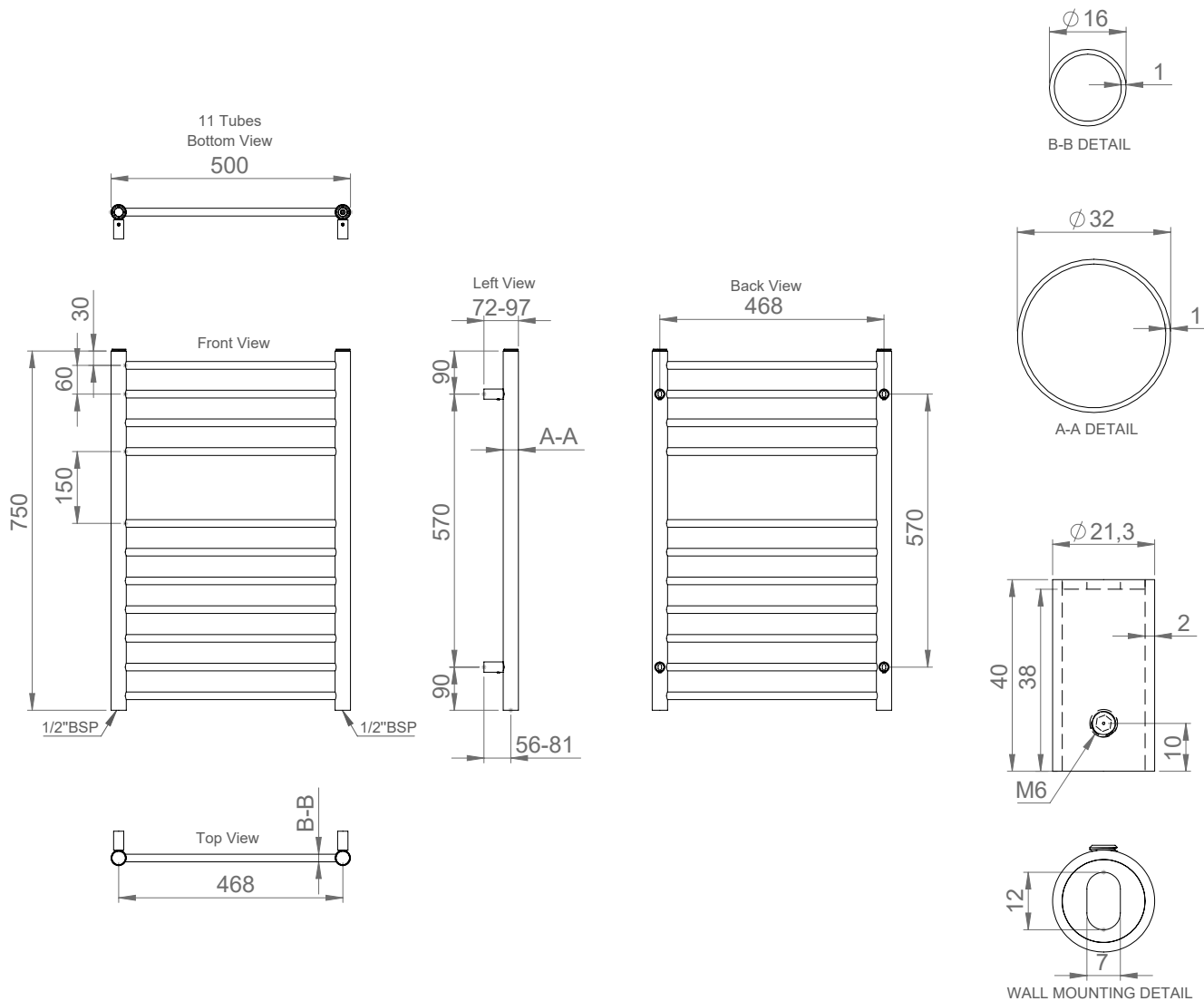
After connecting to the utilities, do not forget to discharge the trapped air inside the radiator.



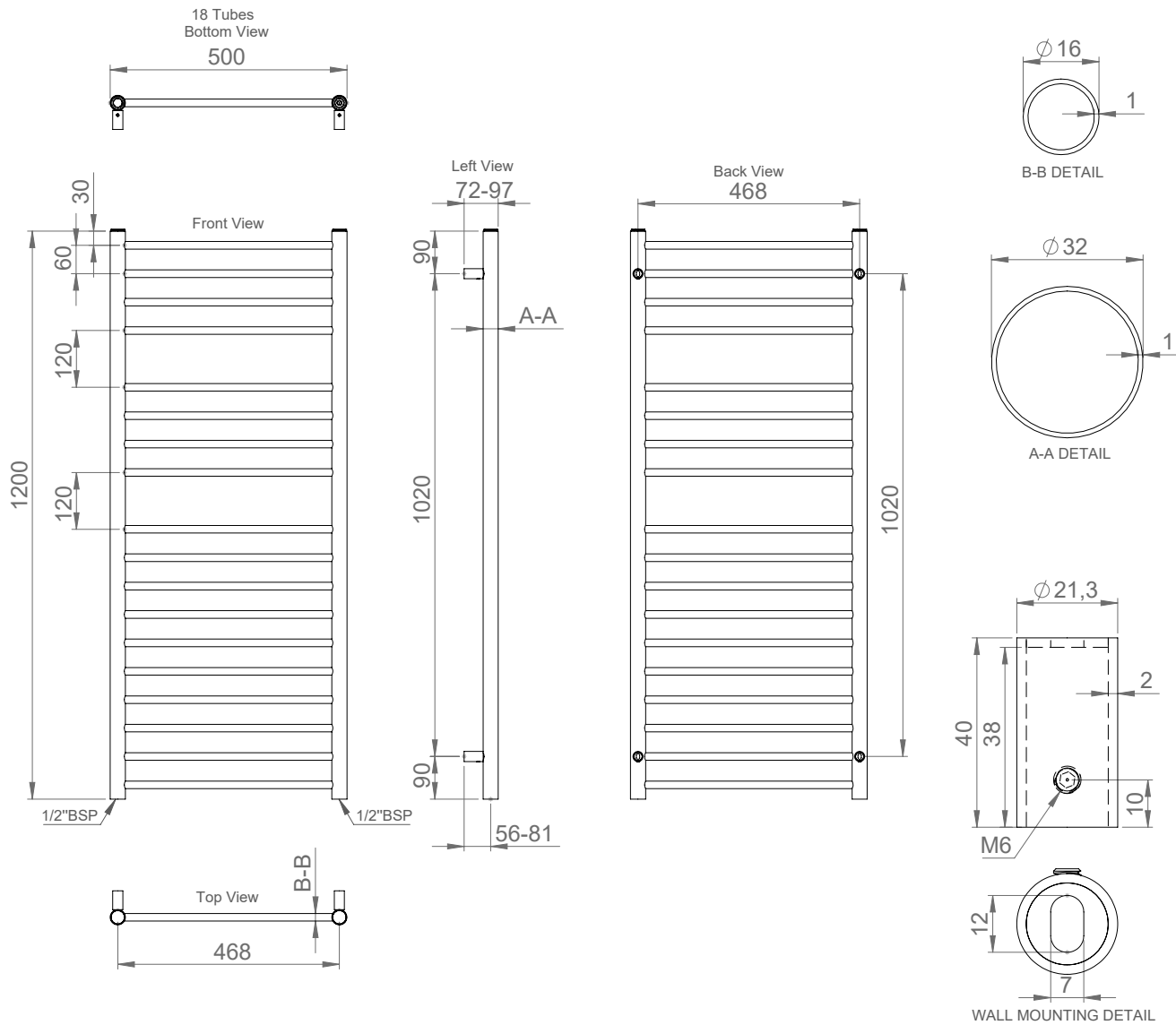
INSTALLATION INSTRUCTIONS FOR THE STAINLESS STEEL TOWEL RAIL



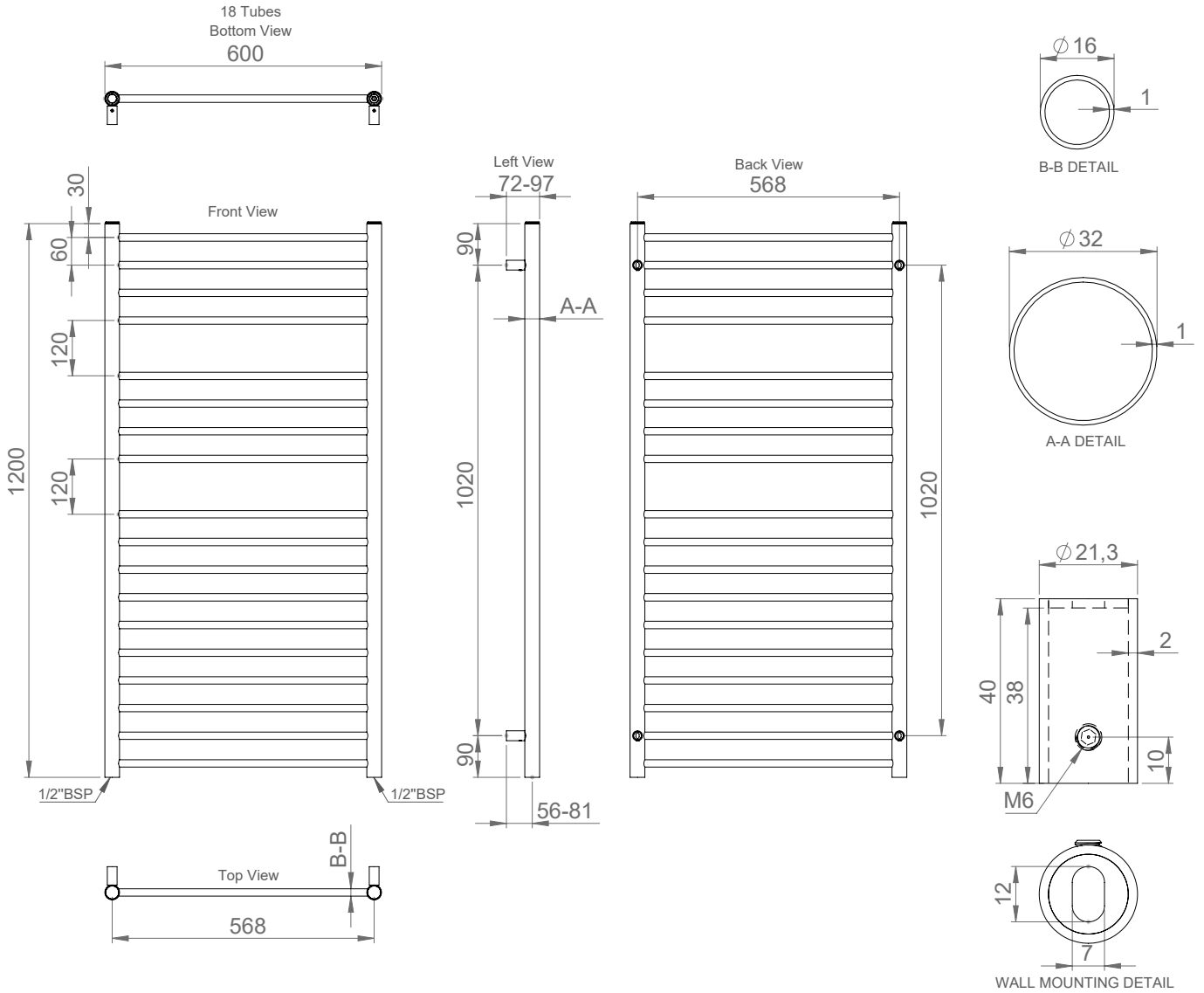
STAINLESS STEEL TOWEL RAIL



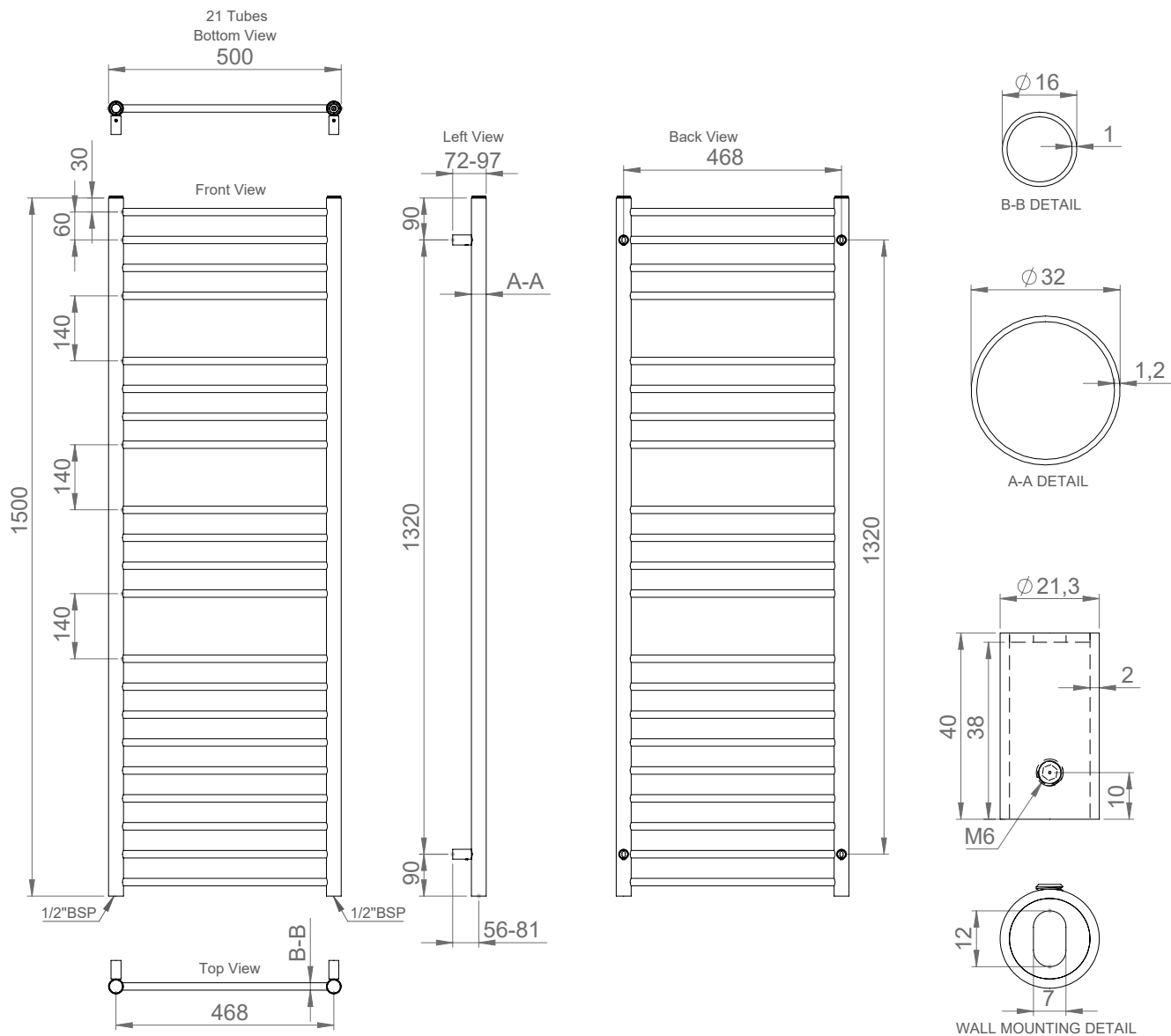
STAINLESS STEEL TOWEL RAIL



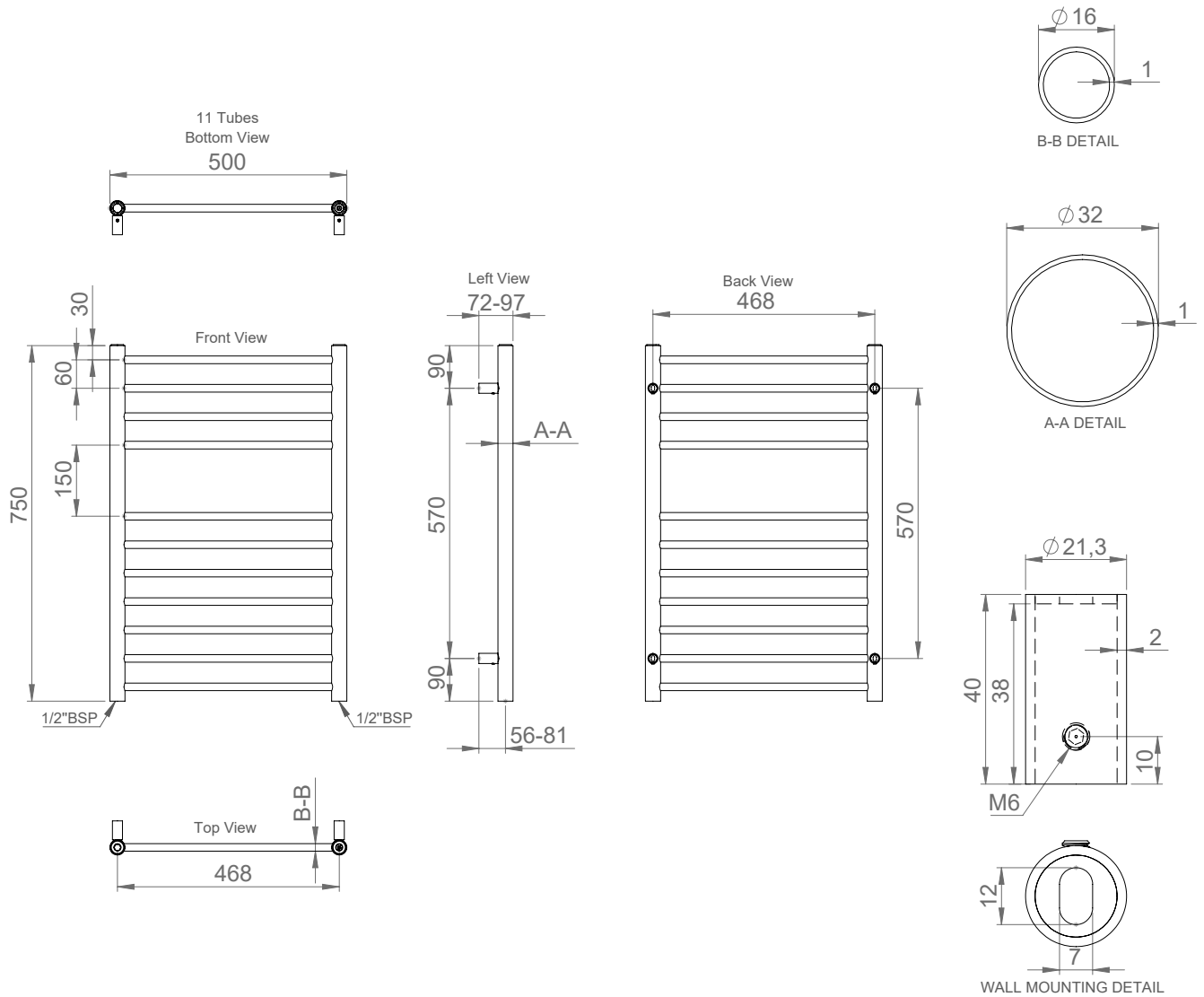
STAINLESS STEEL TOWEL RAIL



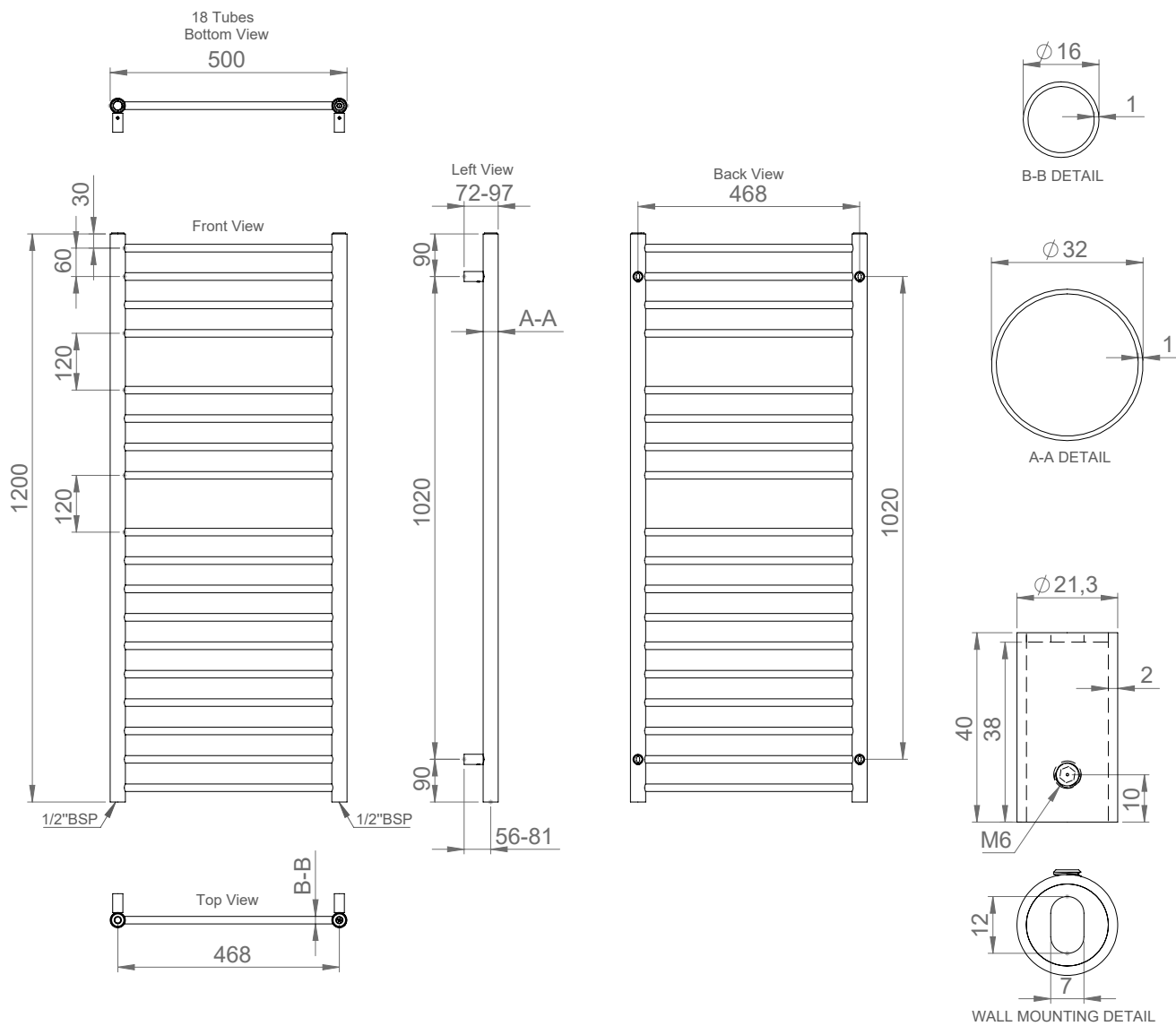
STAINLESS STEEL TOWEL RAIL



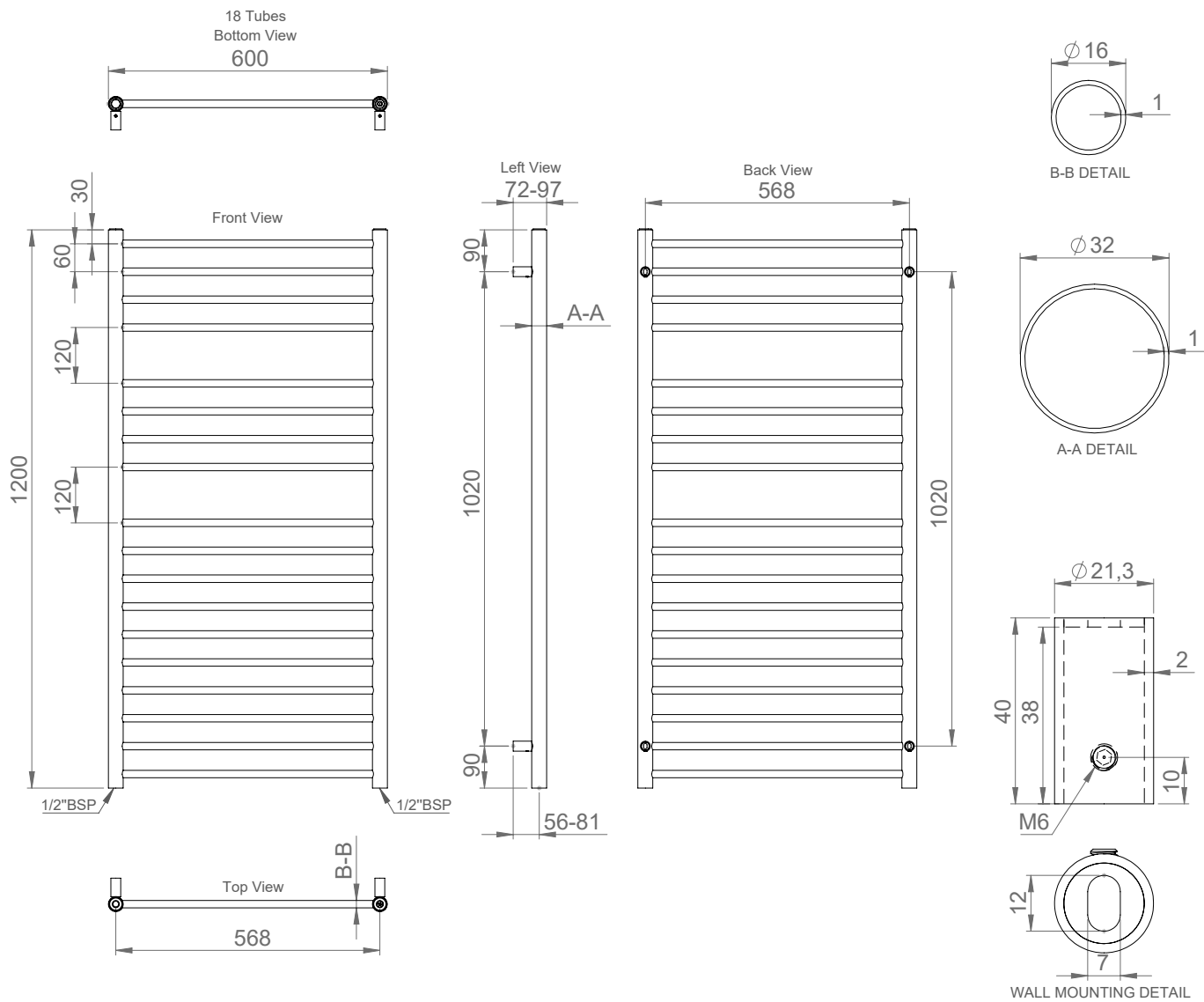
STAINLESS STEEL TOWEL RAIL



STAINLESS STEEL TOWEL RAIL



STAINLESS STEEL TOWEL RAIL



STAINLESS STEEL TOWEL RAIL

