



# COMPACT WITH STYLE

## LO-LINE

Designer Series

### 50 $\Delta t$

(75/65/20°C)

P+



K2



Height mm	Length mm	Sections	P+			K2		
			Stelrad UIN	Watts	Heat output Btu/hr	Stelrad UIN	Watts	Heat output Btu/hr
<b>200</b>	500	15	7422105	242	826	7422205	307	1048
	1000	30	7422110	483	1648	7422210	614	2096
	1400	42	7422114	676	2307	7422214	860	2935
	2000	60	7422120	966	3297	7422220	1228	4191

$\Delta t50$  is the UK's industry standard for heating outputs, which has an operating temperature of 75/65/20°C. If you have a low temperature heat source you may wish to consider  $\Delta t40$  or  $\Delta t30$  output (see your installer or system designer or download from [www.stelrad.com](http://www.stelrad.com)).

For EN442 data, technical and installation information please visit our website: [www.stelrad.com](http://www.stelrad.com) and search product downloads.

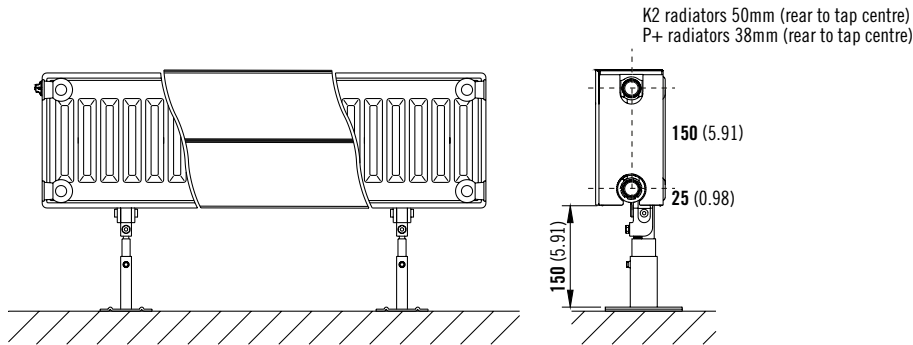
# COMPACT WITH STYLE

## LO-LINE

Designer Series

### FLOOR MOUNTING INFORMATION

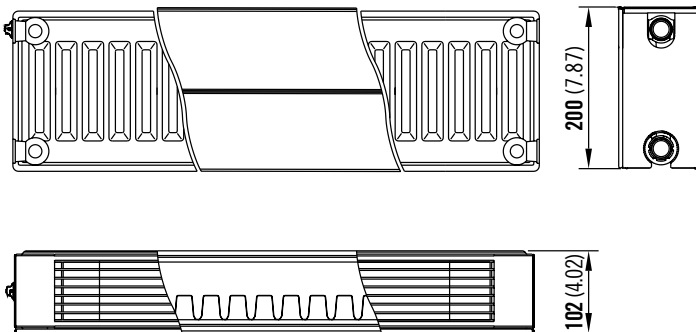
All dimensions in mm. Inches in brackets.



Floor mounting bracket comes as standard (200mm only).

### PANEL INFORMATION

All dimensions in mm. Inches in brackets.



### CONNECTIONS

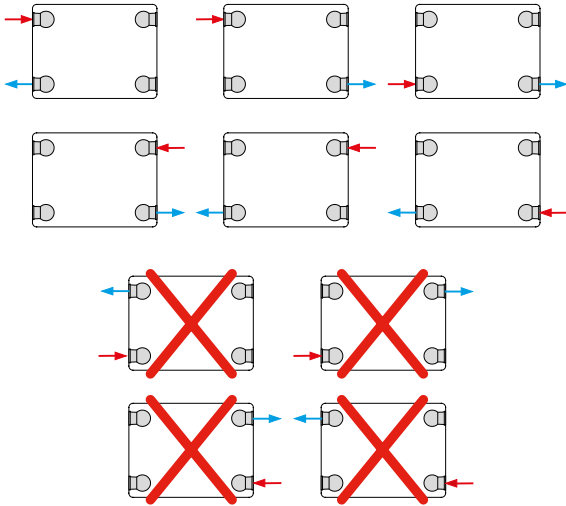
Each radiator comes with 1/2" inlet connections as standard.

# COMPACT WITH STYLE

## LO-LINE

Designer Series

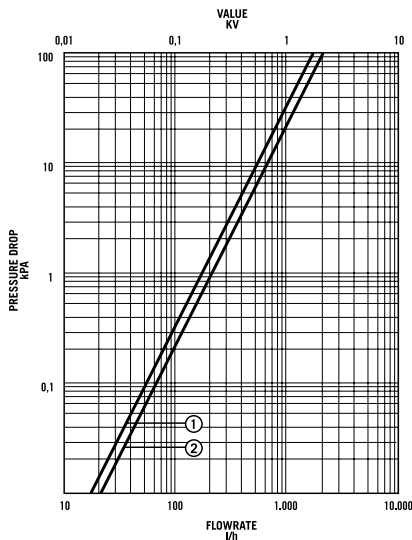
### PIPING OPTIONS



### EN 442 CERTIFICATION DATA - CETIAT TESTED IN ACCORDANCE WITH BS EN 442

Type	P+	K2
Height	200	200
W/m at 75/65/20	483	614
n-coefficients	1.31	1.29
Heated Surface Area (m <sup>2</sup> /m)	1.51	2.10
Weight (kg/m)	12.14	13.15
Water Contents (l/m)	2.64	2.70

### PRESSURE DROPS



- ① Type 10 (P1), 11 (K1)
- ② Type 21 (P+), 22 (K2)