



# COMPACT XTRA PROTECTION

## Special Application Series

**50  $\Delta t$**   
(75/65/20°C)

**K1**



**K2**



Height mm	Length mm	Stelrad UIN	Heat output		Stelrad UIN	Heat output	
			Watts	Btu/hr		Watts	Btu/hr
<b>450</b>	400	144850	302	1031	144858	548	1870
	600	144851	454	1550	144859	823	2809
	800	144852	605	2065	144860	1097	3744
	1000	144853	756	2580	144861	1371	4679
	1200	-	-	-	144867	1645	5614
	1400	-	-	-	144868	1919	6550
	1600	-	-	-	144869	2194	7488
	1800	-	-	-	144870	2468	8423
<b>600</b>	400	144854	392	1338	144862	693	2365
	600	144855	588	2007	144863	1039	3546
	800	144856	784	2676	144864	1386	4730
	1000	144857	980	3345	144865	1732	5911
	1200	-	-	-	144871	2078	7092
	1400	-	-	-	144872	2425	8277
	1600	-	-	-	144873	2771	9457
	1800	-	-	-	144874	3118	10642

$\Delta t$ 50 is the UK's industry standard for heating outputs, which has an operating temperature of 75/65/20°C. If you have a low temperature heat source you may wish to consider  $\Delta t$ 40 or  $\Delta t$ 30 output (see your installer or system designer or download from [www.stelrad.com](http://www.stelrad.com)).

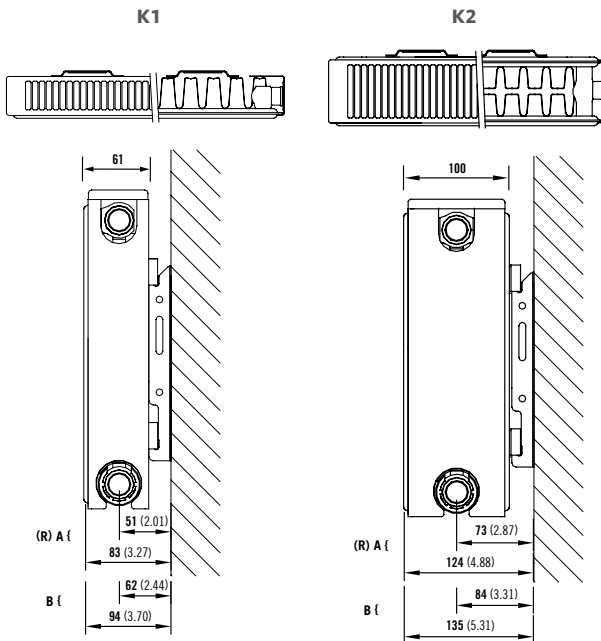
For EN442 data, technical and installation information please visit our website: [www.stelrad.com](http://www.stelrad.com) and search product downloads.

# COMPACT XTRA PROTECTION

Special Application Series

## WALL MOUNTING INFORMATION

All dimensions in mm. Inches in brackets.  
Floor mounting brackets available.

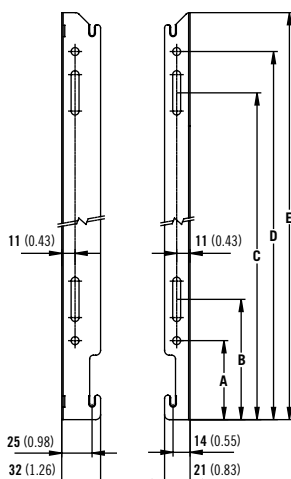


## BRACKET POSITION

A = Closest to wall B = Furthest from wall (R) = Recommended mounting position.

## COMPACT MOUNTING BRACKETS

All dimensions in mm. Inches in brackets. Floor mounting brackets available.



**K1 and K2**

Dimensions	mm	inches	mm	inches
Height	450	17.72	600	23.62
<b>A</b>	65	2.56	65	2.56
<b>B</b>	99	3.90	99	3.90
<b>C</b>	269	10.59	419	16.50
<b>D</b>	303	11.93	453	17.83
<b>E</b>	335	13.19	485	19.09

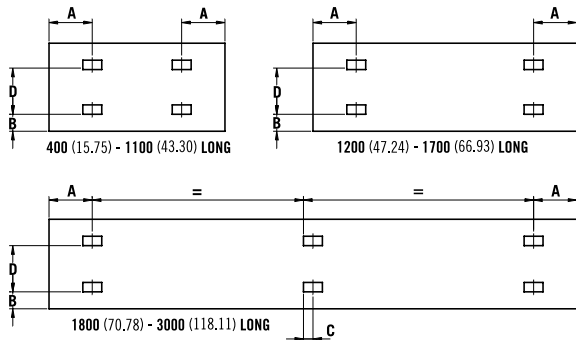
**Additional Zinc coating to the emitter provides extra protection and helps prevent corrosion and rust, without compromising the heat output.**

# COMPACT XTRA PROTECTION

## Special Application Series

### K1 AND K2 LUG POSITIONS

All dimensions in mm. Inches in brackets.



### P1, P+ & K2

Dimensions	mm	in
<b>A</b>	133	5.24
<b>B</b>	60	2.36

### K1

Dimensions	mm	in
<b>A</b> 400mm	117	4.61
<b>A</b> 500 - 3000mm	150	5.91
<b>B</b> 400 - 3000mm	60	2.36
<b>C</b> 1800 - 3000mm	17	0.67

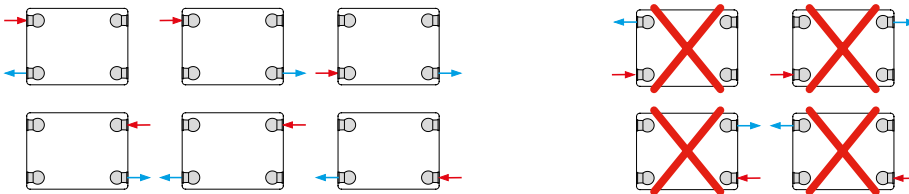
### PANEL HEIGHT D

mm		in	
300	11.81	155	6.10
450	17.72	305	12.01
600	23.62	455	17.91
700	27.56	555	21.95

### CONNECTIONS

Each radiator comes with 1/2" inlet connections as standard.

### PIPING OPTIONS



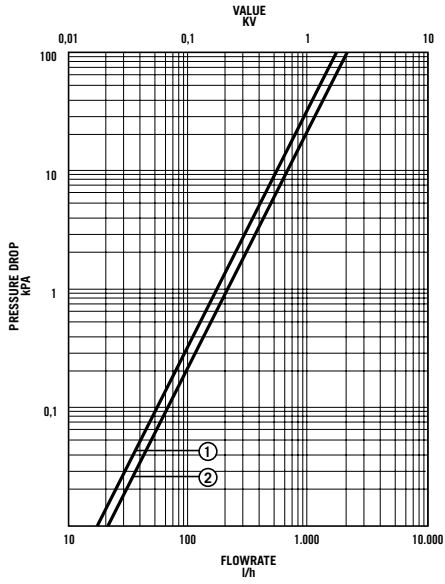
### EN 442 CERTIFICATION DATA - CETIAT TESTED IN ACCORDANCE WITH BS EN 442

Type	K1		K2	
Height	450	600	450	600
W/m at 75/65/20	756	980	1371	1732
n-coefficients	1.31	1.29	1.33	1.33
Heated surface area (m <sup>2</sup> /m)	3.37	4.66	5.62	7.74
Weight (kg/m)	14.51	19.70	25.90	35.00
Water contents (l/m)	2.57	3.25	5.15	6.60
Wall to tap centre (mm)	51	51	73	73

# COMPACT XTRA PROTECTION

Special Application Series

## PRESSURE DROPS



- ① Type 10 (P1), 11 (K1)
- ② Type 21 (P+), 22 (K2)