


PATIENT SCHEDULE
2018.10.02



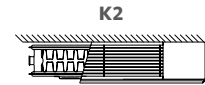
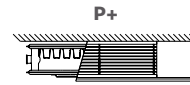
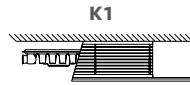
Patient name	Doctor	Time	Date
Mr. Smith	Dr. Brown	10:30am	2018.10.02
Miss. Howard	Dr. Brown	11:00am	2018.10.02
Mr. Wright	Dr. Brown	11:30am	2018.10.02
Mrs. Daniela	Dr. Brown	12:00am	2018.10.02
Mr. Garrison	Dr. Brown	12:30am	2018.10.02
Mr. Turner	Dr. House	10:30am	2018.10.02
Mrs. Griffin	Dr. House	11:00am	2018.10.02
Mrs. Morigan	Dr. House	11:30am	2018.10.02
Mrs. Jackson	Dr. House	12:00am	2018.10.02
Mr. Timber	Dr. House	12:30am	2018.10.02



LST i PLUS DECO

Safety Series

50 Δt
(75/65/20°C)



Casing Height mm	Casing Length mm	Emitter Height mm	Emitter Length mm	K1			P+			K2		
				Stelrad UIN	Heat output Watts	Heat output Btu/hr	Stelrad UIN	Heat output Watts	Heat output Btu/hr	Stelrad UIN	Heat output Watts	Heat output Btu/hr
500	650	300	400	245200	196	669	245248	284	969	245224	348	1187
	850	300	600	245201	293	1000	245249	426	1454	245225	522	1781
	1050	300	800	245202	391	1334	245250	568	1938	245226	696	2375
	1250	300	1000	245203	489	1668	245251	710	2423	245227	870	2968
	1450	300	1200	245204	587	2003	245252	852	2907	245228	1044	3562
	1650	300	1400	245205	685	2337	245253	994	3392	245229	1218	4156
	1850	300	1600	245206	782	2668	245254	1136	3876	245230	1392	4750
2050	300	1800	245207	880	3003	245255	1278	4361	245231	1566	5343	
650	650	450	400	245208	290	989	245256	386	1317	245232	478	1631
	850	450	600	245209	435	1484	245257	580	1979	245233	717	2446
	1050	450	800	245210	580	1979	245258	773	2637	245234	956	3262
	1250	450	1000	245211	725	2474	245259	966	3296	245235	1195	4077
	1450	450	1200	245212	870	2968	245260	1159	3955	245236	1434	4893
	1650	450	1400	245213	1015	3463	245261	1352	4613	245237	1673	5708
	1850	450	1600	245214	1160	3958	245262	1546	5275	245238	1912	6524
2050	450	1800	245215	1305	4453	245263	1739	5933	245239	2151	7339	
800	650	600	400	245216	365	1245	245264	501	1709	245240	615	2098
	850	600	600	245217	548	1870	245265	751	2562	245241	922	3146
	1050	600	800	245218	730	2491	245266	1002	3419	245242	1230	4197
	1250	600	1000	245219	913	3115	245267	1252	4272	245243	1537	5244
	1450	600	1200	245220	1096	3740	245268	1502	5125	245244	1844	6292
	1650	600	1400	245221	1278	4361	245269	1753	5981	245245	2152	7343
	1850	600	1600	245222	1461	4985	245270	2003	6834	245246	2459	8390
2050	600	1800	245223	1643	5606	245271	2254	7691	245247	2767	9441	

$\Delta t50$ is the UK's industry standard for heating outputs, which has an operating temperature of 75/65/20°C. If you have a low temperature heat source you may wish to consider $\Delta t40$ or $\Delta t30$ output (see your installer or system designer or download from www.stelrad.com).

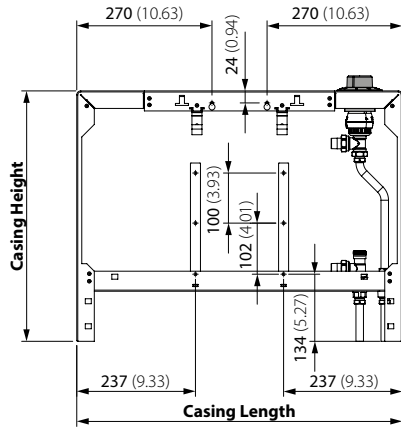
For EN442 data, technical and installation information please visit our website: www.stelrad.com and search product downloads.

LST i PLUS DECO

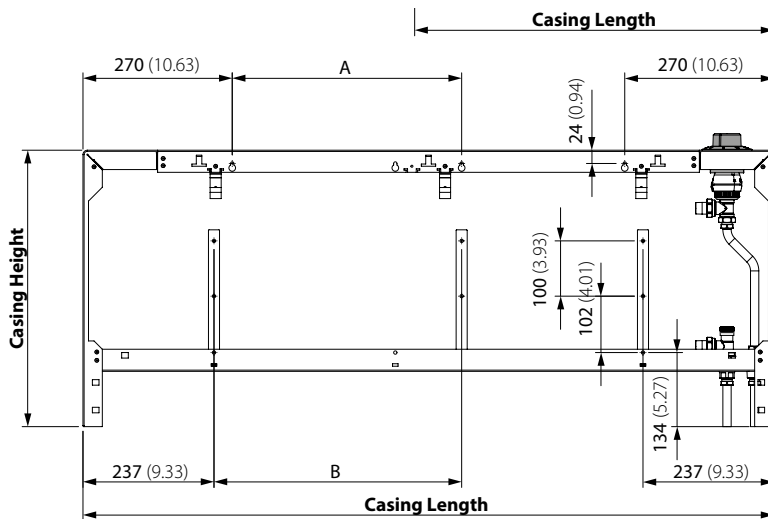
Safety Series

WALL FIXINGS AND BRACKET POSITIONS

All dimensions in mm. Inches in brackets.



Casing Length mm	Casing Height mm
650	500
850	650
1050	800



Casing Length mm	A mm	B mm	Casing Height mm
1250	415	448	500
1450	515	548	650
1650	615	648	800
1850	715	748	
2050	815	848	

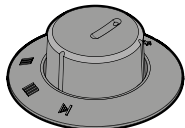
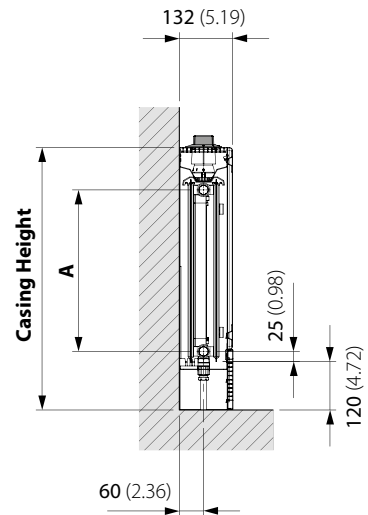
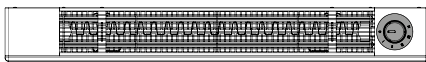
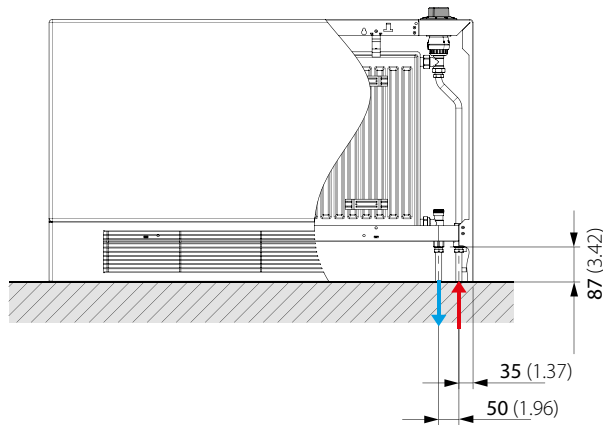
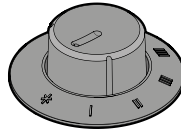
LST i PLUS DECO

Safety Series

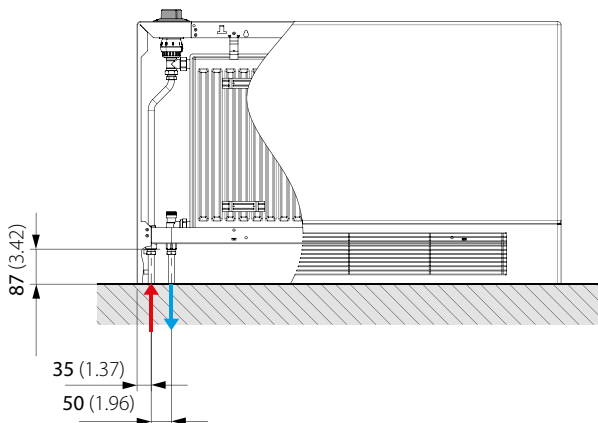
CONNECTION OPTIONS

Each radiator comes with 1/2" inlet connections as standard.
All dimensions in mm. Inches in brackets.

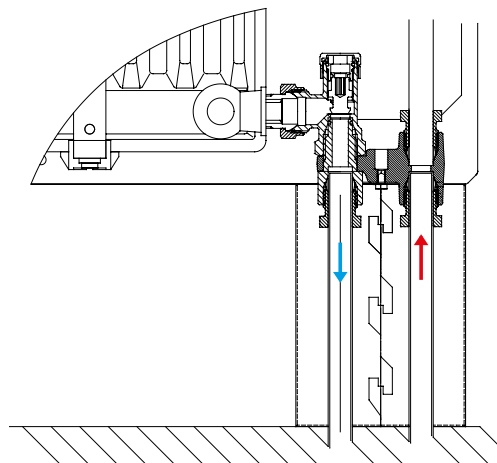
CONTROL ON RIGHT-HAND SIDE



CONTROL ON LEFT-HAND SIDE



PIPE CONFIGURATIONS



LST i PLUS DECO

Safety Series

EN 442 CERTIFICATION DATA - CETIAT TESTED IN ACCORDANCE WITH BS EN 442

Type	K1			P+			K2		
	500	650	800	500	650	800	500	650	800
Casing height	500	650	800	500	650	800	500	650	800
Emitter height	300	450	600	300	450	600	300	450	600
W/m at 75/65/20	489	725	913	710	966	1252	870	1195	1537
n-coefficients	1.19	1.25	1.34	1.24	1.27	1.31	1.27	1.30	1.32
Heated surface area (m ² /m)	2.09	3.37	4.66	2.44	3.84	5.24	3.51	5.62	7.74
Weight (kg/m)	17.80	23.50	29.40	22.70	30.72	38.40	24.40	33.30	42.50
Water contents (l/m)	1.89	2.57	3.25	3.70	5.15	6.60	3.70	5.15	6.60

COMPONENTS



LST i Plus Deco front case view.



LST i Plus Deco inside the casing showing the emitter.



LST i Plus Deco oblong knockout for pipe.



Optional cover cap to discourage unauthorised tampering.



An arthritic adaptor is supplied as standard for special needs environments.



Accommodated within the casing, the Stelrad LST i Plus Deco emitter, with TBSE valve arrangement and 2 x 1/2" BSP connections as standard.



Includes Danfoss RA-2000 TRV and copper pipe configuration.



The remote sensing thermostatic valve gives accuracy of operation and the limiting device is completely hidden to prevent the maximum temperature being exceeded.