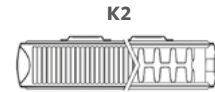
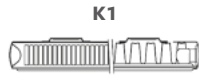




SOFTLINE COMPACT

Softline Series

50 Δt
(75/65/20°C)



| Height mm | Length mm | K1 | | | P+ | | | K2 | | |
|------------|-----------|-------------|-------------------|--------------------|-------------|-------------------|--------------------|-------------|-------------------|--------------------|
| | | Stelrad UIN | Heat output Watts | Heat output Btu/hr | Stelrad UIN | Heat output Watts | Heat output Btu/hr | Stelrad UIN | Heat output Watts | Heat output Btu/hr |
| 300 | 500 | 80301105 | 255 | 870 | - | - | - | 80302205 | 491 | 1676 |
| | 1000 | 80301110 | 509 | 1737 | - | - | - | 80302210 | 982 | 3352 |
| | 1500 | 80301115 | 764 | 2608 | - | - | - | 80302215 | 1473 | 5027 |
| | 2000 | 80301120 | 1018 | 3474 | - | - | - | 80302220 | 1964 | 6703 |
| 450 | 400 | 80451104 | 302 | 1031 | - | - | - | 80452204 | 548 | 1870 |
| | 500 | 80451105 | 378 | 1290 | - | - | - | 80452205 | 686 | 2341 |
| | 600 | 80451106 | 454 | 1550 | - | - | - | 80452206 | 823 | 2809 |
| | 700 | 80451107 | 529 | 1805 | - | - | - | 80452207 | 960 | 3276 |
| | 800 | 80451108 | 605 | 2065 | - | - | - | 80452208 | 1097 | 3744 |
| | 900 | 80451109 | 680 | 2321 | - | - | - | 80452209 | 1234 | 4212 |
| | 1000 | 80451110 | 756 | 2580 | 80452110 | 1055 | 3601 | 80452210 | 1371 | 4679 |
| | 1100 | 80451111 | 832 | 2840 | 80452111 | 1161 | 3962 | 80452211 | 1508 | 5147 |
| | 1200 | 80451112 | 907 | 3096 | 80452112 | 1266 | 4321 | 80452212 | 1645 | 5614 |
| | 1400 | 80451114 | 1058 | 3611 | 80452114 | 1477 | 5041 | 80452214 | 1919 | 6550 |
| | 1600 | 80451116 | 1210 | 4130 | 80452116 | 1688 | 5761 | 80452216 | 2194 | 7488 |
| | 1800 | 80451118 | 1361 | 4645 | - | - | - | 80452218 | 2468 | 8423 |
| 2000 | 80451120 | 1512 | 5160 | - | - | - | 80452220 | 2742 | 9358 | |
| 600 | 400 | 80601104 | 392 | 1338 | 80602104 | 538 | 1836 | 80602204 | 693 | 2365 |
| | 500 | 80601105 | 490 | 1672 | 80602105 | 673 | 2297 | 80602205 | 866 | 2956 |
| | 600 | 80601106 | 588 | 2007 | 80602106 | 807 | 2754 | 80602206 | 1039 | 3546 |
| | 700 | 80601107 | 686 | 2341 | 80602107 | 942 | 3215 | 80602207 | 1212 | 4137 |
| | 800 | 80601108 | 784 | 2676 | 80602108 | 1076 | 3672 | 80602208 | 1386 | 4730 |
| | 900 | 80601109 | 882 | 3010 | 80602109 | 1211 | 4133 | 80602209 | 1559 | 5321 |
| | 1000 | 80601110 | 980 | 3345 | 80602110 | 1345 | 4590 | 80602210 | 1732 | 5911 |
| | 1100 | 80601111 | 1078 | 3679 | 80602111 | 1480 | 5051 | 80602211 | 1905 | 6502 |
| | 1200 | 80601112 | 1176 | 4014 | 80602112 | 1614 | 5509 | 80602212 | 2078 | 7092 |
| | 1400 | 80601114 | 1372 | 4683 | 80602114 | 1883 | 6427 | 80602214 | 2425 | 8277 |
| | 1600 | 80601116 | 1568 | 5352 | 80602116 | 2152 | 7345 | 80602216 | 2771 | 9457 |
| | 1800 | 80601118 | 1764 | 6021 | - | - | - | 80602218 | 3118 | 10642 |
| 2000 | 80601120 | 1960 | 6689 | - | - | - | 80602220 | 3464 | 11823 | |
| 700 | 400 | 80701104 | 447 | 1526 | - | - | - | 80702204 | 784 | 2676 |
| | 500 | 80701105 | 559 | 1908 | - | - | - | 80702205 | 981 | 3348 |
| | 600 | 80701106 | 670 | 2287 | - | - | - | 80702206 | 1177 | 4017 |
| | 700 | 80701107 | 782 | 2669 | - | - | - | 80702207 | 1373 | 4686 |
| | 800 | 80701108 | 894 | 3051 | - | - | - | 80702208 | 1569 | 5355 |
| | 900 | 80701109 | 1005 | 3430 | - | - | - | 80702209 | 1765 | 6024 |
| | 1000 | 80701110 | 1117 | 3812 | - | - | - | 80702210 | 1961 | 6693 |
| | 1100 | 80701111 | 1229 | 4195 | - | - | - | 80702211 | 2157 | 7362 |
| | 1200 | 80701112 | 1340 | 4573 | - | - | - | 80702212 | 2353 | 8031 |
| | 1400 | 80701114 | 1564 | 5338 | - | - | - | 80702214 | 2745 | 9369 |
| | 1600 | 80701116 | 1787 | 6099 | - | - | - | 80702216 | 3138 | 10710 |
| | 1800 | 80701118 | 2011 | 6864 | - | - | - | 80702218 | 3530 | 12048 |
| 2000 | 80701120 | 2234 | 7625 | - | - | - | 80702220 | 3922 | 13386 | |

$\Delta t50$ is the UK's industry standard for heating outputs, which has an operating temperature of 75/65/20°C. If you have a low temperature heat source you may wish to consider $\Delta t40$ or $\Delta t30$ output (see your installer or system designer or download from www.stelrad.com).

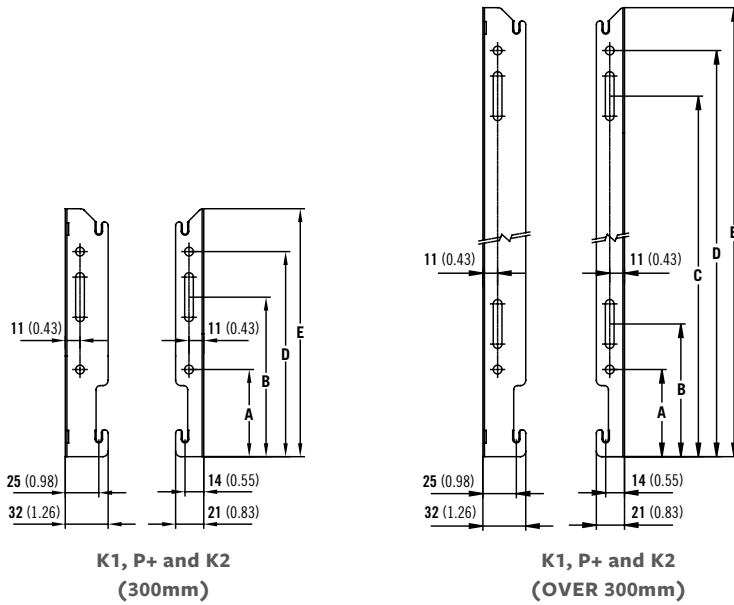
For EN442 data, technical and installation information please visit our website: www.stelrad.com and search product downloads.

SOFTLINE COMPACT

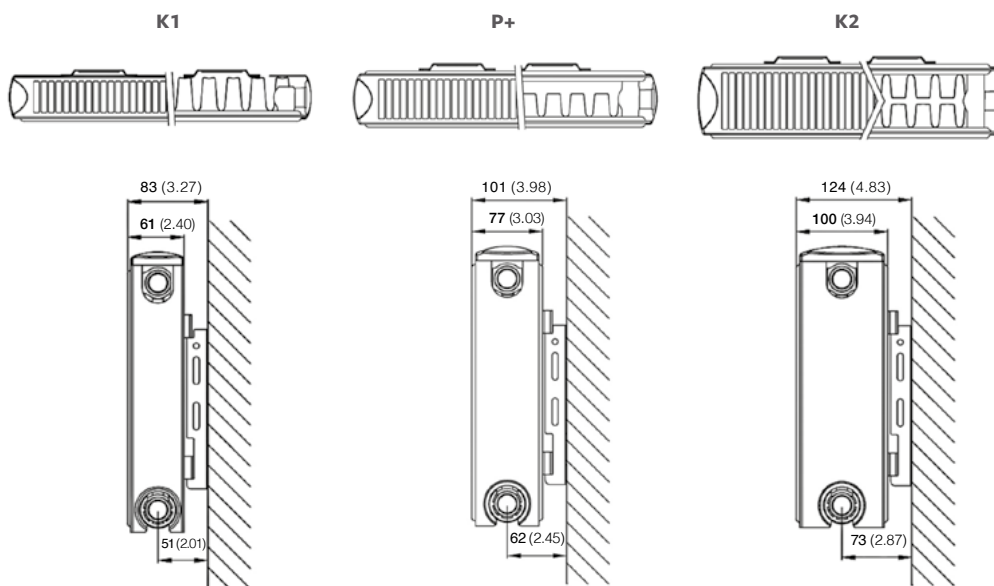
Softline Series

MOUNTING BRACKETS

All dimensions in mm. Inches in brackets.



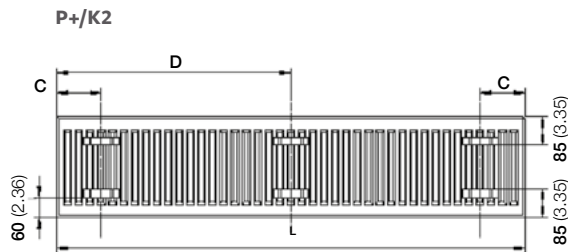
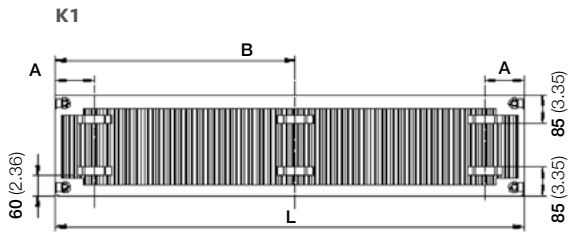
| Dimensions | mm | inches | mm | inches | mm | inches | mm | inches |
|------------|-----|--------|-----|--------|-----|--------|-----|--------|
| Height | 300 | 11.81 | 450 | 17.72 | 600 | 23.62 | 700 | 27.56 |
| A | 65 | 2.56 | 65 | 2.56 | 65 | 2.56 | 65 | 2.56 |
| B | 119 | 4.69 | 99 | 3.90 | 99 | 3.90 | 99 | 3.90 |
| C | - | - | 269 | 10.59 | 419 | 16.50 | 519 | 20.43 |
| D | 153 | 6.02 | 303 | 11.93 | 453 | 17.83 | 553 | 21.77 |
| E | 185 | 7.28 | 335 | 13.19 | 485 | 19.09 | 585 | 23.03 |



SOFTLINE COMPACT

Softline Series

K1, P+ & K2 LUG POSITIONS (New as of June 2016).
All dimensions in mm. Inches in brackets.

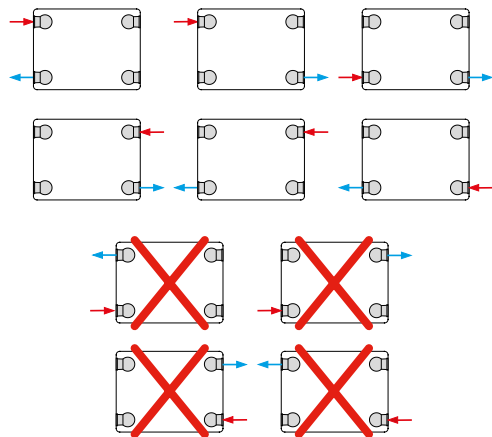


| L | K1 | | | | P+/K2 | | | |
|-------------|-----|------|------------|----|-------|------|-----|----|
| | A | | B | | C | | D | |
| | mm | in | mm | in | mm | in | mm | in |
| 400 | 117 | 4.60 | - | - | 133 | 5.24 | - | - |
| 500 - 1100 | 150 | 5.90 | - | - | 133 | 5.24 | - | - |
| 1200 - 1600 | 150 | 5.90 | - | - | 133 | 5.24 | - | - |
| 1800 - 2000 | 150 | 5.90 | (L/2) + 17 | | 133 | 5.24 | L/2 | |

CONNECTIONS

Each radiator comes with 1/2" inlet connections as standard.

PIPING OPTIONS



SOFTLINE COMPACT

Softline Series

EN 442 CERTIFICATION DATA - CETIAT TESTED IN ACCORDANCE WITH BS EN 442

| Type | K1 | | | | P+ | | K2 | | | |
|---|------|-------|-------|-------|-------|-------|-------|-------|-------|-------|
| | 300 | 450 | 600 | 700 | 450 | 600 | 300 | 450 | 600 | 700 |
| Height | 300 | 450 | 600 | 700 | 450 | 600 | 300 | 450 | 600 | 700 |
| W/m at 75/65/20 | 509 | 756 | 980 | 1117 | 1055 | 1345 | 982 | 1371 | 1732 | 1961 |
| n-coefficients | 1.32 | 1.31 | 1.29 | 1.29 | 1.34 | 1.33 | 1.33 | 1.33 | 1.33 | 1.34 |
| Heated surface area (m ² /m) | 2.09 | 3.37 | 4.66 | 5.51 | 3.84 | 5.24 | 3.51 | 5.62 | 7.74 | 9.15 |
| Weight (kg/m) | 9.31 | 14.51 | 19.70 | 22.90 | 22.04 | 29.80 | 16.80 | 25.90 | 35.00 | 40.53 |
| Water contents (l/m) | 1.89 | 2.57 | 3.25 | 3.77 | 5.15 | 6.60 | 3.70 | 5.15 | 6.60 | 7.63 |
| Wall to tap centre (mm) | 51 | 51 | 51 | 51 | 62 | 62 | 73 | 73 | 73 | 73 |

PRESSURE DROPS

