



SOFTLINE CONCORD VERTICAL

Softline Series

50 Δt

(75/65/20°C)

SINGLE

Height mm	Length mm	Elements	Stelrad UIN	Heat output Watts Btu/hr	
1800	444	6	548340	852	2907
	592	8	548341	1136	3876
	740	10	548342	1420	4845
2000	444	6	548343	942	3214
	592	8	548344	1256	4286
	740	10	548345	1570	5357

DOUBLE

Height mm	Length mm	Elements	Stelrad UIN	Heat output Watts Btu/hr	
1800	444	6	548640	1254	4279
	592	8	548641	1672	5705
	740	10	548642	2090	7131
2000	444	6	548643	1386	4729
	592	8	548644	1848	6306
	740	10	548645	2310	7882

$\Delta t50$ is the UK's industry standard for heating outputs, which has an operating temperature of 75/65/20°C. If you have a low temperature heat source you may wish to consider $\Delta t40$ or $\Delta t30$ output (see your installer or system designer or download from www.stelrad.com).

For EN442 data, technical and installation information please visit our website: www.stelrad.com and search product downloads.

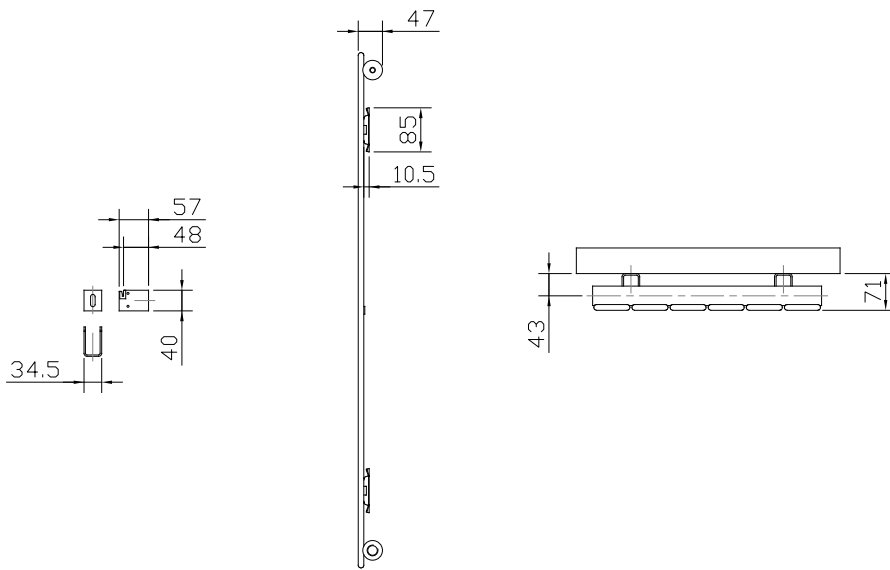
SOFTLINE CONCORD VERTICAL

Softline Series

WALL MOUNTING INFORMATION

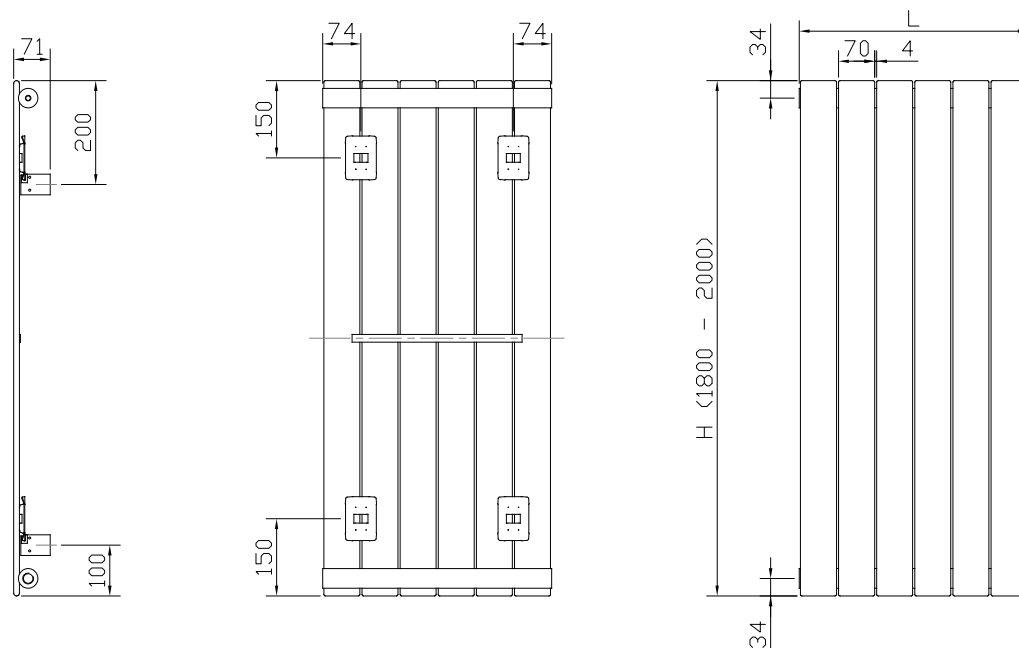
All dimensions in mm.

Type	From back of radiator to wall		From wall to centre of connections		From front of radiator to wall	
	mm	inches	mm	inches	mm	inches
Vertical	24	0.98	43	1.69	71	2.80



FIXING POSITIONS

All dimensions in mm. Inches in brackets.



CONNECTIONS

Each radiator comes with 1/2" inlet connections as standard.

SOFTLINE CONCORD VERTICAL

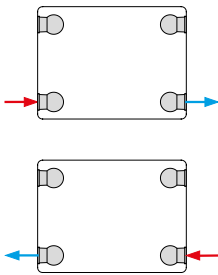
Softline Series

EN 442 CERTIFICATION DATA - CETIAT TESTED IN ACCORDANCE WITH BS EN 442

Type	Vertical	
	1800	2000
Height	1800	2000
W/m at 75/65/20	1846	2041
n-coefficients	1.31	1.31
Heated surface area (m ² /m)	4.01	4.42
Weight (kg/m)	44.2	49.4
Water contents (l/m)	14.3	16.9
Wall to tap centre (mm)	43	43

STEEL THICKNESS 1.25mm

PIPING INSTRUCTIONS



PRESSURE DROPS

