



SOFTLINE COLUMN CONCEPT

Softline Series

50 Δt

(75/65/20°C)

3 COLUMN

Height mm	Length mm	Elements	Stelrad UIN	Watts	Heat output Btu/hr
600	628	13	463133	792	2703
	858	18	463134	1096	3741
	1042	22	463135	1340	4573
	1272	27	463136	1644	5611

4 COLUMN

Height mm	Length mm	Elements	Stelrad UIN	Watts	Heat output Btu/hr
600	628	13	463140	1037	3539
	858	18	463141	1436	4901
	1042	22	463142	1756	5993
	1272	27	463143	2155	7355

Δt_{50} is the UK's industry standard for heating outputs, which has an operating temperature of 75/65/20°C. If you have a low temperature heat source you may wish to consider Δt_{40} or Δt_{30} output (see your installer or system designer or download from www.stelrad.com).

Due to production tolerances, the length of the product and therefore the tap centres could contain a variation of +/- 1.5% of the overall stated length.

For EN442 data, technical and installation information please visit our website: www.stelrad.com and search product downloads.

SOFTLINE COLUMN CONCEPT COMES IN RAL: A7016 ANTHRACITE GREY AND IS AVAILABLE FROM STOCK.

SOFTLINE COLUMN CONCEPT FLOOR MOUNTING BRACKETS



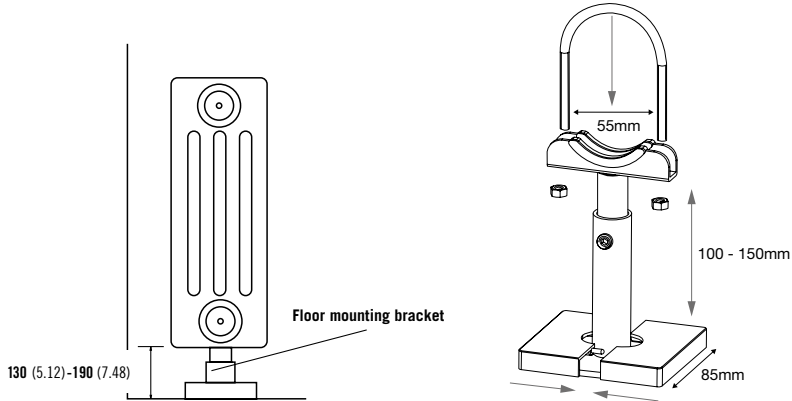
UIN 148138 Anthracite Grey
(sold in pairs)

SOFTLINE COLUMN CONCEPT

Softline Series

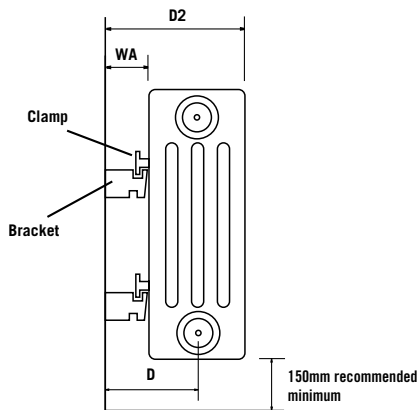
OPTIONAL FLOOR MOUNTING BRACKETS

All dimensions in mm. Inches in brackets.



BRACKET INSTALLATION

All dimensions in mm. Inches in brackets.



MEASUREMENTS USING 10mm CVD BRACKETS SLOT

Add 5mm if using 15mm slot

	WA	D	D2
3 Col	23	73	123
4 Col	23	91	159

BRACKETS AND CLAMPS REQUIRED

	No of Sections
4	0 - 23
6	24 - 41

Number of columns	Wall to centre of connections		Wall to front face of radiator
	Using 10mm bracket slot	Using 15mm bracket slot	
3	73	78	123 or 128
4	91	96	159 or 164

All sizes (approximate) in mm

CONNECTIONS

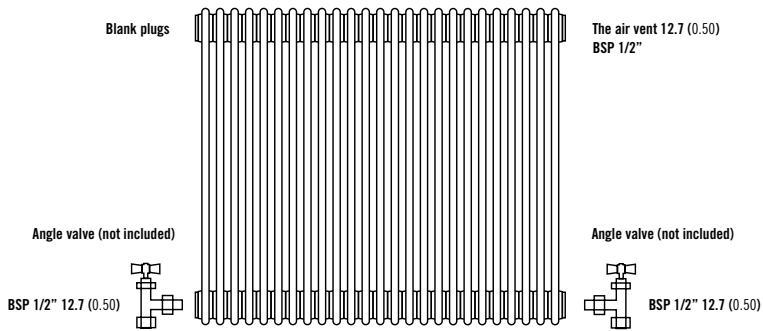
Each radiator comes with 1/2" inlet connections as standard.

SOFTLINE COLUMN CONCEPT

Softline Series

VALVE INSTALLATION

All dimensions in mm. Inches in brackets.



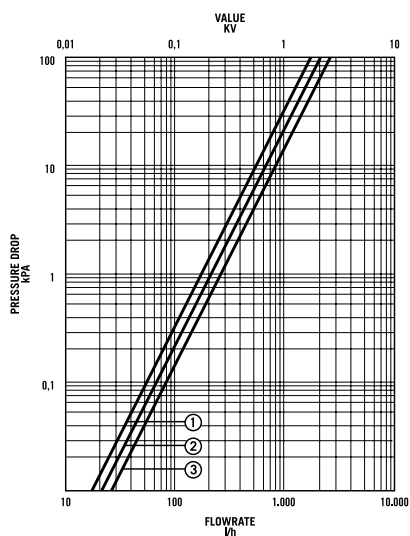
Note: Factory fitted bushes are welded in place and not removable.
If installing TBDE (Top Bottom Opposite End) please note that the radiator MUST be inverted.

EN 442 CERTIFICATION DATA - CETIAT TESTED IN ACCORDANCE WITH BS EN 442

Type	3 Columns	4 Columns
Height	600	600
W/m at 75/65/20	1324	1734
n-coefficients	1.26	1.27
Heated surface area (m ² /m)	3.04	4.13
Weight (kg/m)	30.43	43.48
Water contents (l/m)	19.57	26.09
Wall to tap centre (mm)	73 / 78	91 / 96

Softline Column Concept comes in Anthracite Grey and is available from stock.

PRESSURE DROPS



- ① 2 Column (P1), 11 (K1)
- ② 3 Column (P+), 22 (K2)
- ③ 4 Column (K3)