



# VITA COLUMN CONCEPT

Vita Series

**50  $\Delta t$**   
(75/65/20°C)

### 3 COLUMN

| Height mm  | Length mm | Elements | Stelrad UIN | Watts | Heat output Btu/hr |
|------------|-----------|----------|-------------|-------|--------------------|
| <b>600</b> | 628       | 13       | 463133      | 792   | 2703               |
|            | 858       | 18       | 463134      | 1096  | 3741               |
|            | 1042      | 22       | 463135      | 1340  | 4573               |
|            | 1272      | 27       | 463136      | 1644  | 5611               |

### 4 COLUMN

| Height mm  | Length mm | Elements | Stelrad UIN | Watts | Heat output Btu/hr |
|------------|-----------|----------|-------------|-------|--------------------|
| <b>600</b> | 628       | 13       | 463140      | 1037  | 3539               |
|            | 858       | 18       | 463141      | 1436  | 4901               |
|            | 1042      | 22       | 463142      | 1756  | 5993               |
|            | 1272      | 27       | 463143      | 2155  | 7355               |

$\Delta t50$  is the UK's industry standard for heating outputs, which has an operating temperature of 75/65/20°C. If you have a low temperature heat source you may wish to consider  $\Delta t40$  or  $\Delta t30$  output (see your installer or system designer or download from [www.stelrad.com](http://www.stelrad.com)).

Due to production tolerances, the length of the product and therefore the tap centres could contain a variation of +/- 1.5% of the overall stated length.

For EN442 data, technical and installation information please visit our website: [www.stelrad.com](http://www.stelrad.com) and search product downloads.

**VITA COLUMN CONCEPT COMES IN RAL: A7016 ANTHRACITE GREY AND IS AVAILABLE FROM STOCK.**

#### VITA COLUMN CONCEPT FLOOR MOUNTING BRACKET



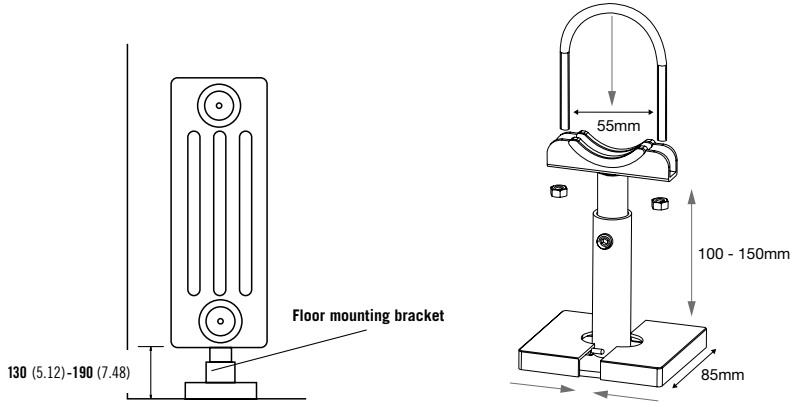
UIN 148138 Anthracite Grey  
(sold in pairs)

# VITA COLUMN CONCEPT

Vita Series

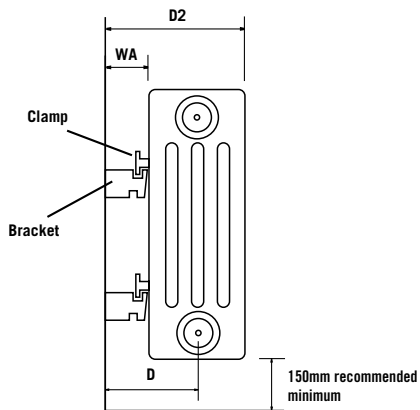
## OPTIONAL FLOOR MOUNTING BRACKETS

All dimensions in mm. Inches in brackets.



## BRACKET INSTALLATION

All dimensions in mm. Inches in brackets.



## MEASUREMENTS USING 10mm CVD BRACKETS SLOT

Add 5mm if using 15mm slot

|       | WA | D  | D2  |
|-------|----|----|-----|
| 3 Col | 23 | 73 | 123 |
| 4 Col | 23 | 91 | 159 |

## BRACKETS AND CLAMPS REQUIRED

|   | No of Sections |
|---|----------------|
| 4 | 0 - 23         |
| 6 | 24 - 41        |

| Number of columns | Wall to centre of connections |                         | Wall to front face of radiator |
|-------------------|-------------------------------|-------------------------|--------------------------------|
|                   | Using 10mm bracket slot       | Using 15mm bracket slot |                                |
| 3                 | 73                            | 78                      | 123 or 128                     |
| 4                 | 91                            | 96                      | 159 or 164                     |

All sizes (approximate) in mm

## CONNECTIONS

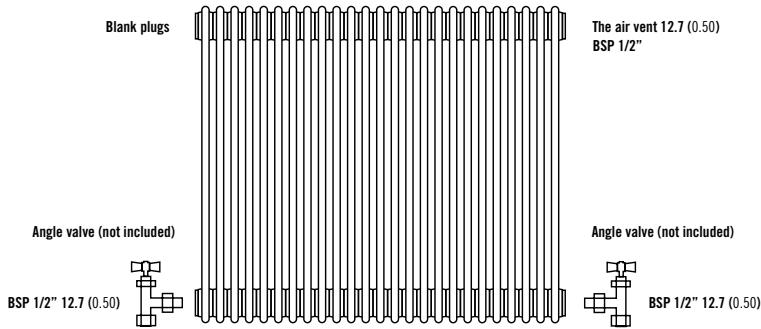
Each radiator comes with 1/2" inlet connections as standard.

# VITA COLUMN CONCEPT

Vita Series

## VALVE INSTALLATION

All dimensions in mm. Inches in brackets.



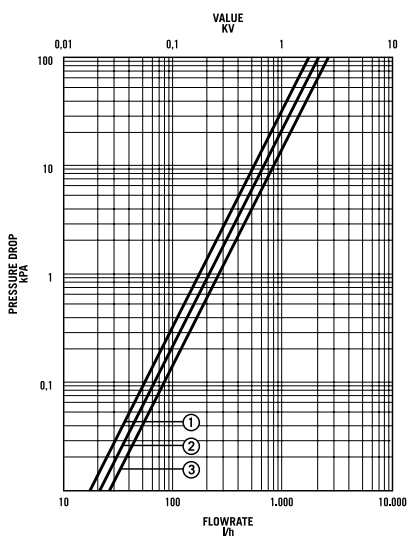
Note: Factory fitted bushes are welded in place and not removable.  
If installing TBOE (Top Bottom Opposite End) please note that the radiator MUST be inverted.

## EN 442 CERTIFICATION DATA - CETIAT TESTED IN ACCORDANCE WITH BS EN 442

| Type                                    | 3 Columns | 4 Columns |
|---|-----------|-----------|
| Height                                  | 600       | 600       |
| W/m at 75/65/20                         | 1324      | 1734      |
| n-coefficients                          | 1.26      | 1.27      |
| Heated surface area (m <sup>2</sup> /m) | 3.04      | 4.13      |
| Weight (kg/m)                           | 30.43     | 43.48     |
| Water contents (l/m)                    | 19.57     | 26.09     |
| Wall to tap centre (mm)                 | 73 / 78   | 91 / 96   |

Vita Column Concept comes in Anthracite Grey and is available from stock.

## PRESSURE DROPS



- ① 2 Column (P1), 11 (K1)
- ② 3 Column (P+), 22 (K2)
- ③ 4 Column (K3)