



# VITA COLUMN VERTICAL

Vita Series

## 50 $\Delta t$

(75/65/20°C)

**2 COLUMN**

Height mm	Length mm	Elements	Stelrad UIN	Watts	Heat output	Btu/hr
<b>1800</b>	352	9	463054	868		2962
	444	9	463055	1116		3809
<b>2000</b>	352	9	463056	966		3297
	444	9	463057	1242		4239
<b>2500</b>	352	9	463058	1197		4085
	444	9	463059	1539		5253

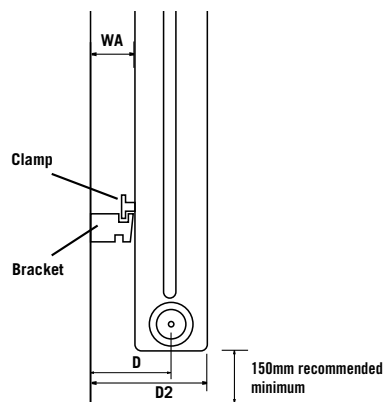
$\Delta t50$  is the UK's industry standard for heating outputs, which has an operating temperature of 75/65/20°C. If you have a low temperature heat source you may wish to consider  $\Delta t40$  or  $\Delta t30$  output (see your installer or system designer or download from [www.stelrad.com](http://www.stelrad.com)).

Due to production tolerances the length of the product and therefore the tap centres could contain a variation of +/- 1.5% of the overall stated length.

For EN442 data, technical and installation information please visit our website: [www.stelrad.com](http://www.stelrad.com) and search product downloads.

### BRACKET INSTALLATION

All dimensions in mm. Inches in brackets.



### MEASUREMENTS USING 10mm

#### CVD BRACKETS SLOT

Add 5mm if using 15mm slot

	WA	D	D2
2 Col	23	54	85

Number of columns	Wall to centre of connections		Wall to front face of radiator
	Using 10mm bracket slot	Using 15mm bracket slot	
2	54	59	85 or 90

### CONNECTIONS

Each radiator comes with 1/2" inlet connections as standard.

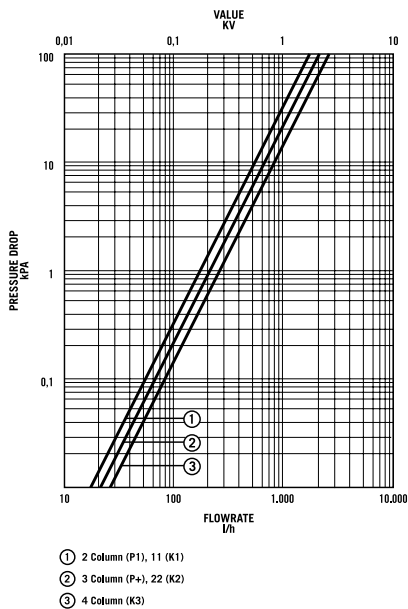
# VITA COLUMN VERTICAL

Vita Series

## EN 442 CERTIFICATION DATA - CETIAT TESTED IN ACCORDANCE WITH BS EN 442

Type	2 Columns	
Height	1800	2000
W/m at 75/65/20	2696	3000
n-coefficients	1.31	1.31
Heated surface area (m <sup>2</sup> /m)	6.09	6.74
Weight (kg/m)	58.70	65.22
Water contents (l/m)	32.61	36.96
Wall to tap centre (mm)	54 / 59	54 / 59

## PRESSURE DROPS

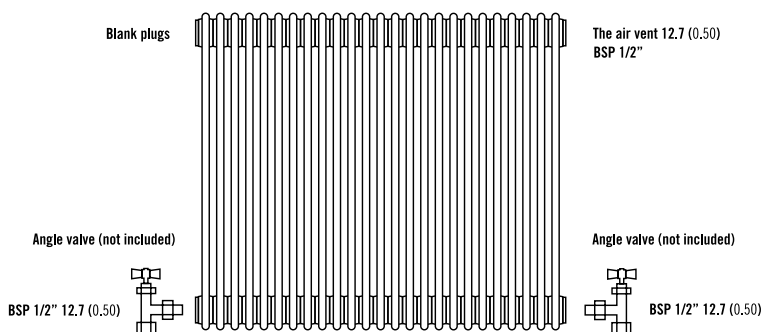


## CONNECTIONS

Each radiator comes with 1/2" inlet connections as standard.

## VALVE INSTALLATION

All dimensions in mm. Inches in brackets.



Note: Factory fitted bushes are welded in place and not removable.  
If installing TBOE (Top Bottom Opposite End) please note that the radiator MUST be inverted.