

The text "ELECTRIC" is in a large, bold, white, sans-serif font, with a registered trademark symbol (®) to its upper right. Below it, the word "SERIES" is in a smaller, white, sans-serif font. The text is enclosed within a white, rounded, diamond-shaped outline that overlaps the lamp and the wall.The word "CLOUD" is written in a white, sans-serif font, positioned inside a dark grey, semi-transparent diamond shape that overlaps the bottom right corner of the image.

The Cloud is a smooth fronted, curved faced steel radiator encasing a natural volcanic stone. Using dry inertia technology, the radiator heats the air in your rooms via a process of convection, offering exceptional warmth and remarkable energy efficiency wrapped up in a single solution.

Corrosion resistant with no fluids or chemicals and with no chance of leaks, this has a high energy efficiency rating due to the stone's natural ability to absorb, hold and radiate heat faster and for longer.

Stelrad UIN	Colour	Height mm	Length mm	Heat output		Electric voltage - Frequency	Stelrad price exc. VAT	Stelrad price inc. VAT
				Power (Watts)	Btu/hr			
E014-0600-0470	White	600	470	700	2390	230V - 50Hz	£242.32	£290.79
E014-0600-0550	White	600	550	1000	3414	230V - 50Hz	£252.39	£302.86
E014-0600-0830	White	600	830	1500	5121	230V - 50Hz	£291.80	£350.16
E014-0600-1040	White	600	1040	2000	6828	230V - 50Hz	£327.67	£393.21
E015-0600-0470	Anthracite	600	470	700	2390	230V - 50Hz	£246.07	£295.28
E015-0600-0550	Anthracite	600	550	1000	3414	230V - 50Hz	£253.33	£304.00
E015-0600-0830	Anthracite	600	830	1500	5121	230V - 50Hz	£292.75	£351.30
E015-0600-1040	Anthracite	600	1040	2000	6828	230V - 50Hz	£328.18	£393.82

Integrated control panel

The colour coordinated push button digital control with an LCD display is located on the top right hand side of the radiator, with numerous functions for efficiency, energy saving and safety in mind.



Installation

This radiator must be wall mounted and must not be installed immediately below or in front of a power socket or in contact with the wall or floor. If installed within a bathroom, the radiator must be mounted outside zone 1 and the switch / electric control must be in zone 3.

For further information, please visit stelrad.com.

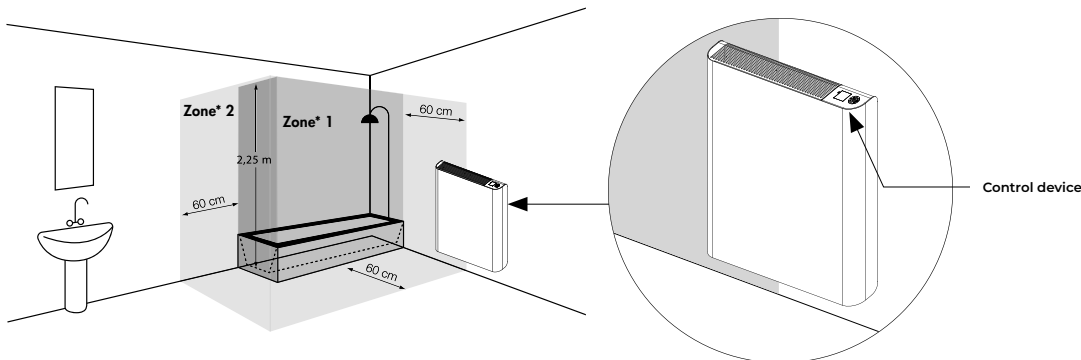


Positioning and installing

- The appliance is designed to heat domestic rooms or similar. It must not be used for other purposes. The appliance must be used permanently mounted on a wall as described in the instructions. Install the appliance with the thermostat at the bottom.
- In bathrooms (with bath or shower), install the appliance outside zone 1. The appliance must be installed in such a way that the electronic controls and other control devices may not be touched by someone in the bath or shower. The appliance must not be connected with a plug.
- This product comes with a 900mm colour coordinated cable (no plug), so it can be spur wired to the heating circuit.
- No need to maintain or service this product once installed. However, should any technical problems arise, contact a qualified professional or your local dealer. All operations on the appliance must be carried out by a qualified professional who before performing maintenance must make sure the appliance is turned off, cold and disconnected from the household mains.

Never install the appliance:


- immediately below or in front of a power socket or a junction box
- in contact with the wall or floor
- near curtains, flammable or combustible materials or pressure vessels.
- Make sure there are no pipes or electric wires in the wall which could be damaged while mounting the appliance.
- The appliance is equipped with a sensor which can detect an open window, if present above the radiator or within the room. For a proper operation, it is strongly recommended to comply to the installation directions reported in Ch. 4.3.2 before wall mounting.



Electrical connection

- To be installed by a specialised engineer in accordance with the applicable standards in the country concerned. When the appliance is installed, make sure the power is off and the mains switch is in the “O” position.
- The appliance requires a 230 V ~ 50 Hz power supply. Make sure the power line is appropriate for the data given the table below.

Voltage: 230 V~ 50 Hz

Insulation class: II 

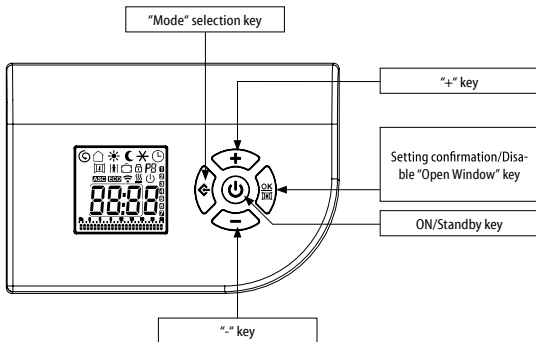
Protection class: IP24

Power [W]	Length [cm]	Height [cm]	Weight [kg]	Rated current [A]
700	47	58	15,5	3
1000	54	58	17,8	4,3
1500	82	58	23	6,5
2000	103	58	30,5	8,6

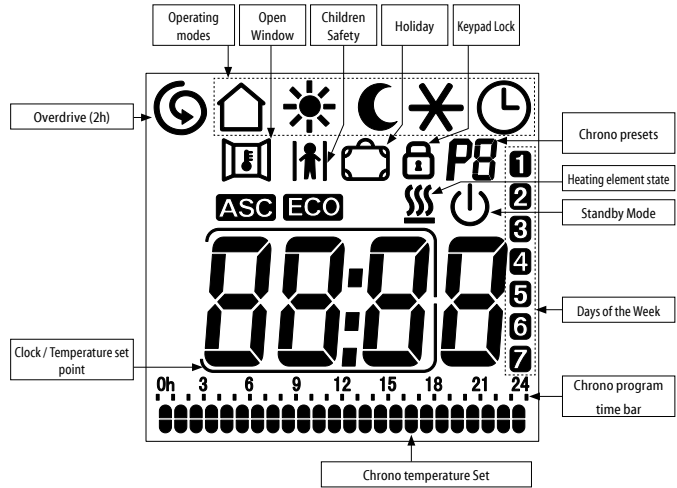
- Make sure the fixed power line is fitted with a disconnecting switch allowing the appliance to be disconnected completely from the household mains, included the Pilot Wire, when present, in accordance with the wiring rules.
- If the appliance is installed in a bathroom, the power line must be fitted with a 30 mA RCD (high sensitivity residual current protection device).
- The power supply line and Pilot Wire control unit must be protected by the same RCD.
- Permanently connected appliances must be connected using a connector block placed within a proper junction box.
- When installing the appliance in damp rooms (kitchen, bathroom), the point of connection with the household mains must be at least 25 cm from the floor.
- If the Pilot Wire is not connected to the programming unit, it must be terminated and insulated. Under no circumstances should the Pilot Wire be connected to the earth.
- Make sure the power cable cannot in any way come into contact with the surface of the appliance.

Control Panel

Controls are push button digital on an LCD display



LCD Display



Operating modes

- Pilot Wire (n/a in the UK)
- Comfort
- Night / Eco
- Anti-freeze
- Chrono
- Energy saving
- Standby

Functions

- Adaptive Start Control
- Open window
- Child safety
- Override
- Holiday
- Keypad lock
- Reset
- Changing set point