

VITA

SERIES

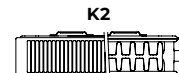
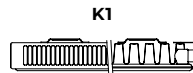


VITA
COMPACT
900

VITA COMPACT 900



50 Δ t
(75/65/20°C)



Height mm	Length mm	Sections	Stelrad UIN	Heat output		Stelrad UIN	Heat output	
				Watts	Btu/hr		Watts	Btu/hr
900	400	12	76901104	544	1856	76902204	958	3269
	500	15	76901105	680	2320	76902205	1198	4088
	600	18	76901106	816	2784	76902206	1437	4903
	700	21	76901107	952	3248	76902207	1677	5722
	800	24	76901108	1088	3712	76902208	1916	6537
	900	27	76901109	1224	4176	76902209	2156	7356
	1000	30	76901110	1360	4640	76902210	2395	8172

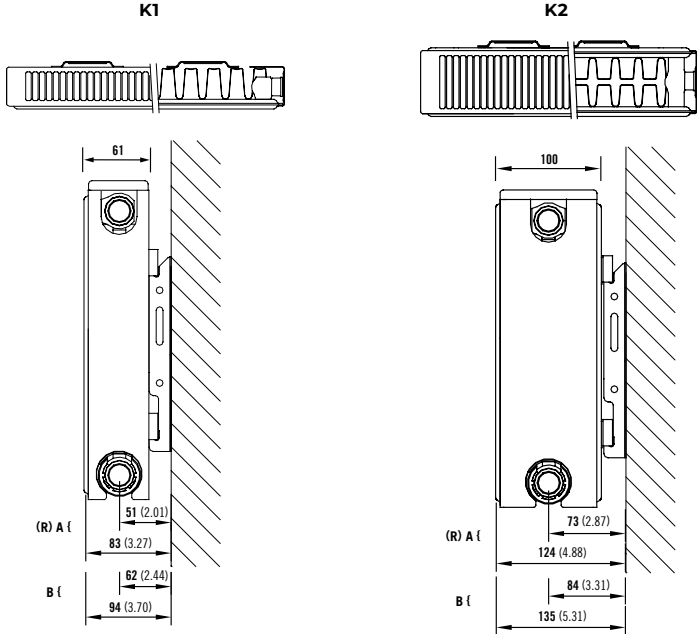
Δ t50 is the UK's industry standard for heating outputs, which has an operating temperature of 75/65/20°C. If you have a low temperature heat source you may wish to consider Δ t40 or Δ t30 output (see your installer or system designer or download from www.stelrad.com).

VITA COMPACT 900



WALL MOUNTING INFORMATION

All dimensions in mm. Inches in brackets.
Floor mounting brackets available.



BRACKET POSITION

A = Closest to wall B = Furthest from wall (R) = Recommended mounting position.

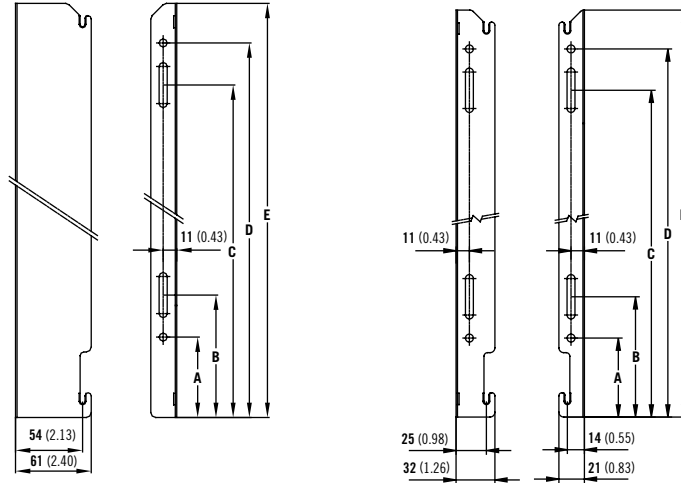
VITA COMPACT 900



COMPACT MOUNTING BRACKETS

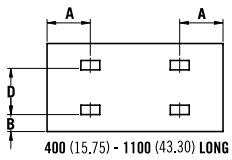
All dimensions in mm. Inches in brackets. Floor mounting brackets available.

Dimensions	mm	inches
Height	900	35.43
A	65	2.56
B	99	3.90
C	719	28.31
D	753	29.65
E	785	30.91



K1 AND K2 LUG POSITIONS

All dimensions in mm. Inches in brackets.



K2

Dimensions	mm	in
A	133	5.24
B	60	2.36

K1

Dimensions	mm	in
A 400mm	117	4.61
A 500 - 3000mm	150	5.91
B 400 - 3000mm	60	2.36
C 1800 - 3000mm	17	0.67

PANEL HEIGHT

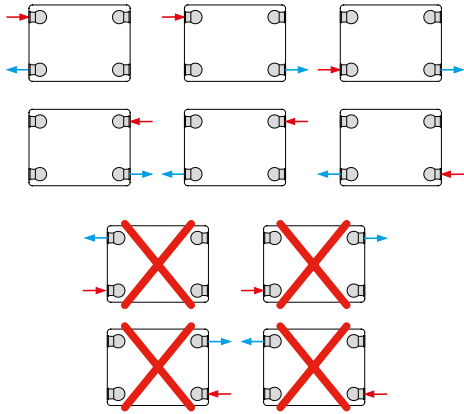
D

mm	in	mm	in
900	35.43	753	29.65

CONNECTIONS

Each radiator comes with ½" inlet connections as standard.

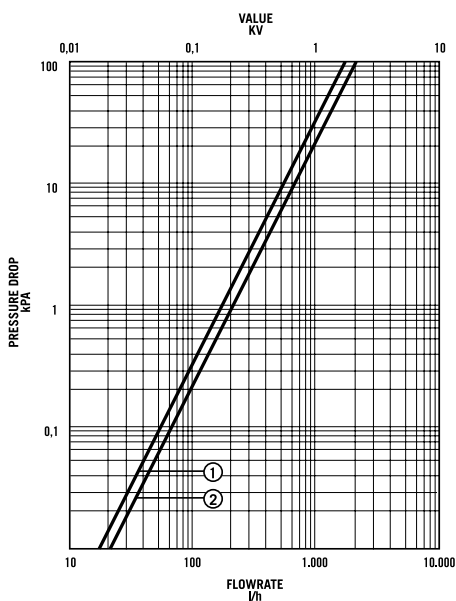
PIPING OPTIONS



EN 442 CERTIFICATION DATA - CETIAT TESTED IN ACCORDANCE WITH BS EN 442

Type	K1	K2
Height	900	900
W/m at 75/65/20	1360	2395
n-coefficients	1.29	1.34
Heated surface area (m ² /m)	7.22	11.97
Weight (kg/m)	29.30	51.60
Water contents (l/m)	4.80	9.70
Wall to tap centre (mm)	51	73

PRESSURE DROPS



- ① Type 11 (K1)
- ② Type 22 (K2)