

# VITA COMPACT

## Vita Series

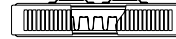
**50 Δt**

(75/65/20°C)

**K1**



**P+**



**K2**



Height mm	Length mm	K1					P+					K2				
		Stelrad UIN	Heat output Watts	Heat output Btu/hr	Price excl VAT	Price incl VAT	Stelrad UIN	Heat output Watts	Heat output Btu/hr	Price excl VAT	Price incl VAT	Stelrad UIN	Heat output Watts	Heat output Btu/hr	Price excl VAT	Price incl VAT
<b>300</b>	500	76301105	247	843	£21.14	£25.37	-	-	-	-	-	76302205	491	1676	£31.53	£37.84
	1000	76301110	494	1686	£34.51	£41.41	-	-	-	-	-	76302210	982	3352	£54.85	£65.82
	1500	76301115	741	2528	£49.08	£58.90	-	-	-	-	-	76302215	1473	5027	£84.28	£101.14
<b>450</b>	400	76451104	286	977	£21.59	£25.91	-	-	-	-	-	76452204	548	1870	£34.31	£41.17
	500	76451105	358	1221	£23.99	£28.79	-	-	-	-	-	76452205	686	2341	£39.82	£47.78
	600	76451106	430	1466	£25.20	£30.24	-	-	-	-	-	76452206	823	2809	£44.11	£52.93
	700	76451107	501	1710	£29.39	£35.27	-	-	-	-	-	76452207	960	3276	£48.03	£57.64
	800	76451108	573	1954	£33.59	£40.31	-	-	-	-	-	76452208	1097	3744	£50.98	£61.18
	900	76451109	644	2199	£37.79	£45.35	-	-	-	-	-	76452209	1234	4212	£55.15	£66.18
	1000	76451110	716	2443	£41.98	£50.38	-	-	-	-	-	76452210	1371	4679	£58.81	£70.57
	1100	76451111	788	2687	£46.18	£55.42	-	-	-	-	-	76452211	1508	5147	£64.71	£77.65
	1200	76451112	859	2932	£50.38	£60.46	-	-	-	-	-	76452212	1645	5614	£70.58	£84.70
	1400	76451114	1002	3420	£58.77	£70.52	-	-	-	-	-	76452214	1920	6550	£90.91	£109.09
<b>600</b>	1600	76451116	1146	3909	£67.17	£80.60	-	-	-	-	-	76452216	2195	7488	£103.89	£124.67
	1800	76451118	1289	4397	£82.05	£98.46	-	-	-	-	-	76452218	2469	8423	£116.90	£140.28
	400	76601104	369	1260	£23.56	£28.27	76602104	538	1836	£31.45	£37.74	76602204	693	2365	£37.43	£44.92
	500	76601105	462	1575	£26.17	£31.40	76602105	673	2297	£36.65	£43.98	76602205	866	2956	£43.45	£52.14
	600	76601106	554	1890	£27.48	£32.98	76602106	807	2754	£40.78	£48.94	76602206	1039	3546	£48.12	£57.74
	700	76601107	646	2204	£32.06	£38.47	76602107	942	3215	£43.83	£52.60	76602207	1212	4137	£52.40	£62.88
	800	76601108	738	2519	£36.64	£43.97	76602108	1076	3672	£50.09	£60.11	76602208	1386	4730	£55.60	£66.72
	900	76601109	831	2834	£41.21	£49.45	76602109	1211	4133	£56.36	£67.63	76602209	1559	5321	£60.14	£72.17
	1000	76601110	923	3149	£45.79	£54.95	76602110	1345	4590	£62.62	£75.14	76602210	1732	5911	£64.16	£76.99
	1100	76601111	1015	3464	£50.38	£60.46	76602111	1480	5051	£68.89	£82.67	76602211	1906	6502	£70.58	£84.70
<b>700</b>	1200	76601112	1108	3779	£54.95	£65.94	76602112	1615	5509	£75.14	£90.17	76602212	2078	7092	£76.98	£92.38
	1400	76601114	1292	4409	£64.12	£76.94	76602114	1884	6427	£87.67	£105.20	76602214	2426	8277	£99.18	£119.02
	1600	76601116	1477	5039	£73.29	£87.95	76602116	2153	7345	£100.20	£120.24	76602216	2772	9457	£113.34	£136.01
	1800	76601118	1661	5669	£89.51	£107.41	-	-	-	-	-	76602218	3119	10642	£127.51	£153.01
	2000	-	-	-	-	-	-	-	-	-	-	76602220	3465	11823	£195.15	£234.18
	400	76701104	421	1436	£32.19	£38.63	-	-	-	-	-	76702204	784	2676	£51.15	£61.38
	500	76701105	526	1795	£35.77	£42.92	-	-	-	-	-	76702205	981	3348	£59.37	£71.24
	600	76701106	631	2154	£37.55	£45.06	-	-	-	-	-	76702206	1177	4017	£65.76	£78.91
	700	76701107	736	2513	£43.82	£52.58	-	-	-	-	-	76702207	1373	4686	£71.60	£85.92
	800	76701108	842	2872	£50.08	£60.10	-	-	-	-	-	76702208	1569	5355	£75.98	£91.18
900	76701109	947	3230	£56.34	£67.61	-	-	-	-	-	76702209	1765	6024	£82.21	£98.65	
1000	76701110	1052	3589	£62.60	£75.12	-	-	-	-	-	76702210	1962	6693	£87.68	£105.22	
1100	76701111	1157	3948	£68.85	£82.62	-	-	-	-	-	76702211	2158	7362	£96.44	£115.73	
1200	76701112	1262	4307	£75.12	£90.14	-	-	-	-	-	76702212	2354	8031	£105.22	£126.26	
1400	76701114	1473	5025	£87.64	£105.17	-	-	-	-	-	76702214	2746	9369	£135.54	£162.65	
1600	76701116	1683	5743	£100.15	£120.18	-	-	-	-	-	76702216	3139	10710	£154.91	£185.89	
1800	76701118	1894	6461	£122.34	£146.81	-	-	-	-	-	76702218	3531	12048	£174.27	£209.12	

Δt50 is the UK's industry standard for heating outputs, which has an operating temperature of 75/65/20°C. If you have a low temperature heat source you may wish to consider Δt40 or Δt30 output (see your installer or system designer or download from [www.stelrad.com](http://www.stelrad.com)).

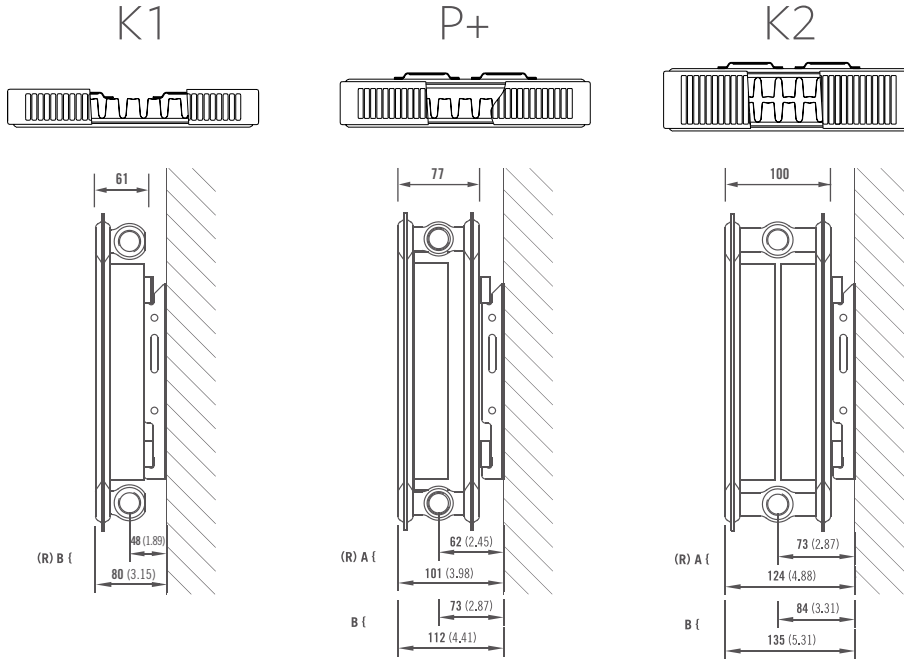
For EN442 data, technical and installation information please visit our website: [www.stelrad.com](http://www.stelrad.com) and search product downloads.

# VITA COMPACT

Vita Series

## WALL MOUNTING AND LUG INFORMATION

All dimensions in mm. Inches in brackets.



**Compact bracket position. A = Closest to wall / B = Furthest from wall / (R) = Recommended mounting position**

*K1 long only - position B. P+ and K2 can be position A or B.*

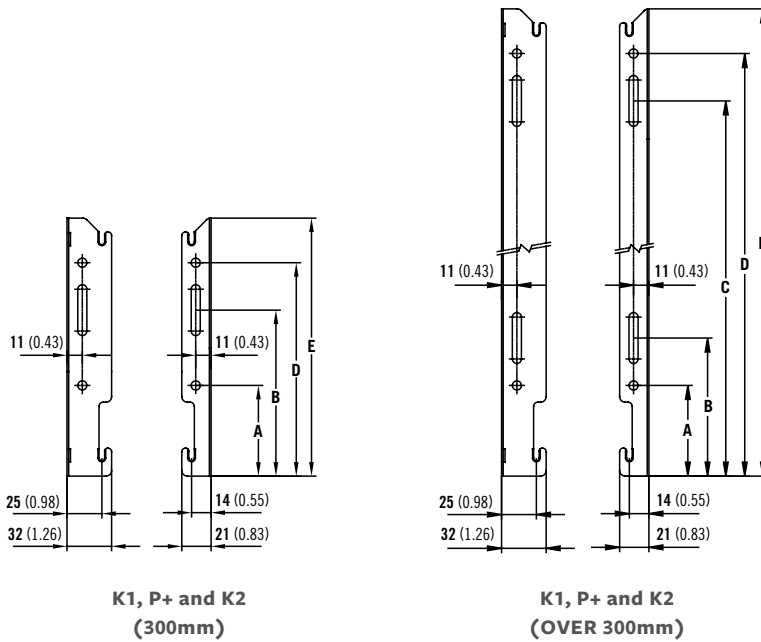
# VITA COMPACT

## Vita Series

### MOUNTING BRACKETS

All dimensions in mm. Inches in brackets.

Floor mounting brackets available.



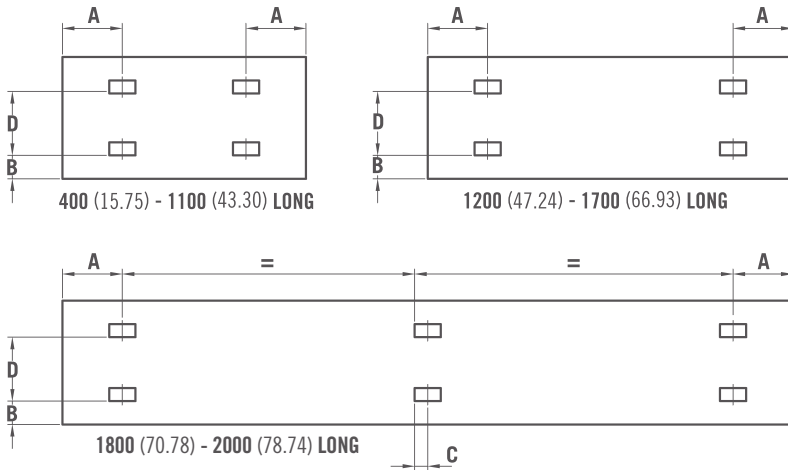
### K1, P+ AND K2 (300mm)

Dimensions	mm	inches	mm	inches	mm	inches	mm	inches
Height	300	11.81	450	17.72	600	23.62	700	27.56
<b>A</b>	65	2.56	65	2.56	65	2.56	65	2.56
<b>B</b>	119	4.69	99	3.90	99	3.90	99	3.90
<b>C</b>	-	-	269	10.59	419	16.50	519	20.43
<b>D</b>	153	6.02	303	11.93	453	17.83	553	21.77
<b>E</b>	185	7.28	335	13.19	485	19.09	585	23.03

# VITA COMPACT

Vita Series

## K1, P+ AND K2 LUG POSITION



### PANEL HEIGHT

mm	in	D	mm	in
300	11.81	155	6.10	
450	17.72	305	12.01	
600	23.62	455	17.91	
700	27.56	555	21.95	

### K1

### P+ & K2

Dimensions	mm	in	mm	in
<b>A</b> 400mm	117	4.61	133	5.24
<b>A</b> 500 - 2000mm	150	5.91	133	5.24
<b>B</b> 400 - 2000mm	60	2.36	60	2.36
<b>C</b> 1800 - 2000mm	17	0.67	L/2	L/2

L/2 is the length divided by two.

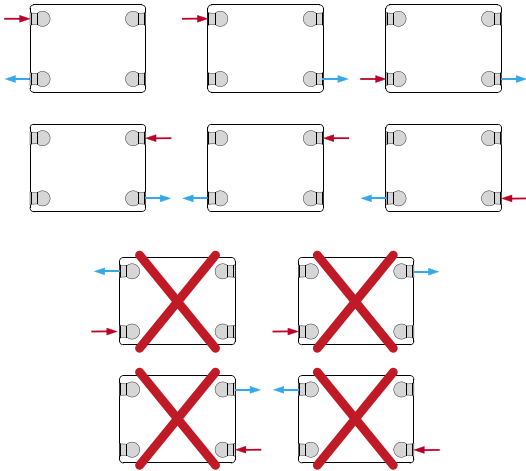
## CONNECTIONS

Each radiator comes with 1/2" inlet connections as standard.

# VITA COMPACT

Vita Series

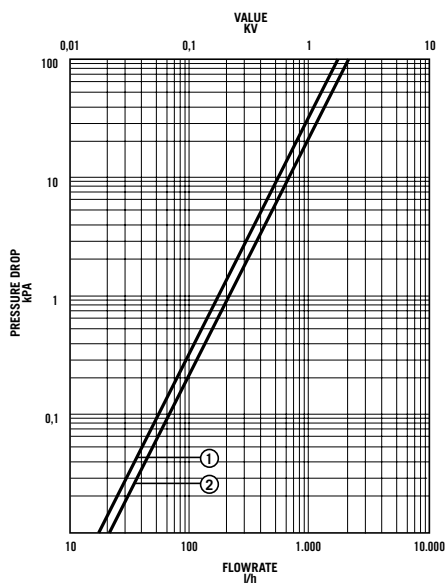
## COMPACT PIPING OPTIONS



## EN 442 CERTIFICATION DATA - CETIAT TESTED IN ACCORDANCE WITH BS EN 442

Type	K1				P+	K2			
Height	300	450	600	700	600	300	450	600	700
W/m at 75/65/20	494	716	923	1052	1345	982	1371	1732	1961
n-coefficients	1.27	1.28	1.29	1.31	1.34	1.33	1.33	1.33	1.34
Heated surface area (m <sup>2</sup> /m)	1.75	2.82	3.87	4.58	5.24	3.51	5.62	7.74	9.15
Weight (kg/m)	8.16	12.80	17.45	20.05	29.8	16.8	25.9	35	40.53
Water contents (l/m)	1.88	2.59	3.30	3.80	6.60	3.70	5.15	6.60	7.63
Wall to tap centre (mm)	48	48	48	48	62	73	73	73	73

## PRESSURE DROP



- ① Type 11 (K1)
- ② Type 21 (P+), 22 (K2)