

CLASSIC COLUMN VERTICAL

Designer Series

50 Δt

(75/65/20°C)

Height mm	Length mm	Elements	Columns	Stelrad UIN	Watts	Heat output Btu/hr
1800	352	7	2	163054	868	2962
	444	9	2	163055	1116	3809
2000	352	7	2	163056	966	3297
	444	9	2	163057	1242	4239
2500	352	7	2	163058	1197	4085
	444	9	2	163059	1539	5253

$\Delta t50$ is the UK's industry standard for heating outputs, which has an operating temperature of 75/65/20°C. If you have a low temperature heat source you may wish to consider $\Delta t40$ or $\Delta t30$ output (see your installer or system designer or download from www.stelrad.com).

Due to production tolerances the length of the product and therefore the tap centres could contain a variation of +/- 1.5% of the overall stated length.

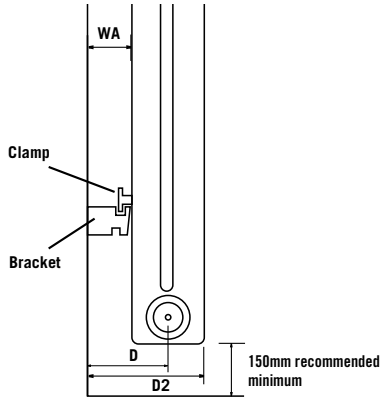
For EN442 data, technical and installation information please visit our website: www.stelrad.com and search product downloads.

CLASSIC COLUMN VERTICAL

Designer Series

BRACKET INSTALLATION

All dimensions in mm. Inches in brackets.



MEASUREMENTS USING 10mm CVD BRACKETS SLOT

Add 5mm if using 15mm slot

	WA	D	D2
2 Col	23	54	85

Number of columns	Wall to centre of connections		Wall to front face of radiator
	Using 10mm bracket slot	Using 15mm bracket slot	
2	54	59	85 or 90

CONNECTIONS

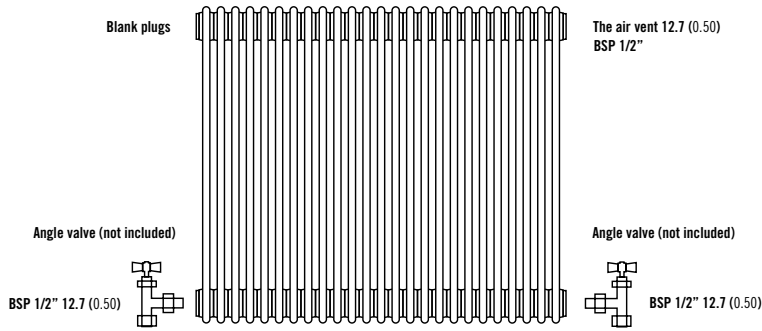
Each radiator comes with 1/2" inlet connections as standard.

CLASSIC COLUMN VERTICAL

Designer Series

VALVE INSTALLATION

All dimensions in mm. Inches in brackets.

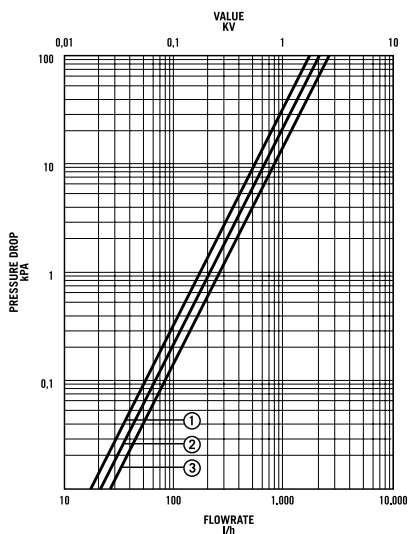


Note: Factory fitted bushes are welded in place and not removable.
If installing TBOE (Top Bottom Opposite End) please note that the radiator **MUST** be inverted.

EN 442 CERTIFICATION DATA - CETIAT TESTED IN ACCORDANCE WITH BS EN 442

Type	2 Columns		
Height	1800	2000	2500
W/m at 75/65/20	2696	3000	3717
n-coefficients	1.31	1.31	1.31
Heated surface area (m ² /m)	6.09	6.74	8.48
Weight (kg/m)	58.70	65.22	80.43
Water contents (l/m)	32.61	36.96	44.72
Wall to tap centre (mm)	54 / 59	54 / 59	54 / 59

PRESSURE DROPS



- ① 2 Column (P1), 11 (K1)
- ② 3 Column (P+), 22 (K2)
- ③ 4 Column (K3)

CONNECTIONS

Each radiator comes with 1/2" inlet connections as standard.

A shade for every room, for every interior. Opt for warm elegance, baroque ambience or modern minimalism.

RAL COLOURS

						
RAL 7035 Pale grey	RAL 7038 Agate grey	RAL 7036 Platinum grey	RAL 7030 Stone grey	RAL 7037 Dusty grey	RAL 7015 Slate grey	RAL 9005* Jet black
						
RAL 8017 Chocolate brown	RAL 1016 Sulphur yellow	RAL 1021 Cadmium yellow	RAL 1004 Dark Golden yellow	RAL 2008 Light red orange	RAL 3000 Flame red	RAL 3003 Ruby red
						
RAL 3005 Wine red	RAL 6027 Light green	RAL 6034 Pastel turquoise	RAL 6019 Pastel green	RAL 6033 Turquoise blue	RAL 6020 Chrome green	RAL 6005 Light moss green
						
RAL 5014 Pigeon blue	RAL 5002 Ultramarine blue	RAL 5024 Pastel blue	RAL 5022 Night blue	RAL 5010 Gentian blue	RAL 9016** Traffic white	RAL 9010† Pure white
						
RAL 9001 Cream	RAL 1013 Pearl white	RAL 1015 Light ivory	RAL 9002 Grey white			

Metallic Colours

		
2765G Metallic silver	BR 0004 Gilded aluminium	BR 0007*** Satin metal grey

Where indicated products are only available in this colour: *Excel **Standard white ***Arc, Wave, Optia.
Where indicated products come as standard in RAL 9010 Pure White: †Esprit, Vistaline & Ellipse.

FOR FURTHER INFORMATION ON RAL COLOURS PLEASE VISIT WWW.RALCOLOR.COM



Stelrad Radiators are available in white (RAL 9016) as standard, however the specific Radiators identified are now available in a variety of colours. The colours shown are reproduced as accurately as this process will allow and can be made to order on the identified products.

All colour radiators have up to an 8 week lead time, and when a coloured radiator or radiators have been ordered they cannot be cancelled or returned.

To request a colour chart please email
marketing@stelrad.com