

STR (STELRAD TOWEL RADIATOR)

Aqua Series

50 Δt

(75/65/20°C)

Height mm	Length mm	Sections	STR2				STR3				STR4						
			Stelrad UIN	Heat output Watts	Heat output Btu/hr	Price excl VAT	Price incl VAT	Stelrad UIN	Heat output Watts	Heat output Btu/hr	Price excl VAT	Price incl VAT	Stelrad UIN	Heat output Watts	Heat output Btu/hr	Price excl VAT	Price incl VAT
645	425	12	140129	419	1430	£153.97	£184.76	-	-	-	-	-	-	-	-	-	-
	625	18	-	-	-	-	-	140130	611	2085	£195.78	£234.94	-	-	-	-	-
745	425	12	-	-	-	-	-	-	-	-	-	-	140022	475	1621	£158.77	£190.52

Height mm	Length mm	Sections	STR6				STR8					
			Stelrad UIN	Heat output Watts	Heat output Btu/hr	Price excl VAT	Price incl VAT	Stelrad UIN	Heat output Watts	Heat output Btu/hr	Price excl VAT	Price incl VAT
745	625	18	140023	693	2365	£205.84	£247.01	-	-	-	-	-
	825	24	-	-	-	-	-	140024	922	3147	£243.51	£292.21

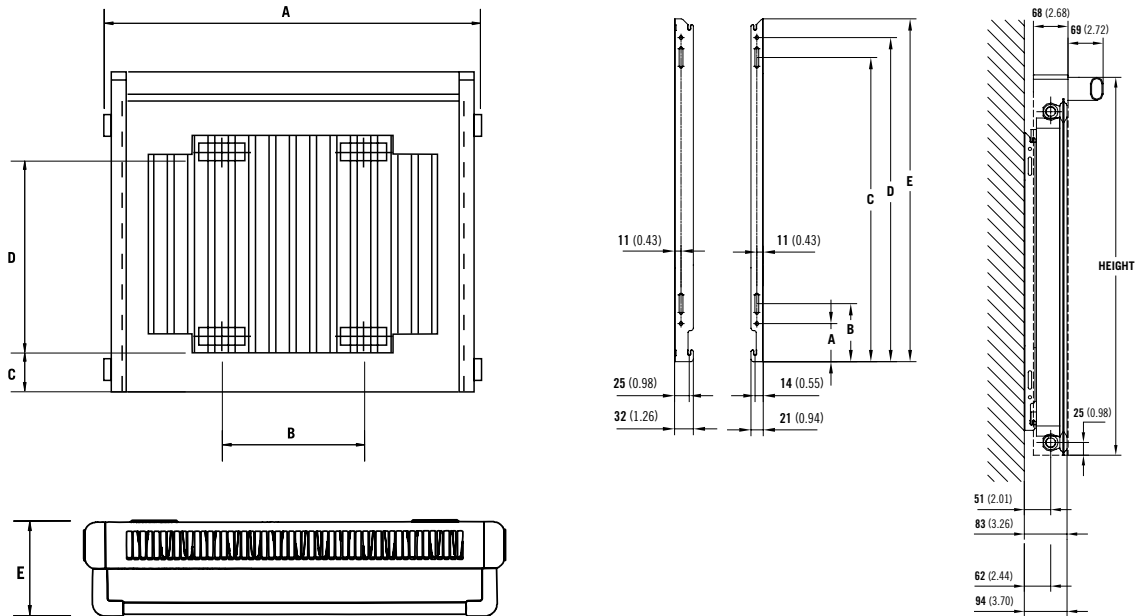
Δt 50 is the UK's industry standard for heating outputs, which has an operating temperature of 75/65/20°C. If you have a low temperature heat source you may wish to consider Δt 40 or Δt 30 output (see your installer or system designer or download from www.stelrad.com).

For EN442 data, technical and installation information please visit our website: www.stelrad.com and search product downloads.

STR (STELRAD TOWEL RADIATOR)

Aqua Series

WALL MOUNTING INFORMATION



STR2

STR3

STR4

STR6

STR8

Dimensions	mm	in	mm	in	mm	in	mm	in	mm	in
A	425	16.73	625	24.60	425	16.73	625	24.60	825	32.48
B	167	6.57	300	11.81	167	6.57	300	11.81	500	19.68
C	60	2.36	60	2.36	60	2.36	60	2.36	60	2.36
D	555	21.85	555	21.85	555	21.85	555	21.85	555	21.85
E	140	5.51	140	5.51	140	5.51	140	5.51	140	5.51

MOUNTING BRACKETS

All dimensions in mm. Inches in brackets.

Dimensions	mm	in	mm	in
	700	27.56	600	23.62
A	65	2.56	65	2.56
B	99	3.90	99	3.90
C	519	20.43	419	16.50
D	553	21.77	453	17.83
E	585	23.03	485	19.09

CONNECTIONS

Each radiator comes with 1/2" inlet connections as standard.

EN 442 CERTIFICATION DATA - CETIAT TESTED IN ACCORDANCE WITH BS EN 442

Type	STR2	STR3	STR4	STR6	STR8
Height	645	645	745	745	745
W/m at 75/65/20	419	611	475	693	922
n-coefficients	1.27	1.27	1.28	1.28	1.28
Heated surface area (m ² /m)	1.86	2.79	2.21	3.31	4.41
Weight (kg/m)	8.72	13.08	9.95	14.92	19.89
Water contents (l/m)	1.32	1.98	1.56	2.34	3.12