

HEAVY DUTY PLANAR

Special Application Series

50 Δt
(75/65/20°C)

K1



K2



Height mm	Length mm	Stelrad UIN	Heat output Watts	Heat output Btu/hr	List Price excl VAT	List Price incl VAT	Stelrad UIN	Heat output Watts	Heat output Btu/hr	List Price excl VAT	List Price incl VAT
450	400	141259	268	915	£185.84	£223.01	141269	500	1705	£235.69	£282.83
	600	141261	403	1376	£214.96	£257.95	141271	750	2559	£279.33	£335.20
	800	141262	537	1834	£240.80	£288.96	141272	999	3410	£331.33	£397.60
	1000	141263	672	2292	£279.55	£335.46	141273	1249	4262	£396.72	£476.06
	1200	141264	806	2751	£306.97	£368.36	141274	1499	5114	£439.64	£527.57
	1400	141265	941	3209	£341.65	£409.98	141275	1749	5967	£498.17	£597.80
	1600	141266	1075	3668	£376.73	£452.08	141276	1999	6819	£554.11	£664.93
	1800	141267	1209	4126	£419.07	£502.88	141277	2248	7672	£615.68	£738.82
	2000	141268	1362	4648	£455.76	£546.91	141278	2546	8686	£676.26	£811.51
600	400	141279	348	1187	£211.62	£253.94	141289	640	2184	£276.16	£331.39
	600	141281	522	1781	£251.52	£301.82	141291	961	3280	£339.41	£407.29
	800	141282	696	2375	£287.97	£345.56	141292	1281	4372	£404.22	£485.06
	1000	141283	870	2968	£338.44	£406.13	141293	1601	5464	£487.95	£585.54
	1200	141284	1044	3562	£375.84	£451.01	141294	1921	6556	£547.25	£656.70
	1400	141285	1218	4156	£420.76	£504.91	141295	2241	7649	£622.76	£747.31
	1600	141286	1392	4750	£466.43	£559.72	141296	2563	8744	£695.60	£834.72
	1800	141287	1566	5343	£520.62	£624.74	141297	2883	9836	£775.69	£930.83
	2000	141288	1740	5937	£567.63	£681.16	141298	3203	10928	£849.84	£1,019.81

Δt 50 is the UK's industry standard for heating outputs, which has an operating temperature of 75/65/20°C. If you have a low temperature heat source you may wish to consider Δt 40 or Δt 30 output (see your installer or system designer or download from www.stelrad.com).

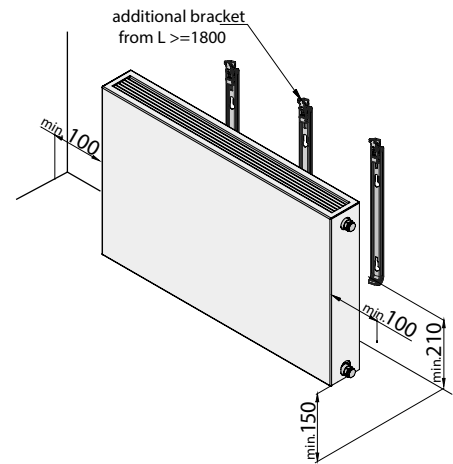
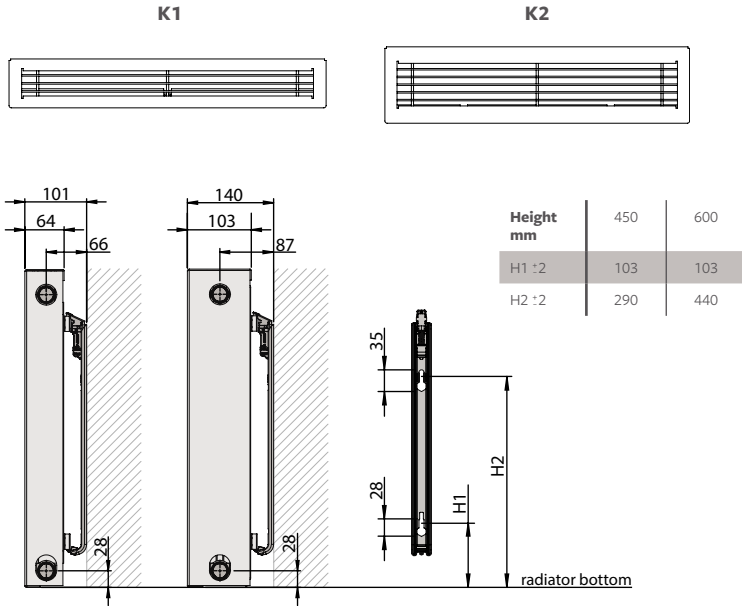
For EN442 data, technical and installation information please visit our website: www.stelrad.com and search product downloads.

HEAVY DUTY PLANAR

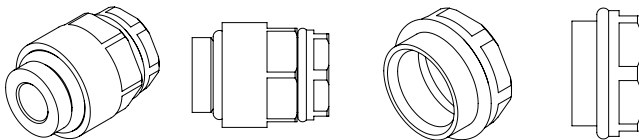
Special Application Series

WALL MOUNTING INFORMATION

All dimensions in mm. Inches in brackets.



EXTENSION PIECE AND AIR VENT IS INCLUDED IN THE HARDWARE PACK



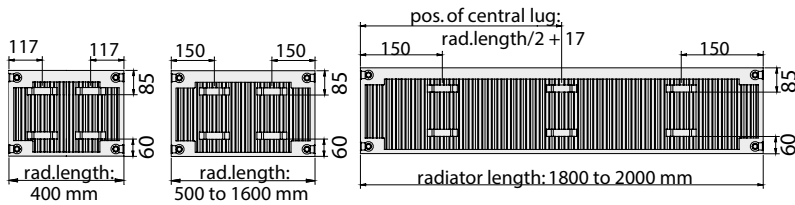
HEAVY DUTY PLANAR

Special Application Series

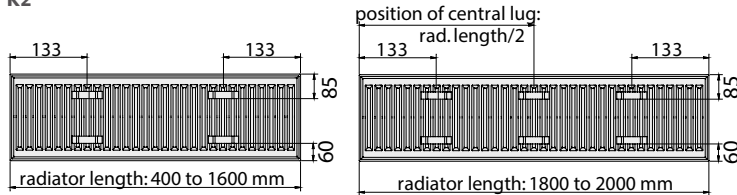
K1 AND K2 LUG POSITIONS

All dimensions in mm. Inches in brackets.

K1



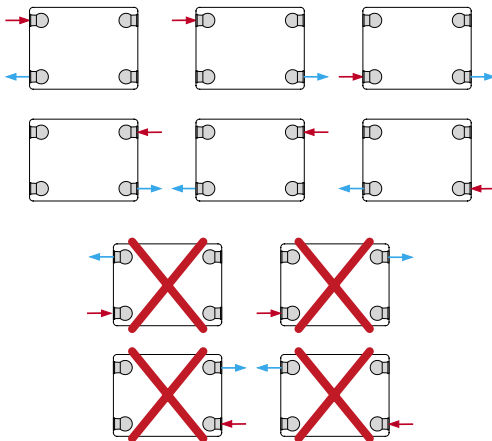
K2



CONNECTIONS

Each radiator comes with 1/2" inlet connections as standard.

PIPING OPTIONS



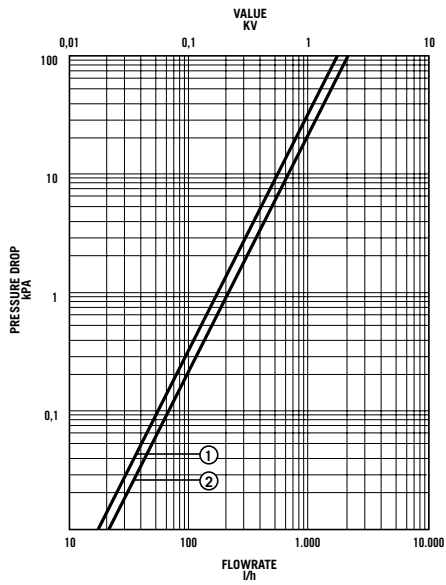
EN 442 CERTIFICATION DATA - CETIAT TESTED IN ACCORDANCE WITH BS EN 442

Type	K1		K2	
Height	450	600	450	600
W/m at 75/65/20	681	870	1273	1601
n-coefficients	1.27	1.28	1.31	1.31
Heated surface area (m ² /m)	3.37	4.66	5.62	7.74
Weight (kg/m)	32.76	37.99	43.86	51.19
Water contents (l/m)	2.53	3.23	4.65	6.20
K _M	4.67	5.89	7.69	9.37

HEAVY DUTY PLANAR

Special Application Series

PRESSURE DROP



- ① Type 10 (P1), 11 (K1)
- ② Type 21 (P+), 22 (K2)