

COMPACT XTRA PROTECTION

Special Application Series

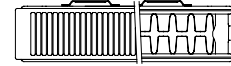
50 Δt

(75/65/20°C)

K1



K2



Height mm	Length mm	Stelrad UIN	Heat output		Price excl VAT	Price incl VAT	Stelrad UIN	Heat output		Price excl VAT	Price incl VAT
			Watts	Btu/hr				Watts	Btu/hr		
450	400	144850	302	1031	£54.24	£65.09	144858	548	1870	£78.28	£93.94
	600	144851	454	1550	£70.38	£84.46	144859	823	2809	£106.43	£127.72
	800	144852	605	2065	£87.01	£104.41	144860	1097	3744	£135.14	£162.17
	1000	144853	756	2580	£103.61	£124.33	144861	1371	4679	£164.09	£196.91
	1200	-	-	-	-	-	144867	1645	5614	£199.24	£239.09
	1400	-	-	-	-	-	144868	1919	6550	£241.92	£290.30
	1600	-	-	-	-	-	144869	2194	7488	£293.75	£352.50
	1800	-	-	-	-	-	144870	2468	8423	£356.68	£428.02
600	400	144854	392	1338	£60.50	£72.60	144862	693	2365	£95.29	£114.35
	600	144855	588	2007	£74.24	£89.09	144863	1039	3546	£129.22	£155.06
	800	144856	784	2676	£96.26	£115.51	144864	1386	4730	£168.00	£201.60
	1000	144857	980	3345	£118.24	£141.89	144865	1732	5911	£203.45	£244.14
	1200	-	-	-	-	-	144871	2078	7092	£246.38	£295.66
	1400	-	-	-	-	-	144872	2425	8277	£298.37	£358.04
	1600	-	-	-	-	-	144873	2771	9457	£361.33	£433.60
	1800	-	-	-	-	-	144874	3118	10642	£437.57	£525.08

$\Delta t50$ is the UK's industry standard for heating outputs, which has an operating temperature of 75/65/20°C. If you have a low temperature heat source you may wish to consider $\Delta t40$ or $\Delta t30$ output (see your installer or system designer or download from www.stelrad.com).

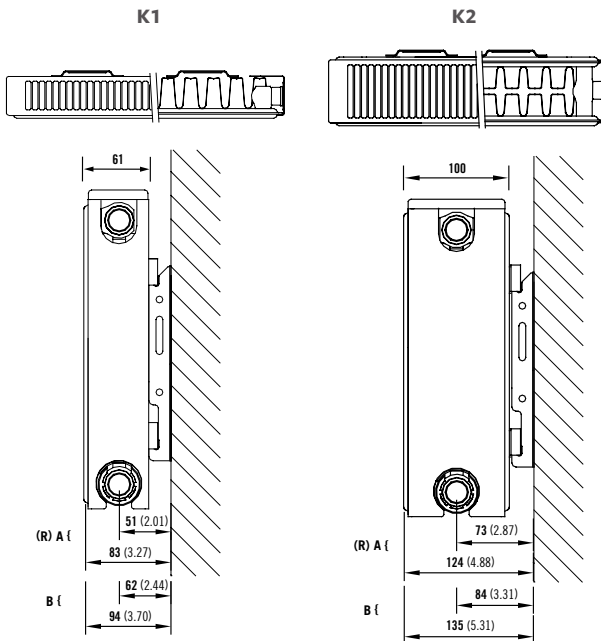
For EN442 data, technical and installation information please visit our website: www.stelrad.com and search product downloads.

COMPACT XTRA PROTECTION

Special Application Series

WALL MOUNTING INFORMATION

All dimensions in mm. Inches in brackets.
Floor mounting brackets available.

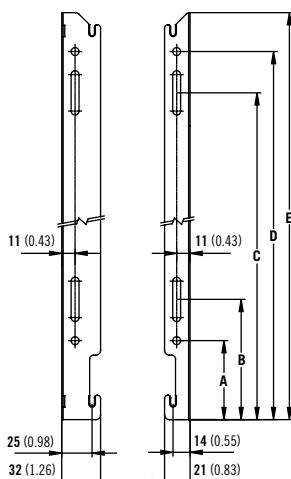


BRACKET POSITION

A = Closest to wall B = Furthest from wall (R) = Recommended mounting position.

COMPACT MOUNTING BRACKETS

All dimensions in mm. Inches in brackets. Floor mounting brackets available.



K1 and K2

Dimensions	mm	inches	mm	inches
Height	450	17.72	600	23.62
A	65	2.56	65	2.56
B	99	3.90	99	3.90
C	269	10.59	419	16.50
D	303	11.93	453	17.83
E	335	13.19	485	19.09

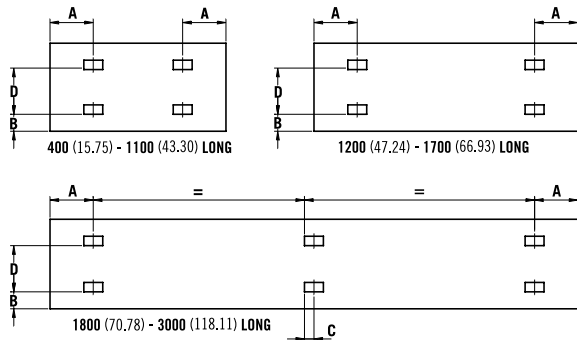
Additional Zinc coating to the emitter provides extra protection and helps prevent corrosion and rust, without compromising the heat output.

COMPACT XTRA PROTECTION

Special Application Series

K1 AND K2 LUG POSITIONS

All dimensions in mm. Inches in brackets.



K2

Dimensions	mm	in
A	133	5.24
B	60	2.36

K1

Dimensions	mm	in
A 400mm	117	4.61
A 500 - 3000mm	150	5.91
B 400 - 3000mm	60	2.36
C 1800 - 3000mm	17	0.67

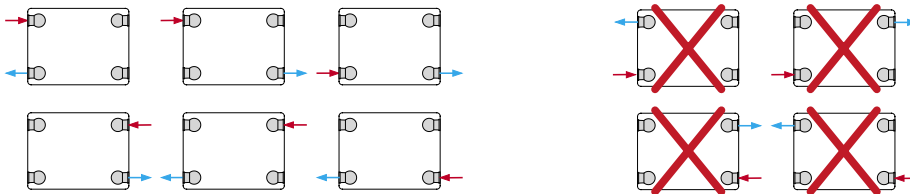
PANEL HEIGHT D

mm		in	
300	11.81	155	6.10
450	17.72	305	12.01
600	23.62	455	17.91
700	27.56	555	21.95

CONNECTIONS

Each radiator comes with 1/2" inlet connections as standard.

PIPING OPTIONS



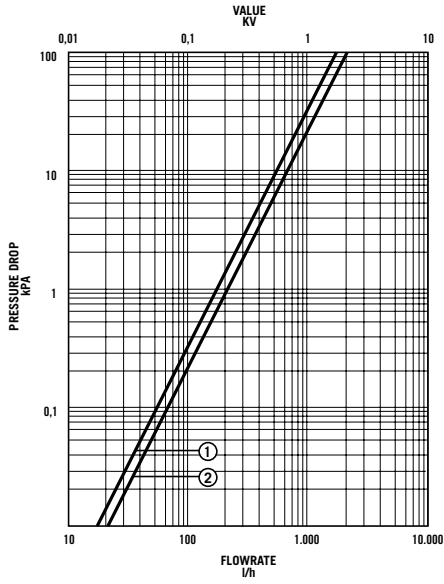
EN 442 CERTIFICATION DATA - CETIAT TESTED IN ACCORDANCE WITH BS EN 442

Type	K1		K2	
Height	450	600	450	600
W/m at 75/65/20	756	980	1371	1732
n-coefficients	1.31	1.29	1.33	1.33
Heated surface area (m ² /m)	3.37	4.66	5.62	7.74
Weight (kg/m)	14.51	19.70	25.90	35.00
Water contents (l/m)	2.57	3.25	5.15	6.60
Wall to tap centre (mm)	51	51	73	73

COMPACT XTRA PROTECTION

Special Application Series

PRESSURE DROPS



- ① Type 10 (P1), 11 (K1)
- ② Type 21 (P+), 22 (K2)