

# VITA COLUMN HORIZONTAL

## Vita Series

**50  $\Delta t$**

(75/65/20°C)

Height mm	Length mm	Elements	Columns	Stelrad UIN	Heat output		Price excl VAT	Price incl VAT
					Watts	Btu/hr		
<b>300</b>	858	18	3	463002	576	1966	£190.69	£228.83
	1042	22	3	463003	704	2403	£222.48	£266.98
<b>500</b>	628	13	2	463012	499	1703	£127.13	£152.56
	858	18	2	463013	691	2358	£158.92	£190.70
	628	13	3	463017	671	2290	£139.85	£167.82
	858	18	3	463018	929	3171	£171.62	£205.94
	1042	22	3	463019	1135	3874	£235.19	£282.23
	1272	27	3	463020	1393	4754	£311.47	£373.76
	628	13	2	463028	589	2010	£139.85	£167.82
<b>600</b>	858	18	2	463029	815	2782	£158.92	£190.70
	1042	22	2	463030	997	3403	£203.41	£244.09
	1272	27	2	463031	1223	4174	£260.61	£312.73
	628	13	3	463033	792	2703	£152.55	£183.06
	858	18	3	463034	1096	3741	£177.98	£213.58
	1042	22	3	463035	1340	4573	£203.41	£244.09
	1272	27	3	463036	1644	5611	£273.33	£328.00
	628	13	4	463040	1037	3539	£158.92	£190.70
	858	18	4	463041	1436	4901	£203.41	£244.09
	1042	22	4	463042	1756	5993	£260.61	£312.73
	1272	27	4	463043	2155	7355	£311.47	£373.76

$\Delta t$ 50 is the UK's industry standard for heating outputs, which has an operating temperature of 75/65/20°C. If you have a low temperature heat source you may wish to consider  $\Delta t$ 40 or  $\Delta t$ 30 output (see your installer or system designer or download from [www.stelrad.com](http://www.stelrad.com)).

Due to production tolerances the length of the product and therefore the tap centres could contain a variation of +/- 1.5% of the overall stated length.

For EN442 data, technical and installation information please visit our website: [www.stelrad.com](http://www.stelrad.com) and search product downloads.

### VITA COLUMN HORIZONTAL FLOOR MOUNTING BRACKETS



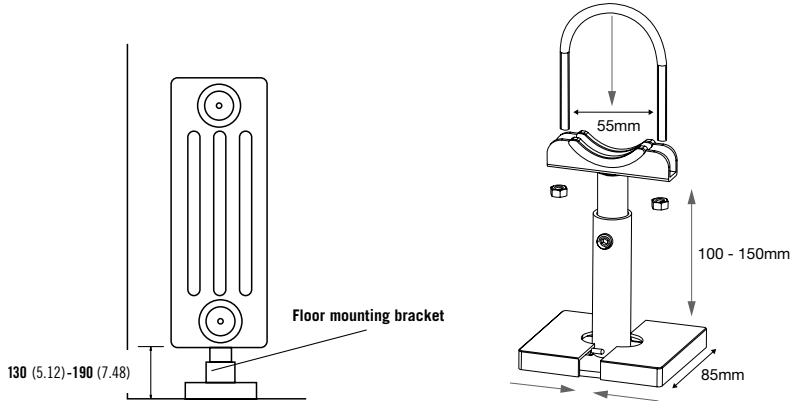
UIN 148137 White  
(sold in pairs)

# VITA COLUMN HORIZONTAL

Vita Series

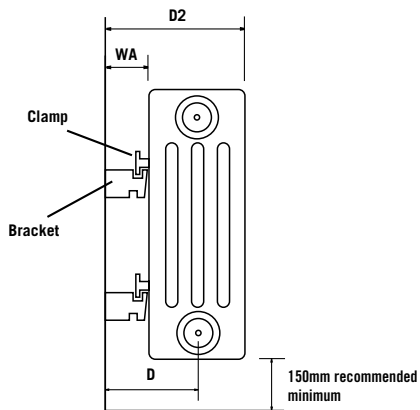
## OPTIONAL FLOOR MOUNTING BRACKETS

All dimensions in mm. Inches in brackets.



## BRACKET INSTALLATION

All dimensions in mm. Inches in brackets.



## MEASUREMENTS USING 10mm CVD BRACKETS SLOT

Add 5mm if using 15mm slot

	WA	D	D2
2 Col	23	54	85
3 Col	23	73	123
4 Col	23	91	159

## BRACKETS AND CLAMPS REQUIRED

	No of Sections
4	0 - 23
6	24 - 41

Number of columns	Wall to centre of connections		Wall to front face of radiator
	Using 10mm bracket slot	Using 15mm bracket slot	
2	54	59	85 or 90
3	73	78	123 or 128
4	91	96	159 or 164

All sizes (approximate) in mm

## CONNECTIONS

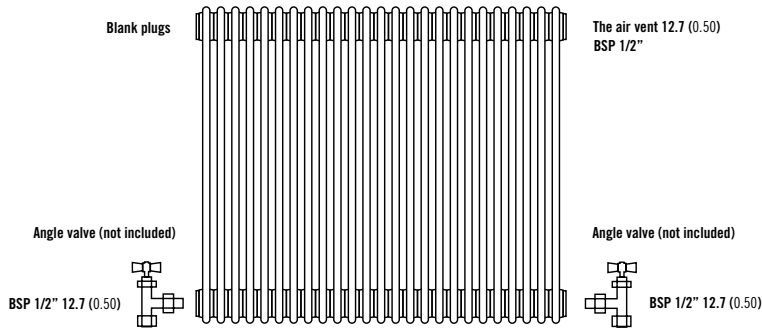
Each radiator comes with 1/2" inlet connections as standard.

# VITA COLUMN HORIZONTAL

Vita Series

## VALVE INSTALLATION

All dimensions in mm. Inches in brackets.

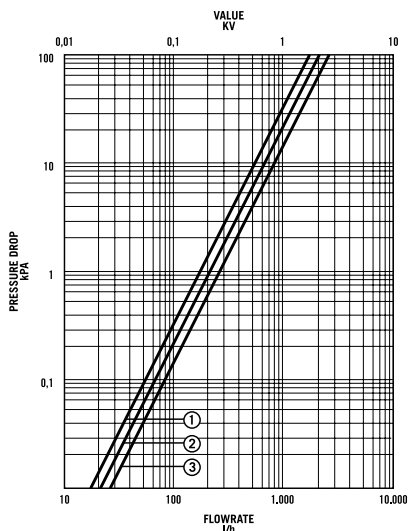


Note: Factory fitted bushes are welded in place and not removable.  
If installing TBOE (Top Bottom Opposite End) please note that the radiator MUST be inverted.

## EN 442 CERTIFICATION DATA - CETIAT TESTED IN ACCORDANCE WITH BS EN 442

Type	2 Columns		3 Columns			4 Columns
Height	500	600	300	500	600	600
W/m at 75/65/20	835	985	696	1122	1324	1734
n-coefficients	1.25	1.25	1.25	1.25	1.26	1.27
Heated surface area (m <sup>2</sup> /m)	1.52	1.96	1.52	2.39	3.04	4.13
Weight (kg/m)	17.39	21.74	15.22	26.09	30.43	43.48
Water contents (l/m)	10.87	13.04	13.04	17.39	19.57	26.09
Wall to tap centre (mm)	54 / 59	54 / 59	73 / 78	73 / 78	73 / 78	91 / 96

## PRESSURE DROPS



- ① 2 Column (P1), 11 (K1)
- ② 3 Column (P+), 22 (K2)
- ③ 4 Column (K3)