

### 50 $\Delta t$

(75/65/20°C)

K1



K2



Height mm	Length mm	Stelrad UIN	Heat output		Price excl VAT	Price incl VAT	Stelrad UIN	Heat output		Price excl VAT	Price incl VAT
			Watts	Btu/h				Watts	Btu/h		
<b>300</b>	500	81301105	235	802	£53.92	£64.70	81302205	465	1587	£80.39	£96.47
	1000	81301110	469	1601	£88.01	£105.61	81302210	929	3171	£139.89	£167.87
	1500	81301115	704	2401	£125.17	£150.20	81302215	1394	4756	£214.92	£257.90
<b>450</b>	400	81451104	268	915	£55.06	£66.07	81452204	500	1705	£87.50	£105.00
	600	81451106	403	1376	£64.24	£77.09	81452206	750	2559	£112.47	£134.96
	800	81451108	537	1834	£85.64	£102.77	81452208	999	3410	£129.96	£155.95
	1000	81451110	672	2292	£107.06	£128.47	81452210	1249	4262	£149.96	£179.95
	1200	81451112	806	2751	£128.47	£154.16	81452212	1499	5114	£179.97	£215.96
	1400	81451114	941	3209	£149.89	£179.87	81452214	1749	5967	£231.82	£278.18
	1600	81451116	1075	3668	£171.30	£205.56	81452216	1999	6819	£264.93	£317.92
	1800	81451118	1209	4126	£209.22	£251.06	81452218	2248	7672	£298.08	£357.70
<b>600</b>	400	81601104	348	1188	£60.04	£72.05	81602204	640	2184	£95.44	£114.53
	600	81601106	522	1782	£70.08	£84.10	81602206	961	3280	£122.69	£147.23
	800	81601108	696	2375	£93.42	£112.10	81602208	1281	4372	£141.81	£170.17
	1000	81601110	870	2969	£116.79	£140.15	81602210	1601	5464	£163.62	£196.34
	1200	81601112	1044	3563	£140.12	£168.14	81602212	1921	6556	£196.32	£235.58
	1400	81601114	1218	4157	£163.51	£196.21	81602214	2242	7649	£252.91	£303.49
	1600	81601116	1392	4751	£186.87	£224.24	81602216	2563	8744	£289.03	£346.84
	1800	81601118	1566	5345	£228.23	£273.88	81602218	2883	9836	£325.15	£390.18
	2000	81601120	1740	5939	£234.10	£280.92	81602220	3203	10928	£497.64	£597.17

$\Delta t50$  is the UK's industry standard for heating outputs, which has an operating temperature of 75/65/20°C. If you have a low temperature heat source you may wish to consider  $\Delta t40$  or  $\Delta t30$  output (see your installer or system designer or download from [www.stelrad.com](http://www.stelrad.com)).

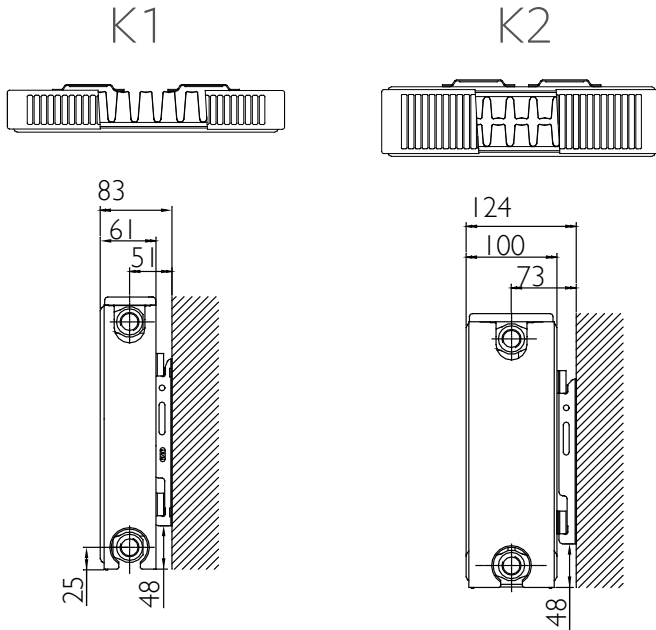
For EN442 data, technical and installation information please visit our website: [www.stelrad.com](http://www.stelrad.com) and search product downloads.

# VITA PLAN

## Vita Series

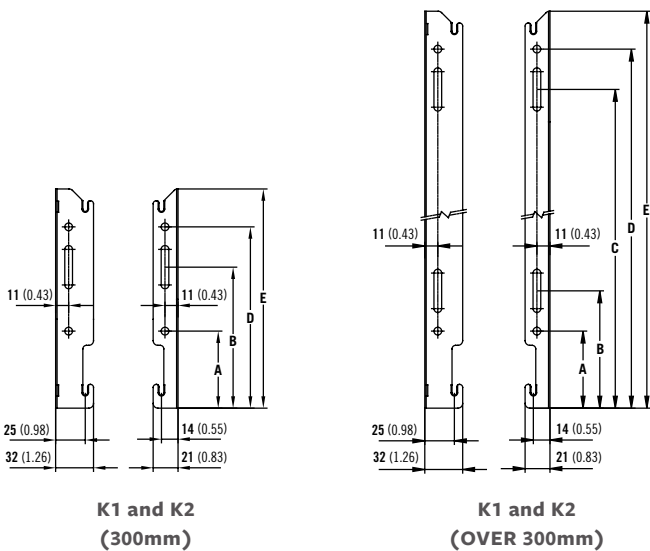
### WALL MOUNTING AND LUG INFORMATION

All dimensions in mm. Inches in brackets.



### MOUNTING BRACKETS

All dimensions in mm. Inches in brackets. Floor mounting brackets available.



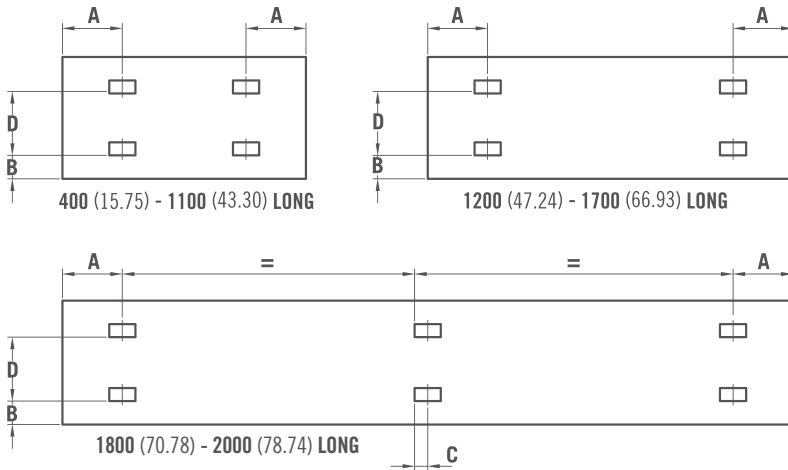
Dimensions	mm	inches	mm	inches	mm	inches
Height	300	11.81	450	17.72	600	23.62
<b>A</b>	65	2.56	65	2.56	65	2.56
<b>B</b>	119	4.69	99	3.90	99	3.90
<b>C</b>	-	-	269	10.59	419	16.50
<b>D</b>	153	6.02	303	11.93	453	17.83
<b>E</b>	185	7.28	335	13.19	485	19.09

# VITA PLAN

## Vita Series

### K1 & K2 LUG POSITIONS (New as of June 2016).

All dimensions in mm. Inches in brackets.



### PANEL HEIGHT

D		D	
mm	in	mm	in
300	11.81	155	6.10
450	17.72	305	12.01
600	23.62	455	17.91
700	27.56	555	21.95

### K1

### K2

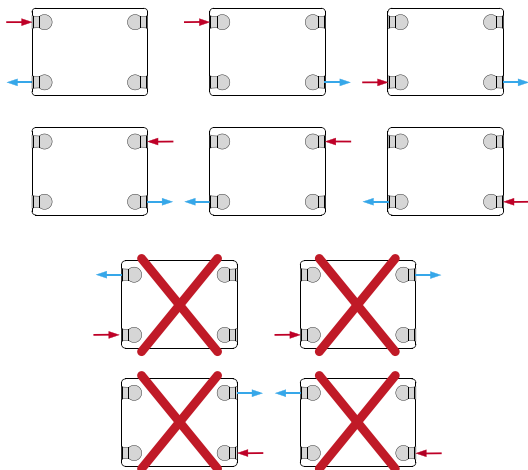
Dimensions	mm	in	mm	in
A 400mm	117	4.61	133	5.24
A 500 - 2000mm	150	5.91	133	5.24
B 400 - 2000mm	60	2.36	60	2.36
C 1800 - 2000mm	17	0.67	L/2	L/2

L/2 is the length divided by two.

### CONNECTIONS

Each radiator comes with 1/2" inlet connections as standard.

### PIPING OPTIONS



### EN 442 CERTIFICATION DATA - CETIAT TESTED IN ACCORDANCE WITH BS EN 442

Type	K1			K2		
	300	450	600	300	450	600
Height	300	450	600	300	450	600
W/m at 75/65/20	469	701	911	929	1296	1634
n-coefficients	1.30	1.29	1.28	1.30	1.31	1.32
Heated surface area (m <sup>2</sup> /m)	2.09	3.37	4.66	3.51	5.62	7.74
Weight (kg/m)	11.88	18.26	24.65	19.60	29.80	40.00
Water contents (l/m)	1.89	2.49	3.25	3.70	5.05	6.60
Wall to tap centre (mm)	51	51	51	73	73	73

### PRESSURE DROP

