



SOFTLINE COLUMN HORIZONTAL

SOFTLINE COLUMN HORIZONTAL

Softline Series

50 Δt

(75/65/20°C)

2 COLUMN

Height mm	Length mm	Stelrad UIN	Heat output		Price excl VAT	Price incl VAT
			Watts	Btu/h		
500	628	563012	499	1,703	£135.20	£162.24
	858	563013	691	2,358	£166.40	£199.68
	1042	563014	845	2,884	£217.30	£260.76
	1272	563015	1,037	3,539	£268.63	£322.36
600	628	563028	589	2,010	£145.60	£174.72
	858	563029	815	2,782	£166.40	£199.68
	1042	563030	997	3,403	£213.20	£255.84
	1272	563031	1,223	4,174	£275.60	£330.72

3 COLUMN

4 COLUMN

Height mm	Length mm	Stelrad UIN	Heat output		Price excl VAT	Price incl VAT	Length mm	Stelrad UIN	Heat output		Price excl VAT	Price incl VAT
			Watts	Btu/hr					Watts	Btu/hr		
300	444	563000	288	983	£117.45	£140.94	444	563007	377	1,287	£151.34	£181.61
	628	563001	416	1,420	£151.99	£182.99	628	563008	545	1,860	£181.42	£217.70
	858	563002	576	1,966	£202.80	£243.36	858	563009	754	2,573	£221.90	£266.28
	1042	563003	704	2,403	£234.00	£280.80	1042	563010	922	3,147	£269.71	£323.65
	1272	563004	864	2,949	£280.82	£336.98	1272	563011	1,131	3,860	£323.47	£388.16
	1456	563005	992	3,386	£330.17	£396.20	-	-	-	-	-	-
	1870	563006	1,280	4,369	£431.78	£518.14	-	-	-	-	-	-
500	444	563016	464	1,584	£125.12	£150.14	444	563023	608	2,075	£158.39	£190.07
	628	563017	671	2,290	£145.60	£174.72	628	563024	879	3,000	£170.66	£204.79
	858	563018	929	3,171	£182.00	£218.40	858	563025	1,217	4,154	£207.14	£248.57
	1042	563019	1,135	3,874	£244.40	£293.28	1042	563026	1,487	5,075	£264.90	£317.88
	1272	563020	1,393	4,754	£327.60	£393.12	1272	563027	1,825	6,229	£324.08	£388.90
	1456	563021	1,600	5,461	£354.50	£425.40	-	-	-	-	-	-
	1870	563022	2,064	7,044	£435.63	£522.72	-	-	-	-	-	-
600	444	563032	548	1,870	£148.95	£178.74	444	563039	718	2,451	£155.36	£186.43
	628	563033	792	2,703	£161.20	£193.44	628	563040	1,037	3,539	£166.40	£199.68
	858	563034	1,096	3,741	£187.20	£224.64	858	563041	1,436	4,901	£213.20	£255.84
	1042	563035	1,340	4,573	£213.20	£255.84	1042	563042	1,756	5,993	£275.60	£330.72
	1272	563036	1,644	5,611	£286.00	£343.20	1272	563043	2,155	7,355	£327.60	£393.12
	1456	563037	1,888	6,444	£334.19	£401.03	-	-	-	-	-	-
	1870	563038	2,436	8,314	£435.42	£522.50	-	-	-	-	-	-
750	858	563044	1,337	4,563	£237.74	£285.29	444	563049	877	2,993	£183.44	£220.13
	1042	563045	1,635	5,580	£296.76	£356.11	628	563050	1,266	4,321	£229.44	£275.33
	1272	563046	2,006	6,846	£365.71	£438.85	858	563051	1,753	5,983	£267.23	£320.68
	1456	563047	2,303	7,860	£417.64	£501.17	1042	563052	2,143	7,314	£329.96	£395.95
	1870	563048	2,972	10,143	£536.13	£643.36	1272	563053	2,630	8,976	£402.63	£483.16

Δt50 is the UK's industry standard for heating outputs, which has an operating temperature of 75/65/20°C. If you have a low temperature heat source you may wish to consider Δt40 or Δt30 output (see your installer or system designer or download from www.stelrad.com).

Due to production tolerances, the length of the product and therefore the tap centres could contain a variation of +/- 1.5% of the overall stated length.

For EN442 data, technical and installation information please visit our website: www.stelrad.com and search product downloads.

SOFTLINE COLUMN HORIZONTAL

Softline Series

SOFTLINE COLUMN FLOOR MOUNTING BRACKETS

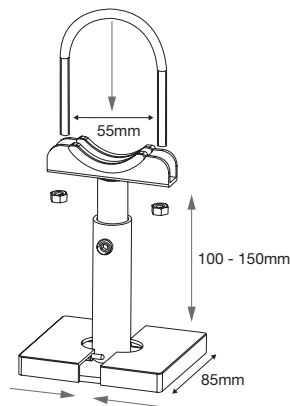
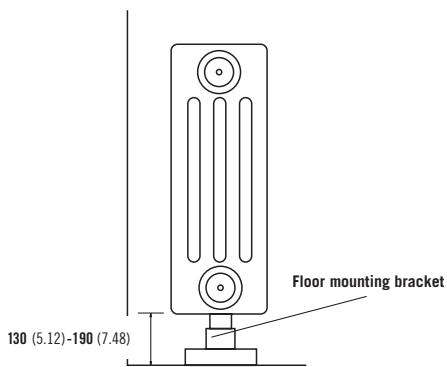


UIN 148137 White
(sold in pairs)

FLOOR MOUNTING BRACKET INFORMATION	
400 - 1500mm	2 feet

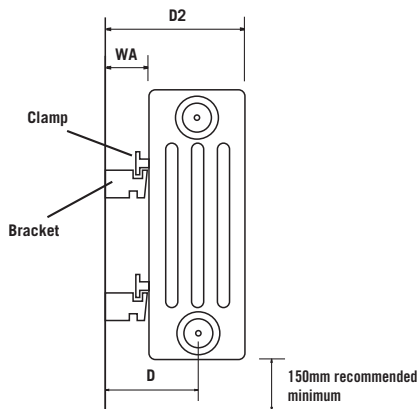
OPTIONAL FLOOR MOUNTING BRACKETS

All dimensions in mm. Inches in brackets.



BRACKET INSTALLATION

All dimensions in mm. Inches in brackets.



MEASUREMENTS USING 10mm CVD BRACKETS SLOT

Add 5mm if using 15mm slot

	WA	D	D2
2 Col	23	54	85
3 Col	23	73	123
4 Col	23	91	159

BRACKETS AND CLAMPS REQUIRED

	No of Sections
4	0 - 23
6	24 - 41

Number of columns	Wall to centre of connections		Wall to front face of radiator
	Using 10mm bracket slot	Using 15mm bracket slot	
2	54	59	85 or 90
3	73	78	123 or 128
4	91	96	159 or 164

All sizes (approximate) in mm

CONNECTIONS

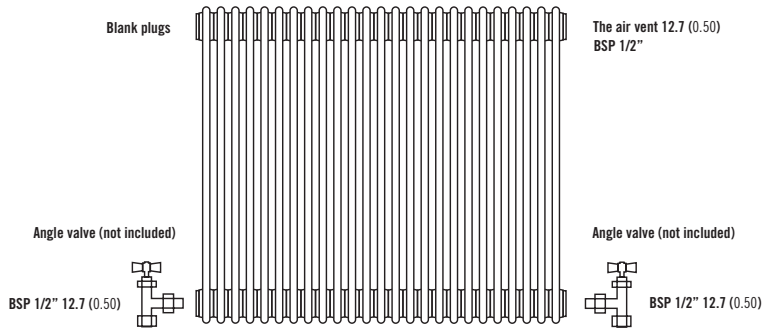
Each radiator comes with 1/2" inlet connections as standard.

SOFTLINE COLUMN HORIZONTAL

Softline Series

VALVE INSTALLATION

All dimensions in mm. Inches in brackets.

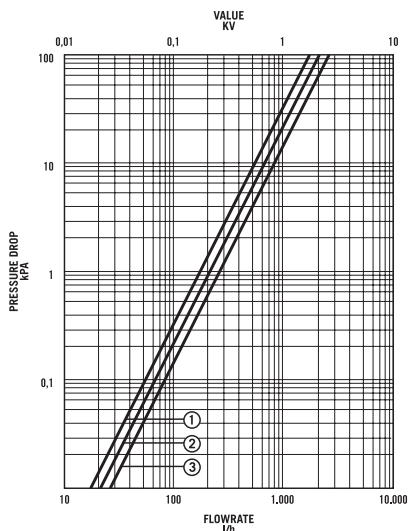


Note: Factory fitted bushes are welded in place and not removable.
If installing TBOE (Top Bottom Opposite End) please note that the radiator MUST be inverted.

EN 442 CERTIFICATION DATA - CETIAT TESTED IN ACCORDANCE WITH BS EN 442

Type	2 Columns		3 Columns			4 Columns
Height	500	600	300	500	600	600
W/m at 75/65/20	835	985	696	1122	1324	1734
n-coefficients	1.25	1.25	1.25	1.25	1.26	1.27
Heated surface area (m ² /m)	1.52	1.96	1.52	2.39	3.04	4.13
Weight (kg/m)	17.39	21.74	15.22	26.09	30.43	43.48
Water contents (l/m)	10.87	13.04	13.04	17.39	19.57	26.09
Wall to tap centre (mm)	54 / 59	54 / 59	73 / 78	73 / 78	73 / 78	91 / 96

PRESSURE DROPS



- ① 2 Column (P1), 11 (K1)
- ② 3 Column (P+), 22 (K2)
- ③ 4 Column (K3)