



# SOFTLINE COLUMN HORIZONTAL

Softline Series

## 50 $\Delta t$

(75/65/20°C)

Height mm	Length mm	Elements	Columns	Stelrad UIN	Heat output Watts	Heat output Btu/hr	Price excl VAT	Price incl VAT
<b>300</b>	858	18	3	563002	576	1966	£202.80	£243.36
	1042	22	3	563003	704	2403	£234.00	£280.80
<b>500</b>	628	13	2	563012	499	1703	£135.20	£162.24
	858	18	2	563013	691	2358	£166.40	£199.68
	628	13	3	563017	671	2290	£145.60	£174.72
	858	18	3	563018	929	3171	£182.00	£218.40
	1042	22	3	563019	1135	3874	£244.40	£293.28
	1272	27	3	563020	1393	4754	£327.60	£393.12
<b>600</b>	628	13	2	563028	589	2010	£145.60	£174.72
	858	18	2	563029	815	2782	£166.40	£199.68
	1042	22	2	563030	997	3403	£213.20	£255.84
	1272	27	2	563031	1223	4174	£275.60	£330.72
	628	13	3	563033	792	2703	£161.20	£193.44
	858	18	3	563034	1096	3741	£187.20	£224.64
	1042	22	3	563035	1340	4573	£213.20	£255.84
	1272	27	3	563036	1644	5611	£286.00	£343.20
	628	13	4	563040	1037	3539	£166.40	£199.68
	858	18	4	563041	1436	4901	£213.20	£255.84
	1042	22	4	563042	1756	5993	£275.60	£330.72
	1272	27	4	563043	2155	7355	£327.60	£393.12

$\Delta t50$  is the UK's industry standard for heating outputs, which has an operating temperature of 75/65/20°C. If you have a low temperature heat source you may wish to consider  $\Delta t40$  or  $\Delta t30$  output (see your installer or system designer or download from [www.stelrad.com](http://www.stelrad.com)).

Due to production tolerances, the length of the product and therefore the tap centres could contain a variation of +/- 1.5% of the overall stated length.

For EN442 data, technical and installation information please visit our website: [www.stelrad.com](http://www.stelrad.com) and search product downloads.

Floor mounting brackets are available, for more information see page 163.

### SOFTLINE COLUMN FLOOR MOUNTING BRACKETS



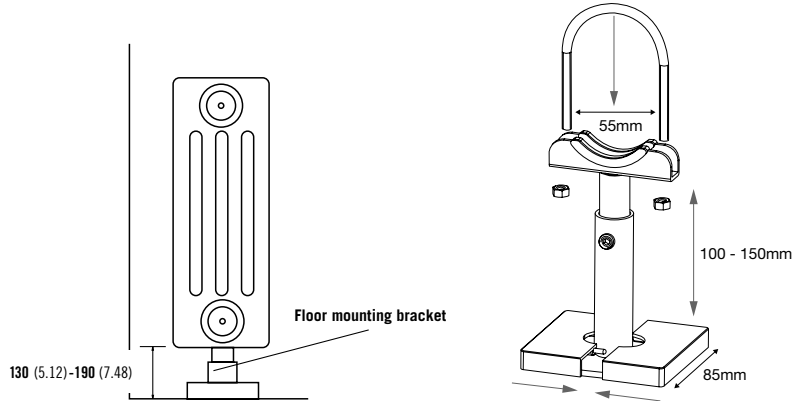
UIN 148137 White  
(sold in pairs)

# SOFTLINE COLUMN HORIZONTAL

Softline Series

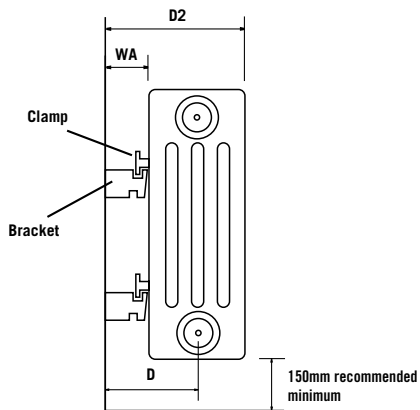
## OPTIONAL FLOOR MOUNTING BRACKETS

All dimensions in mm. Inches in brackets.



## BRACKET INSTALLATION

All dimensions in mm. Inches in brackets.



## MEASUREMENTS USING 10mm CVD BRACKETS SLOT

Add 5mm if using 15mm slot

	WA	D	D2
2 Col	23	54	85
3 Col	23	73	123
4 Col	23	91	159

## BRACKETS AND CLAMPS REQUIRED

	No of Sections
4	0 - 23
6	24 - 41

Number of columns	Wall to centre of connections		Wall to front face of radiator
	Using 10mm bracket slot	Using 15mm bracket slot	
2	54	59	85 or 90
3	73	78	123 or 128
4	91	96	159 or 164

All sizes (approximate) in mm

## CONNECTIONS

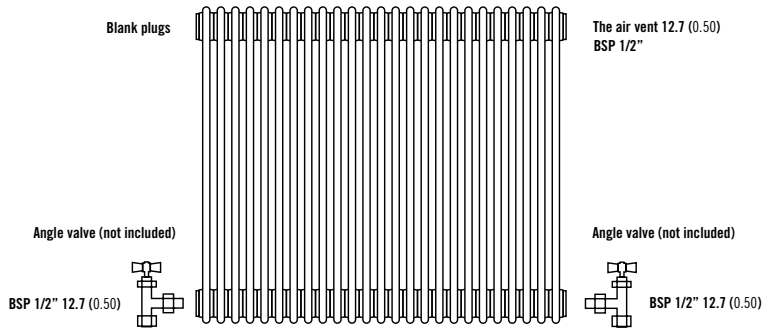
Each radiator comes with 1/2" inlet connections as standard.

# SOFTLINE COLUMN HORIZONTAL

Softline Series

## VALVE INSTALLATION

All dimensions in mm. Inches in brackets.

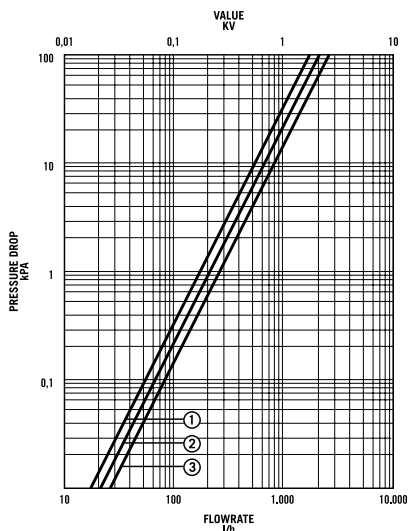


Note: Factory fitted bushes are welded in place and not removable.  
If installing TBOE (Top Bottom Opposite End) please note that the radiator MUST be inverted.

## EN 442 CERTIFICATION DATA - CETIAT TESTED IN ACCORDANCE WITH BS EN 442

Type	2 Columns		3 Columns			4 Columns
Height	500	600	300	500	600	600
W/m at 75/65/20	835	985	696	1122	1324	1734
n-coefficients	1.25	1.25	1.25	1.25	1.26	1.27
Heated surface area (m <sup>2</sup> /m)	1.52	1.96	1.52	2.39	3.04	4.13
Weight (kg/m)	17.39	21.74	15.22	26.09	30.43	43.48
Water contents (l/m)	10.87	13.04	13.04	17.39	19.57	26.09
Wall to tap centre (mm)	54 / 59	54 / 59	73 / 78	73 / 78	73 / 78	91 / 96

## PRESSURE DROPS



- ① 2 Column (P1), 11 (K1)
- ② 3 Column (P+), 22 (K2)
- ③ 4 Column (K3)