

# NEW VITA DECO CONCEPT

Vita Series

**50  $\Delta t$**

(75/65/20°C)

**K1**



**K2**



Height mm	Length mm	Stelrad UIN	Heat output		Price		Stelrad UIN	Heat output		Price	
			Watts	Btu/h	excl VAT	incl VAT		Watts	Btu/h	excl VAT	incl VAT
<b>600</b>	400	22601104	348	1187	£113.73	£136.48	22602204	640	2184	£137.34	£164.81
	600	22601106	522	1781	£120.43	£144.52	22602206	961	3279	£155.51	£186.61
	800	22601108	696	2375	£135.99	£163.19	22602208	1281	4371	£168.25	£201.90
	1000	22601110	870	2968	£151.57	£181.88	22602210	1601	5463	£182.79	£219.35
	1200	22601112	1044	3562	£167.13	£200.56	22602212	1921	6554	£204.59	£245.51
	1400	22601114	1218	4156	£182.71	£219.25	22602214	2241	7646	£242.32	£290.78

$\Delta t$ 50 is the UK's industry standard for heating outputs, which has an operating temperature of 75/65/20°C. If you have a low temperature heat source you may wish to consider  $\Delta t$ 40 or  $\Delta t$ 30 output (see your installer or system designer or download from [www.stelrad.com](http://www.stelrad.com)).

For EN442 data, technical and installation information please visit our website: [www.stelrad.com](http://www.stelrad.com) and search product downloads.

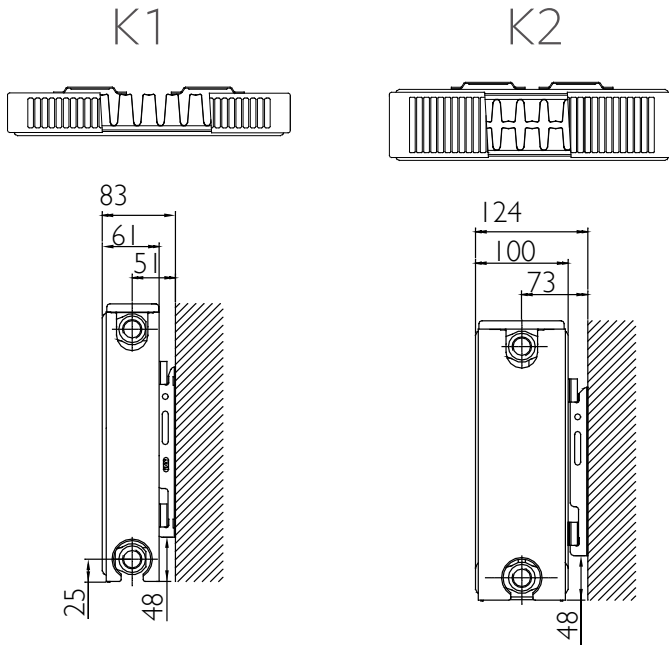
**VITA DECO CONCEPT COMES IN RAL: A7016 ANTHRACITE GREY AND IS AVAILABLE FROM STOCK.**

# NEW VITA DECO CONCEPT

Vita Series

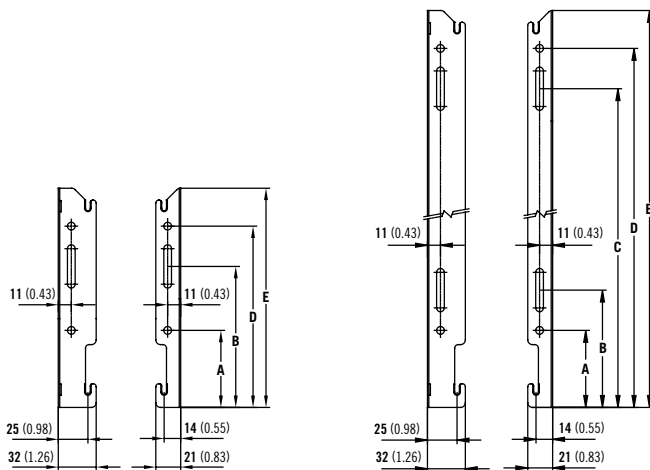
## WALL MOUNTING AND LUG INFORMATION

All dimensions in mm. Inches in brackets.



## MOUNTING BRACKETS

All dimensions in mm. Inches in brackets. Floor mounting brackets available.



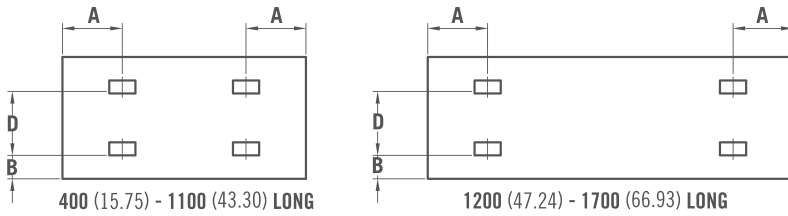
Dimensions	mm	inches
Height	600	23.62
A	65	2.56
B	99	3.90
C	419	16.50
D	453	17.83
E	485	19.09

# NEW VITA DECO CONCEPT

Vita Series

## K1 & K2 LUG POSITIONS (New as of June 2016).

All dimensions in mm. Inches in brackets.



## CONNECTIONS

Each radiator comes with 1/2" inlet connections as standard.

## PANEL HEIGHT

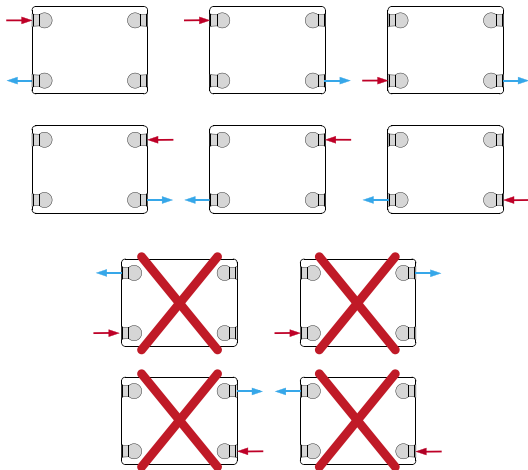
D		D	
mm	in	mm	in
600	23.62	455	17.91

## K1

## K2

Dimensions	mm	in	mm	in
A 400mm	117	4.61	133	5.24
A 500 - 2000mm	150	5.91	133	5.24
B 400 - 2000mm	60	2.36	60	2.36

## PIPING OPTIONS



# NEW VITA DECO CONCEPT

Vita Series

## EN 442 CERTIFICATION DATA - CETIAT TESTED IN ACCORDANCE WITH BS EN 442

Type	K1	K2
Height	600	600
W/m at 75/65/20	911	1634
n-coefficients	1.28	1.32
Heated surface area (m <sup>2</sup> /m)	4.66	7.74
Weight (kg/m)	24.65	40.00
Water contents (l/m)	3.25	6.60
Wall to tap centre (mm)	51	73

## PRESSURE DROP

