

# NEW VITA PLAN CONCEPT

Vita Series

## 50 $\Delta t$

(75/65/20°C)

K1



K2



Height mm	Length mm	Stelrad UIN	Heat output		Price		Stelrad UIN	Heat output		Price	
			Watts	Btu/h	excl VAT	incl VAT		Watts	Btu/h	excl VAT	incl VAT
<b>600</b>	400	21601104	364	1242	£133.75	£160.50	21602204	654	2231	£169.15	£202.98
	600	21601106	547	1866	£143.79	£172.55	21602206	980	3344	£196.40	£235.68
	800	21601108	729	2487	£167.13	£200.56	21602208	1307	4459	£215.52	£258.62
	1000	21601110	911	3108	£190.50	£228.60	21602210	1634	5575	£237.33	£284.80
	1200	21601112	1093	3729	£213.83	£256.60	21602212	1961	6691	£270.03	£324.04
	1400	21601114	1275	4350	£237.22	£284.66	21602214	2288	7807	£326.62	£391.94

$\Delta t50$  is the UK's industry standard for heating outputs, which has an operating temperature of 75/65/20°C. If you have a low temperature heat source you may wish to consider  $\Delta t40$  or  $\Delta t30$  output (see your installer or system designer or download from [www.stelrad.com](http://www.stelrad.com)).

For EN442 data, technical and installation information please visit our website: [www.stelrad.com](http://www.stelrad.com) and search product downloads.

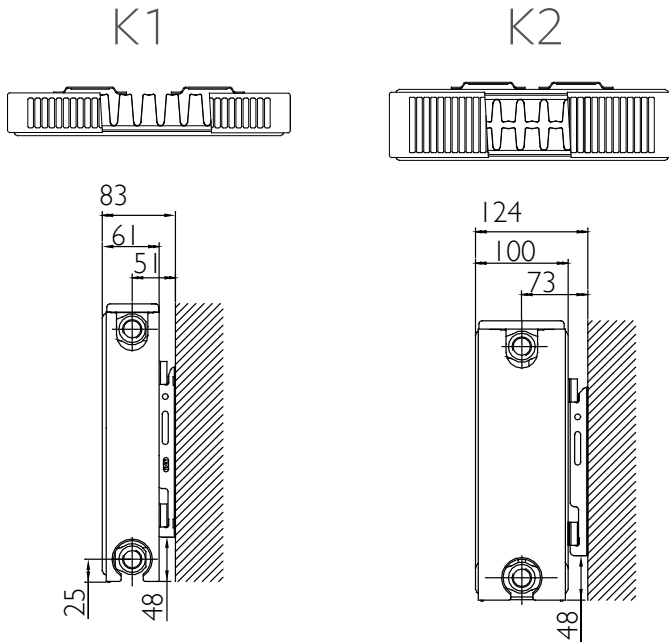
**VITA PLAN CONCEPT COMES IN RAL: A7016 ANTHRACITE GREY AND IS AVAILABLE FROM STOCK.**

# NEW VITA PLAN CONCEPT

Vita Series

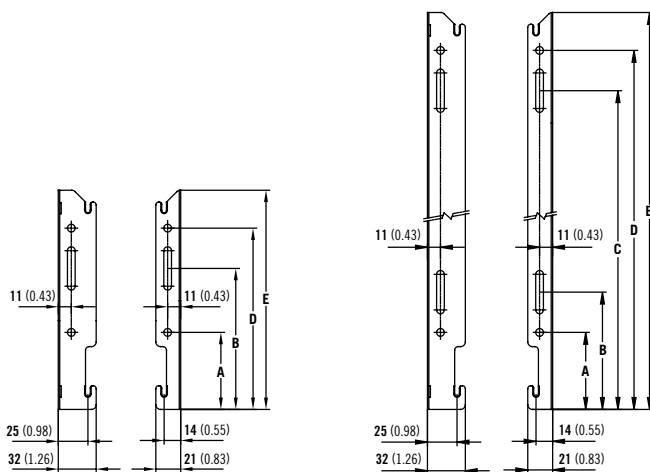
## WALL MOUNTING AND LUG INFORMATION

All dimensions in mm. Inches in brackets.



## MOUNTING BRACKETS

All dimensions in mm. Inches in brackets. Floor mounting brackets available.



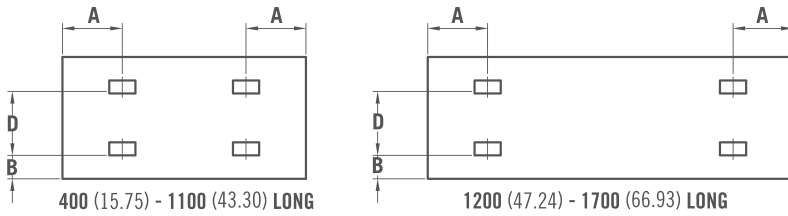
Dimensions	mm	inches
Height	600	23.62
A	65	2.56
B	99	3.90
C	419	16.50
D	453	17.83
E	485	19.09

# NEW VITA PLAN CONCEPT

Vita Series

## K1 & K2 LUG POSITIONS (New as of June 2016).

All dimensions in mm. Inches in brackets.



### PANEL HEIGHT

D	
mm	in
600	23.62

### K1

### K2

Dimensions	mm	in	mm	in
<b>A</b> 400mm	117	4.61	133	5.24
<b>A</b> 500 - 2000mm	150	5.91	133	5.24
<b>B</b> 400 - 2000mm	60	2.36	60	2.36

### K1

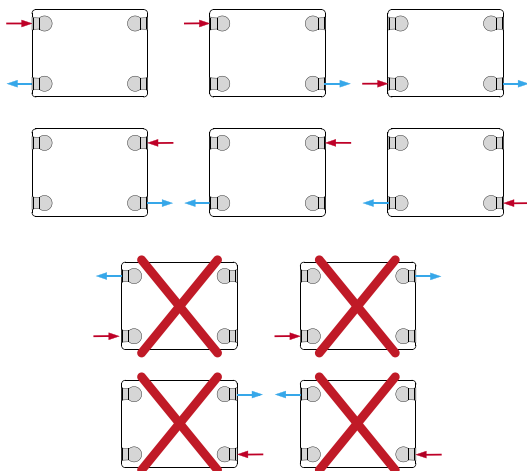
### K2

Dimensions	mm	in	mm	in
<b>A</b> 400mm	117	4.61	133	5.24
<b>A</b> 500 - 2000mm	150	5.91	133	5.24
<b>B</b> 400 - 2000mm	60	2.36	60	2.36

## CONNECTIONS

Each radiator comes with 1/2" inlet connections as standard.

## PIPING OPTIONS



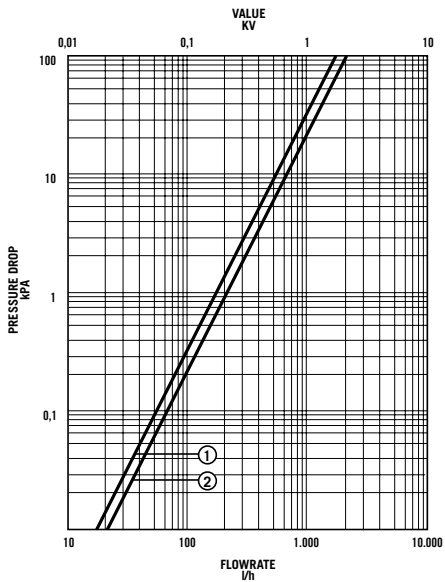
# NEW VITA PLAN CONCEPT

Vita Series

## EN 442 CERTIFICATION DATA - CETIAT TESTED IN ACCORDANCE WITH BS EN 442

Type	K1	K2
Height	600	600
W/m at 75/65/20	911	1634
n-coefficients	1.28	1.32
Heated surface area (m <sup>2</sup> /m)	4.66	7.74
Weight (kg/m)	24.65	40.00
Water contents (l/m)	3.25	6.60
Wall to tap centre (mm)	51	73

## PRESSURE DROP



- ① Type 11 (K1)
- ② Type 22 (K2)