

SOFTLINE PLAN

Softline Series

50 Δt
(75/65/20°C)



Height mm	Length mm	Stelrad UIN	Heat output		Stelrad UIN	Heat output	
			Watts	Btu/hr		Watts	Btu/hr
300	500	85301105	235	802	85302205	465	1587
	1000	85301110	469	1600	85302210	929	3170
	1500	85301115	704	2402	85302215	1394	4756
450	400	85451104	280	955	85452204	518	1767
	600	85451106	421	1436	85452206	778	2655
	800	85451108	561	1914	85452208	1037	3538
	1000	85451110	701	2392	85452210	1296	4422
	1200	85451112	841	2869	85452212	1555	5306
	1400	85451114	981	3347	85452214	1814	6189
	1600	85451116	1122	3828	85452216	2074	7076
600	1800	85451118	1262	4306	85452218	2333	7960
	400	85601104	364	1242	85602204	654	2231
	600	85601106	547	1866	85602206	980	3344
	800	85601108	729	2487	85602208	1307	4459
	1000	85601110	911	3108	85602210	1634	5575
	1200	85601112	1093	3729	85602212	1961	6691
	1400	85601114	1275	4350	85602214	2288	7807
	1600	85601116	1458	4975	85602216	2614	8919
	1800	85601118	1640	5596	85602218	2941	10035
2000	85601120	1822	6217	85602220	3268	11150	

$\Delta t50$ is the UK's industry standard for heating outputs, which has an operating temperature of 75/65/20°C. If you have a low temperature heat source you may wish to consider $\Delta t40$ or $\Delta t30$ output (see your installer or system designer or download from www.stelrad.com).

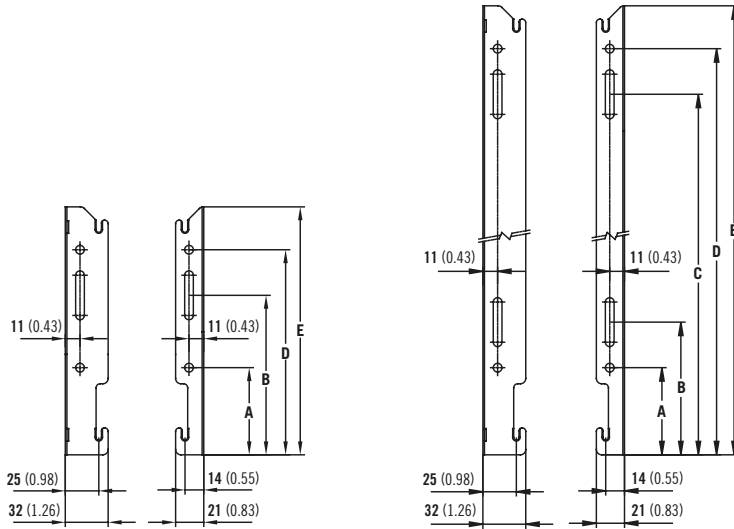
For EN442 data, technical and installation information please visit our website: www.stelrad.com and search product downloads.

SOFTLINE PLAN

Softline Series

MOUNTING BRACKETS

All dimensions in mm. Inches in brackets.



Dimensions	mm	inches	mm	inches	mm	inches	mm	inches
Height	300	11.81	450	17.72	600	23.62	700	27.56
A	65	2.56	65	2.56	65	2.56	65	2.56
B	119	4.69	99	3.90	99	3.90	99	3.90
C	-	-	269	10.59	419	16.50	519	20.43
D	153	6.02	303	11.93	453	17.83	553	21.77
E	185	7.28	335	13.19	485	19.09	585	23.03

K1



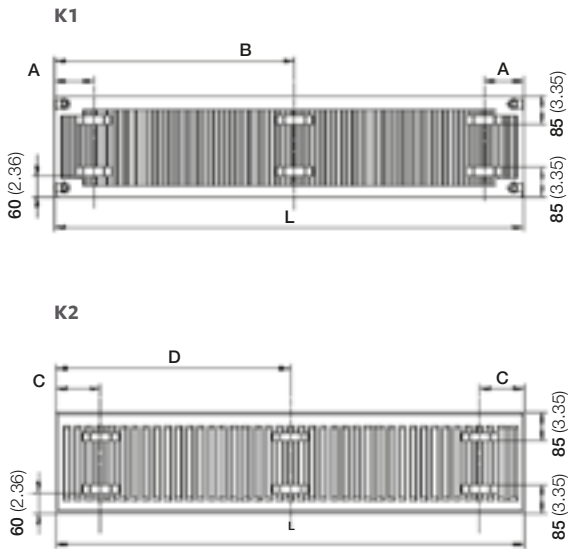
K2



SOFTLINE PLAN

Softline Series

K1 & K2 LUG POSITIONS (New as of June 2016).
All dimensions in mm. Inches in brackets.

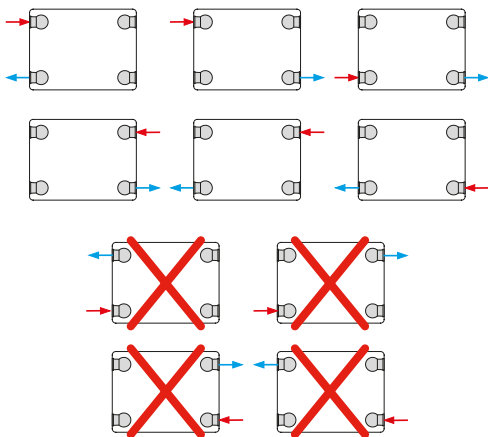


L	K1				K2			
	A		B		C		D	
	mm	in	mm	in	mm	in	mm	in
400	117	4.60	-	-	133	5.24	-	-
500 - 1100	150	5.90	-	-	133	5.24	-	-
1200 - 1600	150	5.90	-	-	133	5.24	-	-
1800 - 2000	150	5.90	(L/2) + 17		133	5.24	L/2	

CONNECTIONS

Each radiator comes with 1/2" inlet connections as standard.

PIPING OPTIONS



SOFTLINE PLAN

Softline Series

EN 442 CERTIFICATION DATA - CETIAT TESTED IN ACCORDANCE WITH BS EN 442

Type	K1			K2		
	300	450	600	300	450	600
Height	300	450	600	300	450	600
W/m at 75/65/20	469	701	911	929	1296	1634
n-coefficients	1.30	1.28	1.27	1.29	1.30	1.32
Heated surface area (m ² /m)	2.09	3.37	4.66	3.51	5.62	7.74
Weight (kg/m)	11.88	18.26	24.65	19.60	29.80	40.00
Water contents (l/m)	1.89	2.49	3.25	3.70	5.05	6.60
Wall to tap centre (mm)	51	51	51	73	73	73

PRESSURE DROPS

