



CALIENTE VERTICAL

Designer Series

50 Δt

(75/65/20°C)

SINGLE TUBE

DOUBLE TUBE

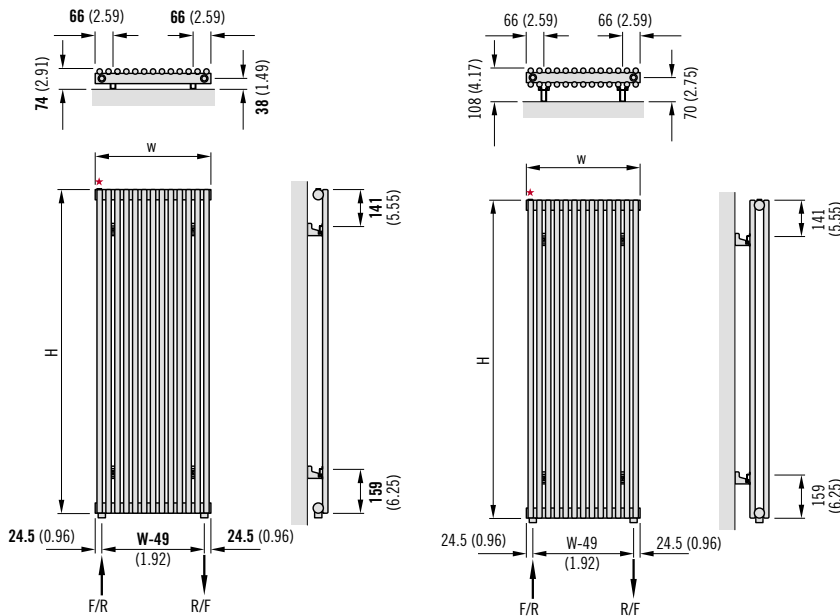
Height mm	Length mm	Elements	Stelrad UIN	Heat output Watts	Heat output Btu/hr	Price excl VAT	Price incl VAT	Stelrad UIN	Heat output Watts	Heat output Btu/hr	Price excl VAT	Price incl VAT
1200	330	10	401211330	485	1655	£218.74	£262.49	-	-	-	-	-
	495	15	401211495	727	2481	£280.92	£337.10	-	-	-	-	-
1800	330	10	401811330	702	2395	£272.34	£326.81	-	-	-	-	-
	429	13	401811429	912	3112	£418.17	£501.80	-	-	-	-	-
	495	15	-	-	-	-	-	401822495	1590	5425	£688.37	£826.04
	528	16	401811528	1123	3832	£435.33	£522.40	-	-	-	-	-
	660	20	401811660	1404	4790	£452.49	£542.99	401822660	2120	7233	£829.91	£995.89
	726	22	401811726	1544	5268	£486.78	£584.14	-	-	-	-	-

$\Delta t50$ is the UK's industry standard for heating outputs, which has an operating temperature of 75/65/20°C. If you have a low temperature heat source you may wish to consider $\Delta t40$ or $\Delta t30$ output (see your installer or system designer or download from www.stelrad.com).

For EN442 data, technical and installation information please visit our website: www.stelrad.com and search product downloads.

WALL MOUNTING INFORMATION

All dimensions in mm. Inches in brackets.



PRODUCT SPECIFICATION

Tube diameter = $\varnothing 20$ mm and $\varnothing 38$ mm
 Steel thickness = 1.25mm for $\varnothing 20$; 1.4mm for $\varnothing 38$
 Working pressure = 6 bar
 Operating temp = 110° max

★ Air vents

CONNECTIONS

Each radiator comes with 1/2" inlet connections as standard.

EN 442 CERTIFICATION DATA - CETIAT TESTED IN ACCORDANCE WITH BS EN 442

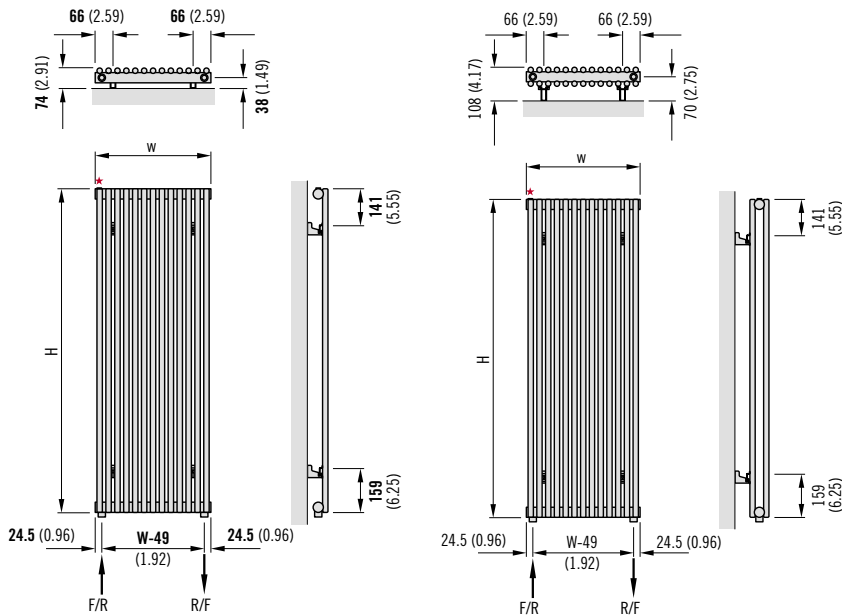
Type	Single	Double
Height	1200	1800
W/m at 75/65/20	1470	2126
n-coefficients	1.27	1.28
Heated surface area (m ² /m)	2.28	3.43
Weight (kg/m)	23.33	33.64
Water contents (l/m)	10.61	15.15
Wall to tap centre (mm)	38	70

CALIENTE VERTICAL

Designer Series

WALL MOUNTING INFORMATION

All dimensions in mm. Inches in brackets.



PRODUCT SPECIFICATION

Tube diameter = $\varnothing 20\text{mm}$ and $\varnothing 38\text{mm}$
 Steel thickness = 1.25mm for $\varnothing 20$; 1.4mm for $\varnothing 38$
 Working pressure = 6 bar
 Operating temp = 110° max

★ Air vents

CONNECTIONS

Each radiator comes with $\frac{1}{2}$ " inlet connections as standard.

EN 442 CERTIFICATION DATA - CETIAT TESTED IN ACCORDANCE WITH BS EN 442

Type	Single	Double
Height	1200	1800
W/m at 75/65/20	1470	2126
n-coefficients	1.27	1.28
Heated surface area (m^2/m)	2.28	3.43
Weight (kg/m)	23.33	33.64
Water contents (l/m)	10.61	15.15
Wall to tap centre (mm)	38	38