



# CLASSIC TOWEL RAIL

Kitchen & Bathroom Series

**50  $\Delta t$**

(75/65/20°C)

**STRAIGHT WHITE**

**STRAIGHT CHROME**

Height mm	Length mm	Max Projection mm	Stelrad UIN	Heat output Watts	Btu/hr	Price excl VAT	Price incl VAT	Stelrad UIN	Heat output Watts	Btu/hr	Price excl VAT	Price incl VAT
<b>760</b>	500	100	148070	376	1282	£116.92	£140.30	147002	246	839	£232.41	£278.89
	600	100	148071	445	1517	£118.41	£142.09	147003	294	1003	£242.62	£291.14
<b>1211</b>	500	100	148072	576	1964	£156.46	£187.75	147004	379	1292	£310.75	£372.90
	600	100	148073	686	2339	£160.94	£193.13	147005	453	1545	£330.39	£396.47
<b>1744</b>	500	100	148074	844	2878	£242.04	£290.45	142768	557	1899	£390.94	£469.13
	600	100	148075	1000	3410	£260.71	£312.85	142769	667	2274	£418.53	£502.24

**CURVED WHITE**

**CURVED CHROME**

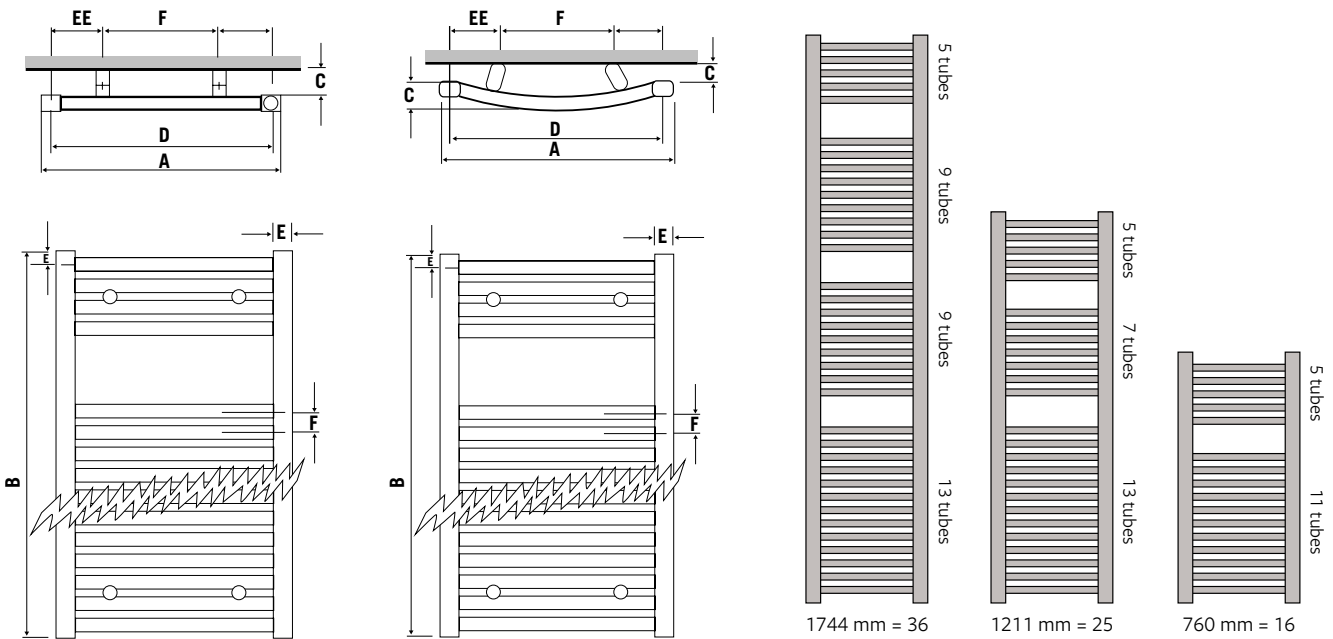
Height mm	Length mm	Max Projection mm	Stelrad UIN	Heat output Watts	Btu/hr	Price excl VAT	Price incl VAT	Stelrad UIN	Heat output Watts	Btu/hr	Price excl VAT	Price incl VAT
<b>760</b>	500	100	147006	376	1282	£148.97	£178.76	147012	246	839	£289.98	£347.98
	600	100	147007	445	1517	£158.39	£190.07	147013	294	1003	£317.75	£381.30
<b>1211</b>	500	100	147008	576	1964	£198.31	£237.97	147014	379	1292	£365.13	£438.16
	600	100	147009	686	2339	£243.64	£292.37	147015	453	1545	£374.12	£448.94
<b>1744</b>	500	100	147010	844	2878	£246.70	£296.04	147016	557	1899	£445.73	£534.88
	600	100	147011	1000	3410	£276.81	£332.17	147017	667	2274	£517.11	£620.53

$\Delta t$ 50 is the UK's industry standard for heating outputs, which has an operating temperature of 75/65/20°C. If you have a low temperature heat source you may wish to consider  $\Delta t$ 40 or  $\Delta t$ 30 output (see your installer or system designer or download from [www.stelrad.com](http://www.stelrad.com)).

**STRAIGHT MODELS**

**CURVED MODELS**

**NUMBER OF TUBES ON TOWEL RAILS**

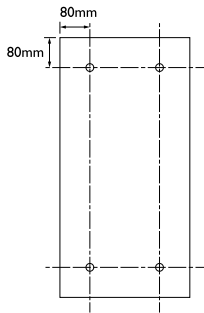


# CLASSIC TOWEL RAIL

## Kitchen & Bathroom Series

		STRAIGHT MODELS					CURVED MODELS				
				WALL MOUNTING POSITIONS					WALL MOUNTING POSITIONS		
A Width (mm)	B Height (mm)	C Depth (mm)	D Tap Centres (mm)	EE (mm)	F (mm)	C (mm)	C Depth (mm)	D Tap Centres (mm)	EE (mm)	F (mm)	C (mm)
400	678	30	356	70	216	65-75	-	-	-	-	-
500	760	30	456	70	316	65-75	56.0	456	110	236	40-45
600	760	30	556	70	416	65-75	60.0	556	110	336	40-45
500	1211	30	456	70	316	65-75	56.0	456	110	236	40-45
600	1211	30	556	70	416	65-75	60.0	556	110	336	40-45
500	1744	30	456	70	316	65-75	56.0	456	110	236	40-45
600	1744	30	556	70	416	65-75	60.0	556	110	336	40-45

### BRACKET POSITIONS



### CONNECTIONS

Each radiator comes with 1/2" inlet connections as standard.

### EN 442 CERTIFICATION DATA - CETIAT TESTED IN ACCORDANCE WITH BS EN 442

Type	STRAIGHT/CURVED WHITE					
No of tubes	16	16	25	25	36	36
Height	760	760	1211	1211	1744	1744
Length	500	600	500	600	500	600
Watts at 75/65/20	376	445	576	686	844	1000
n-coefficients	1.23	1.23	1.25	1.25	1.28	1.26
Heated surface area (m <sup>2</sup> )	0.71	0.83	1.11	1.30	1.60	1.88
Weight (kg)	6.12	7.06	9.63	11.10	13.86	15.98
Water contents (l/m)	4.41	5.10	6.89	7.97	9.80	11.40
KM (P/dTn)	3.0343	3.5743	4.285	5.2327	5.6826	7.1623

Type	STRAIGHT/CURVED CHROME					
No of tubes	16	16	25	25	36	36
Height	760	760	1211	1211	1744	1744
Length	500	600	500	600	500	600
Watts at 75/65/20	246	294	379	453	557	667
n-coefficients	1.25	1.25	1.28	1.27	1.30	1.30
Heated surface area (m <sup>2</sup> )	0.71	0.83	1.11	1.30	1.60	1.88
Weight (kg)	6.12	7.06	9.63	11.10	13.86	15.98
Water contents (l/m)	4.41	5.10	6.89	7.97	9.80	11.40
KM (P/dTn)	1.8179	2.1949	2.5779	3.1188	3.4249	4.1610

# CLASSIC MINI TOWEL RAIL

## Kitchen & Bathroom Series

### 50 $\Delta t$

(75/65/20°C)

#### WHITE

#### CHROME

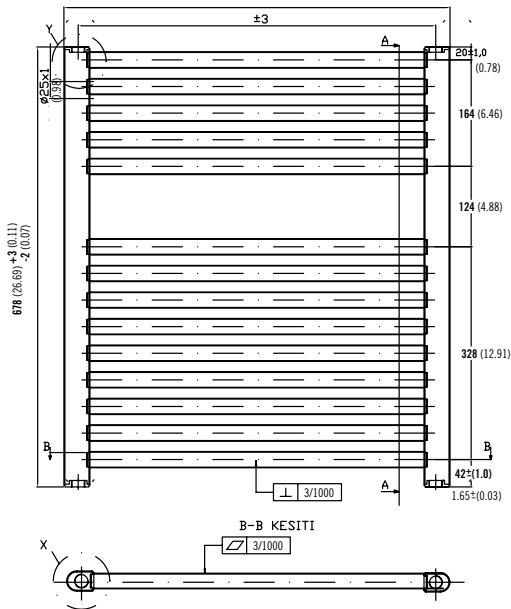
Height mm	Length mm	Max Projection mm	Stelrad UIN	Heat output Watts	Heat output Btu/hr	Price excl VAT	Price incl VAT	Stelrad UIN	Heat output Watts	Heat output Btu/hr	Price excl VAT	Price incl VAT
<b>678</b>	400	100	147000	273	931	£83.66	£100.39	147001	175	597	£164.04	£196.85

$\Delta t$ 50 is the UK's industry standard for heating outputs, which has an operating temperature of 75/65/20°C. If you have a low temperature heat source you may wish to consider  $\Delta t$ 40 or  $\Delta t$ 30 output (see your installer or system designer or download from [www.stelrad.com](http://www.stelrad.com)).

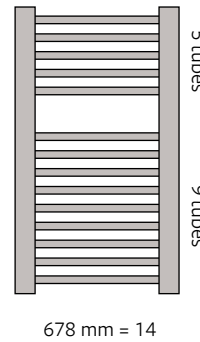
For EN442 data, technical and installation information please visit our website: [www.stelrad.com](http://www.stelrad.com) and search product downloads.

#### WALL MOUNTING INFORMATION

All dimensions in mm. Inches in brackets.



#### NUMBER OF TUBES ON TOWEL RAILS



#### EN 442 CERTIFICATION DATA - CETIAT TESTED IN ACCORDANCE WITH BS EN 442

Type	WHITE	CHROME
No of tubes	14	14
Height	14	14
Length	678	678
Watts at 75/65/20	400	175
n-coefficients	1.2232	1.2535
Heated surface area (m <sup>2</sup> /m)	0.51	0.51
Weight (kg/m)	4.57	4.57
Water contents (l/m)	3.20	3.20
KM (P/dTn)	2.2803	1.2983

#### CONNECTIONS

Each radiator comes with 1/2" inlet connections as standard.