

# 50 $\Delta t$

(75/65/20°C)

## STRAIGHT WHITE

## STRAIGHT CHROME

Height mm	Length mm	Max Projection mm	Stelrad UIN	Heat output Watts	Btu/hr	Price excl VAT	Price incl VAT	Max Projection mm	Stelrad UIN	Heat output Watts	Btu/hr	Price excl VAT	Price incl VAT
<b>900</b>	450	100	148049	405	1382	£357.23	£428.68	100	148053	316	1079	£755.87	£907.04
<b>1200</b>	450	100	148050	554	1891	£413.44	£496.13	100	148054	432	1474	£891.06	£1,069.27
<b>1200</b>	550	100	148051	676	2307	£425.59	£510.71	100	148055	527	1799	£920.97	£1,105.16
<b>1800</b>	550	100	148052	1056	3604	£579.46	£695.35	100	148056	824	2812	£1,294.26	£1,553.11

$\Delta t$ 50 is the UK's industry standard for heating outputs, which has an operating temperature of 75/65/20°C. If you have a low temperature heat source you may wish to consider  $\Delta t$ 40 or  $\Delta t$ 30 output (see your installer or system designer or download from [www.stelrad.com](http://www.stelrad.com)).

## CURVED WHITE

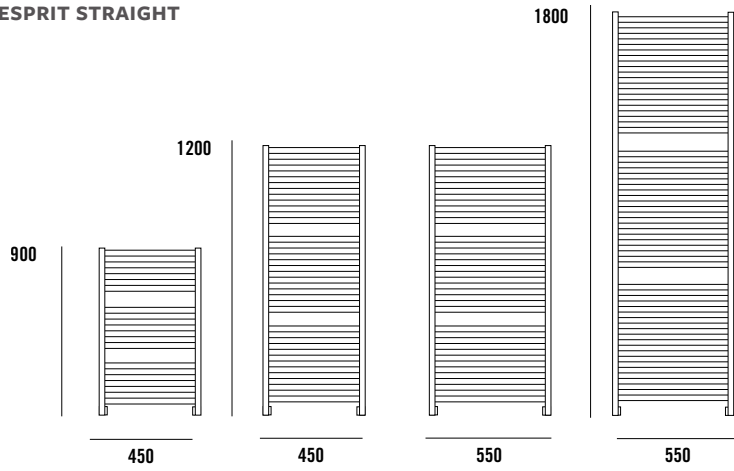
## CURVED CHROME

Height mm	Length mm	Max Projection mm	Stelrad UIN	Heat output Watts	Btu/hr	Price excl VAT	Price incl VAT	Max Projection mm	Stelrad UIN	Heat output Watts	Btu/hr	Price excl VAT	Price incl VAT
<b>900</b>	550	75	148057	452	1543	£468.93	£562.72	75	148061	384	1311	£952.03	£1,142.44
<b>1200</b>	550	75	148058	676	2307	£533.30	£639.96	75	148062	527	1799	£1,086.02	£1,303.22
<b>1500</b>	550	75	148059	860	2935	£634.97	£761.96	75	148063	671	2290	£1,313.79	£1,576.55
<b>1800</b>	550	75	148060	1056	3604	£695.24	£834.29	75	148064	824	2812	£1,447.41	£1,736.89

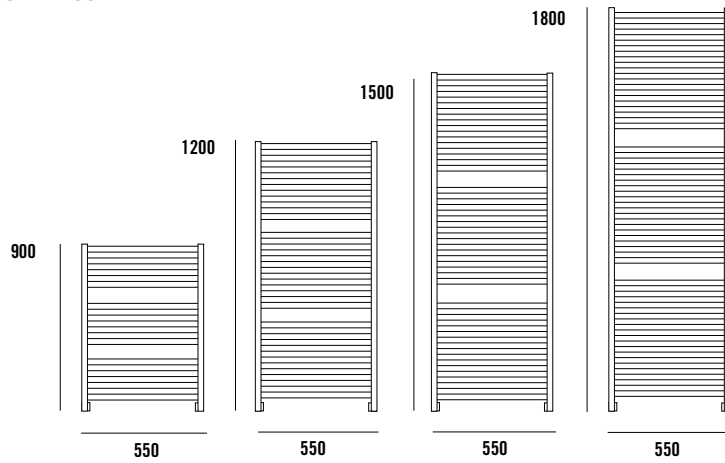
$\Delta t$ 50 is the UK's industry standard for heating outputs, which has an operating temperature of 75/65/20°C. If you have a low temperature heat source you may wish to consider  $\Delta t$ 40 or  $\Delta t$ 30 output (see your installer or system designer or download from [www.stelrad.com](http://www.stelrad.com)).

For EN442 data, technical and installation information please visit our website: [www.stelrad.com](http://www.stelrad.com) and search product downloads.

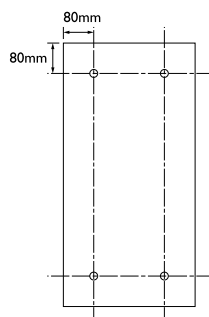
**ESPRIT STRAIGHT**



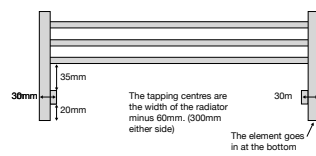
**ESPRIT CURVED**



**BRACKET POSITIONS FOR STRAIGHT AND CURVED**

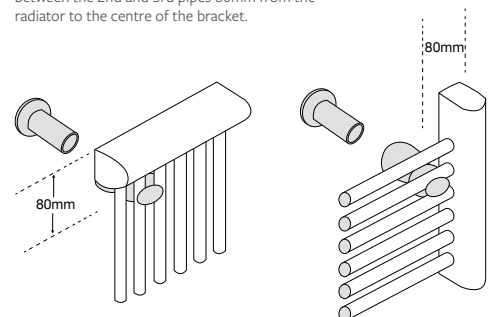


**ELECTRIC ELEMENT OPTION FOR STRAIGHT AND CURVED**



**BRACKET ASSEMBLY FOR STRAIGHT AND CURVED**

We recommend that you place the brackets between the 2nd and 3rd pipes 80mm from the radiator to the centre of the bracket.



**CONNECTIONS**

Each radiator comes with 1/2" inlet connections as standard.

**EN 442 CERTIFICATION DATA - CETIAT TESTED IN ACCORDANCE WITH BS EN 442**

**STRAIGHT**

Type	WHITE				CHROME			
	900	1200	1200	1800	900	1200	1200	1800
Height (mm)	900	1200	1200	1800	900	1200	1200	1800
Length (mm)	450	450	550	550	450	450	550	550
Btu/hr*t50	1382	1891	2307	3604	1078	1474	1799	2812
Watt* t50	405	554	676	1056	316	432	527	824
Wall to tap centre (mm)	310	310	410	410	310	310	410	410
Centres from wall (mm)	80	80	80	80	80	80	80	80
Max. projection (mm)	100	100	100	100	100	100	100	100
Weight (kg/m)	6	8	9	14	6	8	9	14
Water contents (l/m)	1.79	2.46	2.79	4.3	1.79	2.46	2.79	4.30
Element watt	350	650	650	900	350	350	350	900

**EN 442 CERTIFICATION DATA - CETIAT TESTED IN ACCORDANCE WITH BS EN 442**

**CURVED**

Type	WHITE				CHROME			
	900	1200	1500	1800	900	1200	1500	1800
Height (mm)	900	1200	1500	1800	900	1200	1500	1800
Length (mm)	550	550	550	550	550	550	550	550
Btu/hr*t50	1679	2307	2935	3604	1311	1799	2290	2812
Watt* t50	492	676	860	1056	384	527	671	824
Wall to tap centre (mm)	410	410	410	410	410	410	410	410
Centres from wall (mm)	40	40	40	40	40	40	40	40
Max. projection (mm)	75	75	75	75	75	75	75	75
Weight (kg/m)	6	9	11	14	6	9	11	14
Water contents (l/m)	2.03	2.79	3.54	4.3	2.03	2.79	3.54	4.3
Element watt	350	650	900	900	350	350	650	900