



VITA COLUMN CONCEPT

Vita Series

50 Δt

(75/65/20°C)

Height mm	Length mm	Elements	Columns	Stelrad UIN	Heat output		Price excl VAT	Price incl VAT
					Watts	Btu/hr		
600	628	13	3	463133	792	2703	£236.91	£284.29
	858	18	3	463134	1096	3741	£263.36	£316.03
	1042	22	3	463135	1340	4573	£289.81	£347.77
	1272	27	3	463136	1644	5611	£362.52	£435.02
	628	13	4	463140	1037	3539	£243.54	£292.25
	858	18	4	463141	1436	4901	£289.81	£347.77
	1042	22	4	463142	1756	5993	£349.29	£419.15
	1272	27	4	463143	2155	7355	£402.19	£482.63

$\Delta t50$ is the UK's industry standard for heating outputs, which has an operating temperature of 75/65/20°C. If you have a low temperature heat source you may wish to consider $\Delta t40$ or $\Delta t30$ output (see your installer or system designer or download from www.stelrad.com).

Due to production tolerances, the length of the product and therefore the tap centres could contain a variation of +/- 1.5% of the overall stated length.

For EN442 data, technical and installation information please visit our website: www.stelrad.com and search product downloads.

VITA COLUMN CONCEPT COMES IN RAL: A7016 ANTHRACITE GREY AND IS AVAILABLE FROM STOCK.

VITA COLUMN CONCEPT FLOOR MOUNTING BRACKET



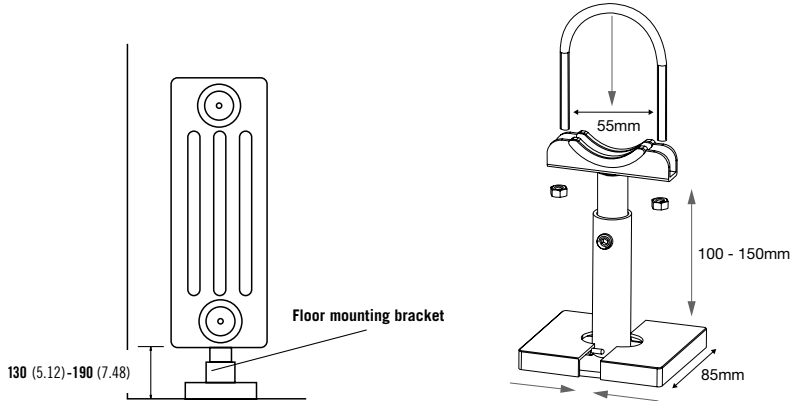
UIN 148138 Anthracite Grey
(sold in pairs)

VITA COLUMN CONCEPT

Vita Series

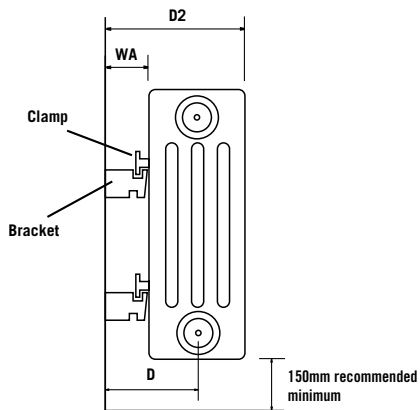
OPTIONAL FLOOR MOUNTING BRACKETS

All dimensions in mm. Inches in brackets.



BRACKET INSTALLATION

All dimensions in mm. Inches in brackets.



MEASUREMENTS USING 10mm CVD BRACKETS SLOT

Add 5mm if using 15mm slot

	WA	D	D2
3 Col	23	73	123
4 Col	23	91	159

BRACKETS AND CLAMPS REQUIRED

	No of Sections
4	0 - 23
6	24 - 41

Number of columns	Wall to centre of connections		Wall to front face of radiator
	Using 10mm bracket slot	Using 15mm bracket slot	
3	73	78	123 or 128
4	91	96	159 or 164

All sizes (approximate) in mm

CONNECTIONS

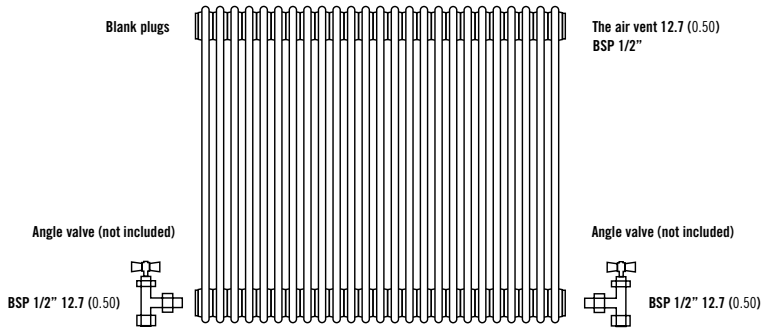
Each radiator comes with 1/2" inlet connections as standard.

VITA COLUMN CONCEPT

Vita Series

VALVE INSTALLATION

All dimensions in mm. Inches in brackets.



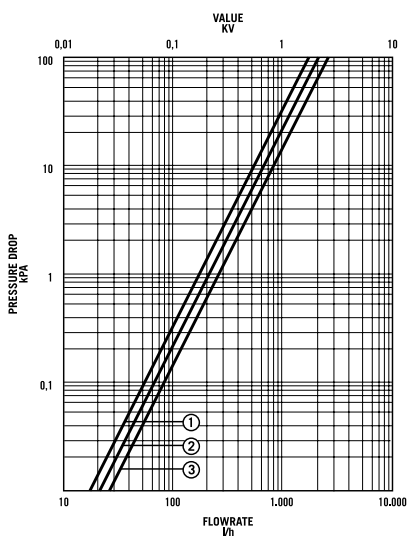
Note: Factory fitted bushes are welded in place and not removable.
If installing TBDE (Top Bottom Opposite End) please note that the radiator MUST be inverted.

EN 442 CERTIFICATION DATA - CETIAT TESTED IN ACCORDANCE WITH BS EN 442

Type	3 Columns	4 Columns
Height	600	600
W/m at 75/65/20	1324	1734
n-coefficients	1.26	1.27
Heated surface area (m ² /m)	3.04	4.13
Weight (kg/m)	30.43	43.48
Water contents (l/m)	19.57	26.09
Wall to tap centre (mm)	73 / 78	91 / 96

Vita Column Concept comes in Anthracite Grey and is available from stock.

PRESSURE DROPS



- ① 2 Column (P1), 11 (K1)
- ② 3 Column (P+), 22 (K2)
- ③ 4 Column (K3)