



VITA COLUMN HORIZONTAL

Vita Series

50 Δt

(75/65/20°C)

Height mm	Length mm	Elements	Columns	Stelrad UIN	Heat output		Price excl VAT	Price incl VAT
					Watts	Btu/hr		
300	858	18	3	463002	576	1966	£198.32	£237.98
	1042	22	3	463003	704	2403	£231.38	£277.66
500	628	13	2	463012	499	1703	£132.22	£158.66
	858	18	2	463013	691	2358	£165.28	£198.34
	628	13	3	463017	671	2290	£145.44	£174.53
	858	18	3	463018	929	3171	£178.48	£214.18
	1042	22	3	463019	1135	3874	£244.60	£293.52
	1272	27	3	463020	1393	4754	£323.93	£388.72
	628	13	2	463028	589	2010	£145.44	£174.53
600	858	18	2	463029	815	2782	£165.28	£198.34
	1042	22	2	463030	997	3403	£211.55	£253.86
	1272	27	2	463031	1223	4174	£271.03	£325.24
	628	13	3	463033	792	2703	£158.65	£190.38
	858	18	3	463034	1096	3741	£185.10	£222.12
	1042	22	3	463035	1340	4573	£211.55	£253.86
	1272	27	3	463036	1644	5611	£284.26	£341.11
	628	13	4	463040	1037	3539	£165.28	£198.34
	858	18	4	463041	1436	4901	£211.55	£253.86
	1042	22	4	463042	1756	5993	£271.03	£325.24
	1272	27	4	463043	2155	7355	£323.93	£388.72

Δt 50 is the UK's industry standard for heating outputs, which has an operating temperature of 75/65/20°C. If you have a low temperature heat source you may wish to consider Δt 40 or Δt 30 output (see your installer or system designer or download from www.stelrad.com).

Due to production tolerances the length of the product and therefore the tap centres could contain a variation of +/- 1.5% of the overall stated length.

For EN442 data, technical and installation information please visit our website: www.stelrad.com and search product downloads.

VITA COLUMN HORIZONTAL FLOOR MOUNTING BRACKETS



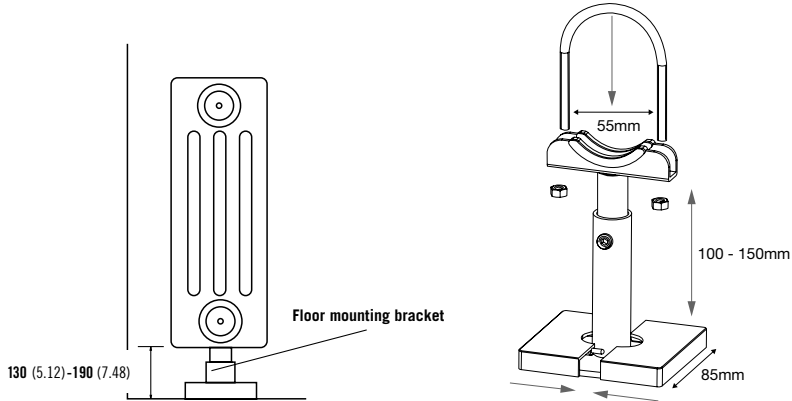
UIN 148137 White
(sold in pairs)

VITA COLUMN HORIZONTAL

Vita Series

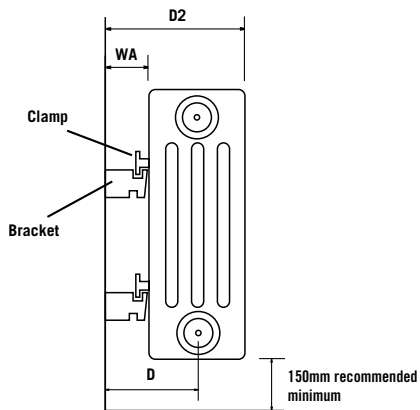
OPTIONAL FLOOR MOUNTING BRACKETS

All dimensions in mm. Inches in brackets.



BRACKET INSTALLATION

All dimensions in mm. Inches in brackets.



MEASUREMENTS USING 10mm CVD BRACKETS SLOT

Add 5mm if using 15mm slot

	WA	D	D2
2 Col	23	54	85
3 Col	23	73	123
4 Col	23	91	159

BRACKETS AND CLAMPS REQUIRED

	No of Sections
4	0 - 23
6	24 - 41

Number of columns	Wall to centre of connections		Wall to front face of radiator
	Using 10mm bracket slot	Using 15mm bracket slot	
2	54	59	85 or 90
3	73	78	123 or 128
4	91	96	159 or 164

All sizes (approximate) in mm

CONNECTIONS

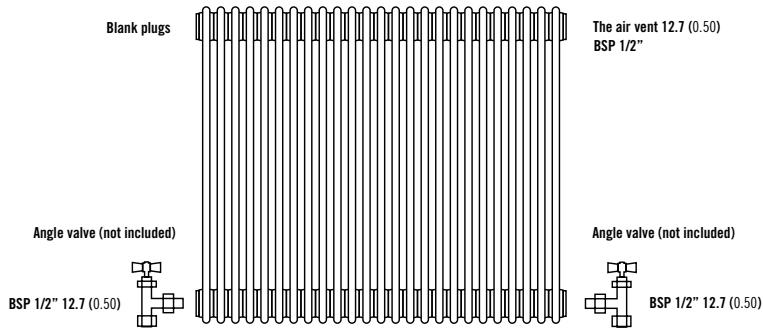
Each radiator comes with 1/2" inlet connections as standard.

VITA COLUMN HORIZONTAL

Vita Series

VALVE INSTALLATION

All dimensions in mm. Inches in brackets.

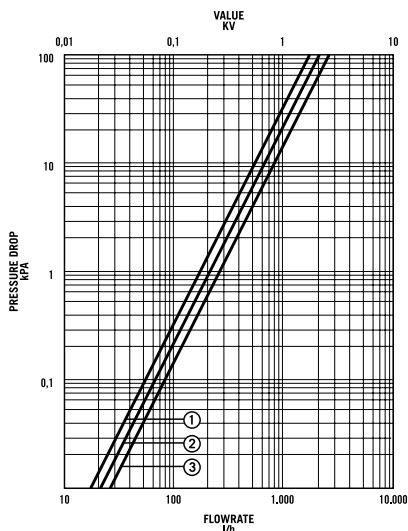


Note: Factory fitted bushes are welded in place and not removable.
If installing TBOE (Top Bottom Opposite End) please note that the radiator MUST be inverted.

EN 442 CERTIFICATION DATA - CETIAT TESTED IN ACCORDANCE WITH BS EN 442

Type	2 Columns		3 Columns			4 Columns
Height	500	600	300	500	600	600
W/m at 75/65/20	835	985	696	1122	1324	1734
n-coefficients	1.25	1.25	1.25	1.25	1.26	1.27
Heated surface area (m ² /m)	1.52	1.96	1.52	2.39	3.04	4.13
Weight (kg/m)	17.39	21.74	15.22	26.09	30.43	43.48
Water contents (l/m)	10.87	13.04	13.04	17.39	19.57	26.09
Wall to tap centre (mm)	54 / 59	54 / 59	73 / 78	73 / 78	73 / 78	91 / 96

PRESSURE DROPS



- ① 2 Column (P1), 11 (K1)
- ② 3 Column (P+), 22 (K2)
- ③ 4 Column (K3)