



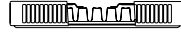
# VITA COMPACT

## Vita Series

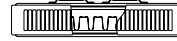
**50 Δt**

(75/65/20°C)

**K1**



**P+**



**K2**



Height mm	Length mm	K1					P+					K2				
		Stelrad UIN	Heat output Watts	Heat output Btu/hr	Price excl VAT	Price incl VAT	Stelrad UIN	Heat output Watts	Heat output Btu/hr	Price excl VAT	Price incl VAT	Stelrad UIN	Heat output Watts	Heat output Btu/hr	Price excl VAT	Price incl VAT
<b>300</b>	500	76301105	247	843	£21.99	£26.39	-	-	-	-	-	76302205	491	1676	£32.79	£39.35
	1000	76301110	494	1686	£35.89	£43.07	-	-	-	-	-	76302210	982	3352	£57.04	£68.45
	1500	76301115	741	2528	£51.04	£61.25	-	-	-	-	-	76302215	1473	5027	£87.65	£105.18
	2000	76301120	988	3371	£69.42	£83.30	-	-	-	-	-	76302220	1964	6703	£121.54	£145.85
<b>450</b>	400	76451104	286	977	£22.45	£26.94	-	-	-	-	-	76452204	548	1870	£35.68	£42.82
	500	76451105	358	1221	£24.95	£29.94	-	-	-	-	-	76452205	686	2341	£41.41	£49.69
	600	76451106	430	1466	£26.21	£31.45	-	-	-	-	-	76452206	823	2809	£45.87	£55.04
	700	76451107	501	1710	£30.57	£36.68	-	-	-	-	-	76452207	960	3276	£49.95	£59.94
	800	76451108	573	1954	£34.93	£41.92	-	-	-	-	-	76452208	1097	3744	£53.02	£63.62
	900	76451109	644	2199	£39.30	£47.16	-	-	-	-	-	76452209	1234	4212	£57.36	£68.83
	1000	76451110	716	2443	£43.66	£52.39	76452110	1055	3601	£59.17	£71.00	76452210	1371	4679	£61.16	£73.39
	1100	76451111	788	2687	£48.03	£57.64	76452111	1161	3962	£65.11	£78.13	76452211	1508	5147	£67.30	£80.76
	1200	76451112	859	2932	£52.40	£62.88	76452112	1266	4321	£71.00	£85.20	76452212	1645	5614	£73.40	£88.08
	1400	76451114	1002	3420	£61.12	£73.34	76452114	1477	5041	£82.84	£99.41	76452214	1920	6550	£94.55	£113.46
	1600	76451116	1146	3909	£69.86	£83.83	76452116	1688	5761	£94.67	£113.60	76452216	2195	7488	£108.05	£129.66
	1800	76451118	1289	4397	£85.33	£102.40	-	-	-	-	-	76452218	2469	8423	£121.58	£145.90
2000	76451120	1432	4886	£96.71	£116.05	-	-	-	-	-	76452220	2743	9359	£140.48	£168.58	
<b>600</b>	400	76601104	369	1260	£24.50	£29.40	76602104	538	1836	£32.71	£39.25	76602204	693	2365	£38.93	£46.72
	500	76601105	462	1575	£27.22	£32.66	76602105	673	2297	£38.12	£45.74	76602205	866	2956	£45.19	£54.23
	600	76601106	554	1890	£28.58	£34.30	76602106	807	2754	£42.41	£50.89	76602206	1039	3546	£50.04	£60.05
	700	76601107	646	2204	£33.34	£40.01	76602107	942	3215	£45.58	£54.70	76602207	1212	4137	£54.50	£65.40
	800	76601108	738	2519	£38.11	£45.73	76602108	1076	3672	£52.09	£62.51	76602208	1386	4730	£57.82	£69.38
	900	76601109	831	2834	£42.86	£51.43	76602109	1211	4133	£58.61	£70.33	76602209	1559	5321	£62.55	£75.06
	1000	76601110	923	3149	£47.62	£57.14	76602110	1345	4590	£65.12	£78.14	76602210	1732	5911	£66.73	£80.08
	1100	76601111	1015	3464	£52.40	£62.88	76602111	1480	5051	£71.65	£85.98	76602211	1906	6502	£73.40	£88.08
	1200	76601112	1108	3779	£57.15	£68.58	76602112	1615	5509	£78.15	£93.78	76602212	2078	7092	£80.06	£96.07
	1400	76601114	1292	4409	£66.68	£80.02	76602114	1884	6427	£91.18	£109.42	76602214	2426	8277	£103.15	£123.78
	1600	76601116	1477	5039	£76.22	£91.46	76602116	2153	7345	£104.21	£125.05	76602216	2772	9457	£117.87	£141.44
	1800	76601118	1661	5669	£93.09	£111.71	-	-	-	-	-	76602218	3119	10642	£132.61	£159.13
2000	76601120	1846	6299	£107.57	£129.08	-	-	-	-	-	76602220	3465	11823	£202.96	£243.55	
<b>700</b>	400	76701104	421	1436	£33.48	£40.18	-	-	-	-	-	76702204	784	2676	£53.20	£63.84
	500	76701105	526	1795	£37.20	£44.64	-	-	-	-	-	76702205	981	3348	£61.74	£74.09
	600	76701106	631	2154	£39.05	£46.86	-	-	-	-	-	76702206	1177	4017	£68.39	£82.07
	700	76701107	736	2513	£45.57	£54.68	-	-	-	-	-	76702207	1373	4686	£74.46	£89.35
	800	76701108	842	2872	£52.08	£62.50	-	-	-	-	-	76702208	1569	5355	£79.02	£94.82
	900	76701109	947	3230	£58.59	£70.31	-	-	-	-	-	76702209	1765	6024	£85.50	£102.60
	1000	76701110	1052	3589	£65.10	£78.12	-	-	-	-	-	76702210	1962	6693	£91.19	£109.43
	1100	76701111	1157	3948	£71.60	£85.92	-	-	-	-	-	76702211	2158	7362	£100.30	£120.36
	1200	76701112	1262	4307	£78.12	£93.74	-	-	-	-	-	76702212	2354	8031	£109.43	£131.32
	1400	76701114	1473	5025	£91.15	£109.38	-	-	-	-	-	76702214	2746	9369	£140.96	£169.15
	1600	76701116	1683	5743	£104.16	£124.99	-	-	-	-	-	76702216	3139	10710	£161.11	£193.33
	1800	76701118	1894	6461	£127.23	£152.68	-	-	-	-	-	76702218	3531	12048	£181.24	£217.49
2000	76701120	2104	7179	£147.02	£176.42	-	-	-	-	-	76702220	3923	13387	£209.44	£251.33	

Δt50 is the UK's industry standard for heating outputs, which has an operating temperature of 75/65/20°C. If you have a low temperature heat source you may wish to consider Δt40 or Δt30 output (see your installer or system designer or download from [www.stelrad.com](http://www.stelrad.com)).

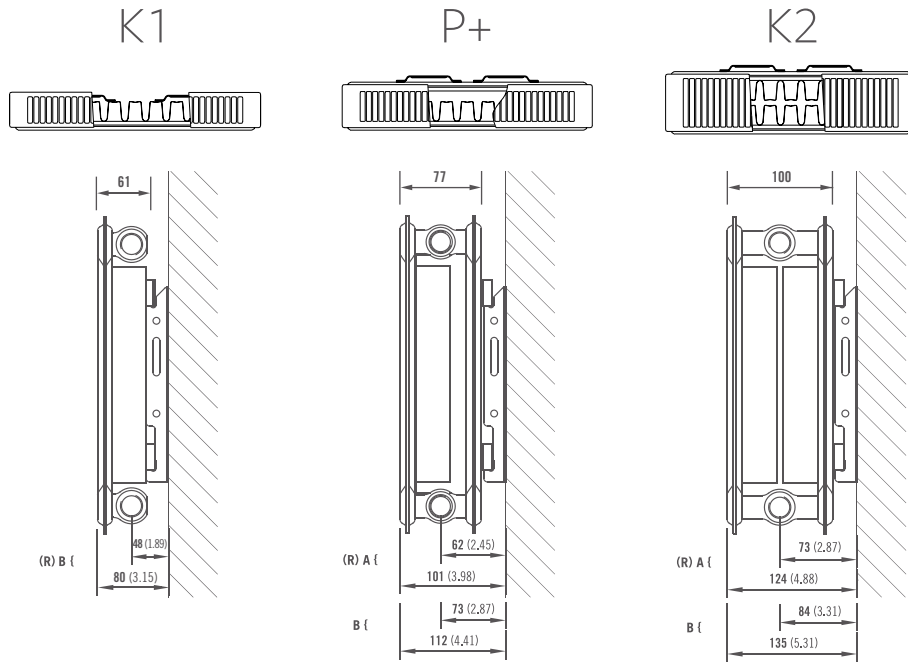
For EN442 data, technical and installation information please visit our website: [www.stelrad.com](http://www.stelrad.com) and search product downloads.

# VITA COMPACT

Vita Series

## WALL MOUNTING AND LUG INFORMATION

All dimensions in mm. Inches in brackets.



Compact bracket position. A = Closest to wall / B = Furthest from wall / (R) = Recommended mounting position

K1 long only - position B. P+ and K2 can be position A or B.

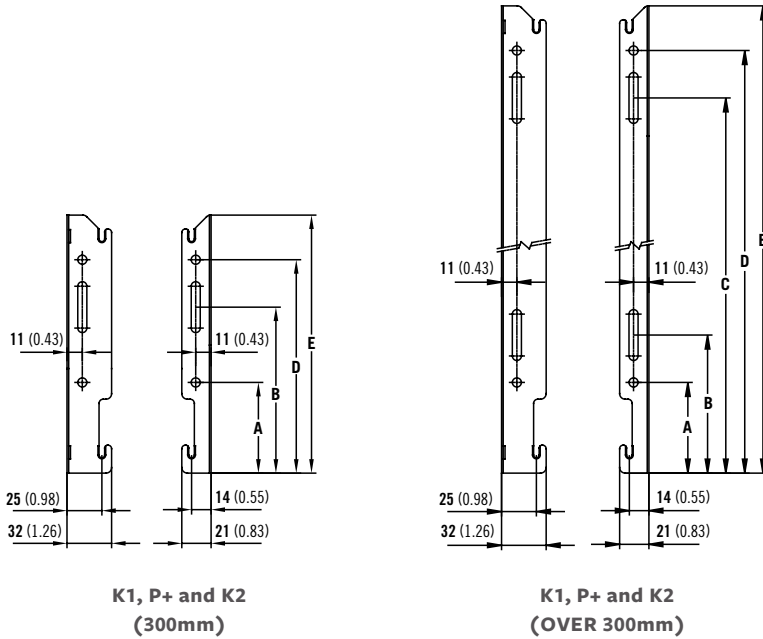
# VITA COMPACT

Vita Series

## MOUNTING BRACKETS

All dimensions in mm. Inches in brackets.

Floor mounting brackets available.



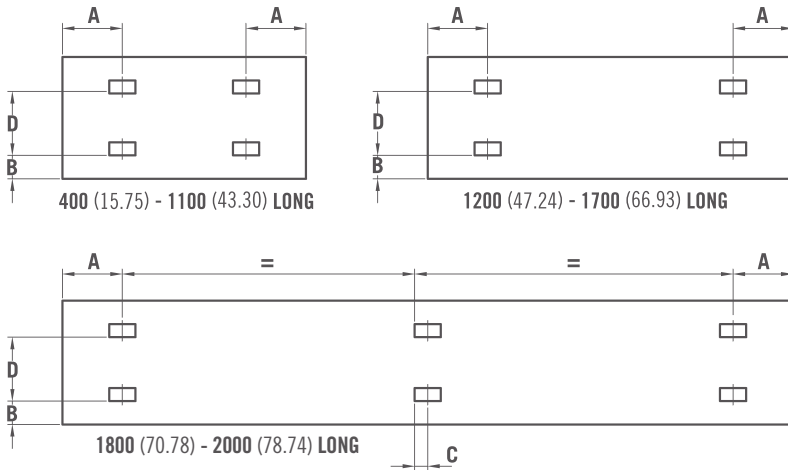
### K1, P+ AND K2 (300mm)

Dimensions	mm	inches	mm	inches	mm	inches	mm	inches
Height	300	11.81	450	17.72	600	23.62	700	27.56
<b>A</b>	65	2.56	65	2.56	65	2.56	65	2.56
<b>B</b>	119	4.69	99	3.90	99	3.90	99	3.90
<b>C</b>	-	-	269	10.59	419	16.50	519	20.43
<b>D</b>	153	6.02	303	11.93	453	17.83	553	21.77
<b>E</b>	185	7.28	335	13.19	485	19.09	585	23.03

# VITA COMPACT

Vita Series

## K1, P+ AND K2 LUG POSITION



### PANEL HEIGHT

D		D	
mm	in	mm	in
300	11.81	155	6.10
450	17.72	305	12.01
600	23.62	455	17.91
700	27.56	555	21.95

### K1

### P+ & K2

Dimensions	mm	in	mm	in
<b>A</b> 400mm	117	4.61	133	5.24
<b>A</b> 500 - 2000mm	150	5.91	133	5.24
<b>B</b> 400 - 2000mm	60	2.36	60	2.36
<b>C</b> 1800 - 2000mm	17	0.67	L/2	L/2

L/2 is the length divided by two.

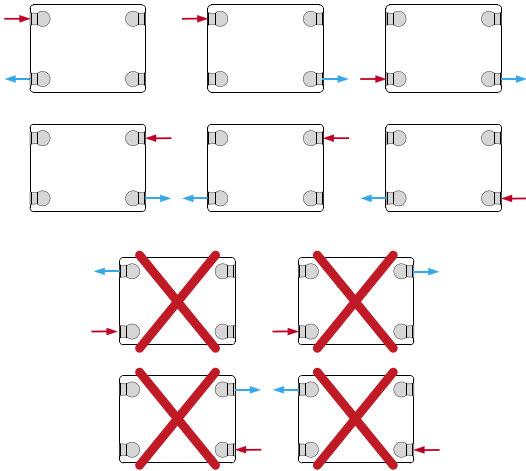
## CONNECTIONS

Each radiator comes with 1/2" inlet connections as standard.

# VITA COMPACT

Vita Series

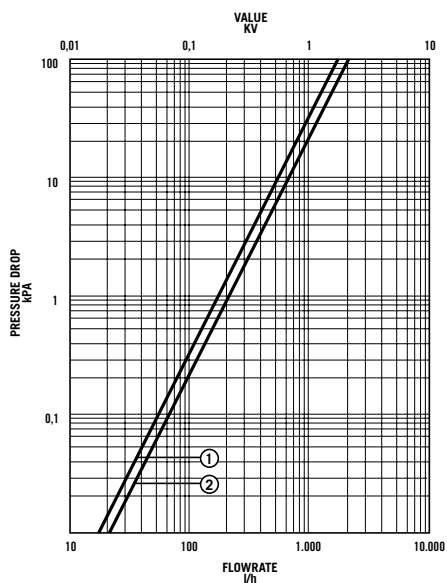
## COMPACT PIPING OPTIONS



## EN 442 CERTIFICATION DATA - CETIAT TESTED IN ACCORDANCE WITH BS EN 442

Type	K1				P+		K2			
Height	300	450	600	700	450	600	300	450	600	700
W/m at 75/65/20	494	716	923	1052	1055	1345	982	1371	1732	1961
n-coefficients	1.27	1.28	1.29	1.31	1.33	1.34	1.33	1.33	1.33	1.34
Heated surface area (m <sup>2</sup> /m)	1.75	2.82	3.87	4.58	3.84	5.24	3.51	5.62	7.74	9.15
Weight (kg/m)	8.16	12.80	17.45	20.05	22.04	29.8	16.8	25.9	35	40.53
Water contents (l/m)	1.88	2.59	3.30	3.80	5.15	6.60	3.70	5.15	6.60	7.63
Wall to tap centre (mm)	48	48	48	48	62	62	73	73	73	73

## PRESSURE DROP



- ① Type 11 (K1)
- ② Type 21 (P+), 22 (K2)