



50 Δt

(75/65/20°C)

K1



K2



Height mm	Length mm	Stelrad UIN	Heat output		Price excl VAT	Price incl VAT	Stelrad UIN	Heat output		Price excl VAT	Price incl VAT
			Watts	Btu/h				Watts	Btu/h		
300	500	81301105	235	802	£56.08	£67.30	81302205	465	1587	£83.61	£100.33
	1000	81301110	469	1601	£91.53	£109.84	81302210	929	3171	£145.49	£174.59
	1500	81301115	704	2401	£130.18	£156.22	81302215	1394	4756	£223.52	£268.22
450	400	81451104	268	915	£57.26	£68.71	81452204	500	1705	£91.00	£109.20
	600	81451106	403	1376	£66.81	£80.17	81452206	750	2559	£116.97	£140.36
	800	81451108	537	1834	£89.07	£106.88	81452208	999	3410	£135.16	£162.19
	1000	81451110	672	2292	£111.34	£133.61	81452210	1249	4262	£155.96	£187.15
	1200	81451112	806	2751	£133.61	£160.33	81452212	1499	5114	£187.17	£224.60
	1400	81451114	941	3209	£155.89	£187.07	81452214	1749	5967	£241.09	£289.31
	1600	81451116	1075	3668	£178.15	£213.78	81452216	1999	6819	£275.53	£330.64
	1800	81451118	1209	4126	£217.59	£261.11	81452218	2248	7672	£310.00	£372.00
600	400	81601104	348	1188	£62.44	£74.93	81602204	640	2184	£99.26	£119.11
	600	81601106	522	1782	£72.88	£87.46	81602206	961	3280	£127.60	£153.12
	800	81601108	696	2375	£97.16	£116.59	81602208	1281	4372	£147.48	£176.98
	1000	81601110	870	2969	£121.46	£145.75	81602210	1601	5464	£170.16	£204.19
	1200	81601112	1044	3563	£145.72	£174.86	81602212	1921	6556	£204.17	£245.00
	1400	81601114	1218	4157	£170.05	£204.06	81602214	2242	7649	£263.03	£315.64
	1600	81601116	1392	4751	£194.34	£233.21	81602216	2563	8744	£300.59	£360.71
	1800	81601118	1566	5345	£237.36	£284.83	81602218	2883	9836	£338.16	£405.79
	2000	81601120	1740	5939	£243.46	£292.15	81602220	3203	10928	£517.55	£621.06

Δt 50 is the UK's industry standard for heating outputs, which has an operating temperature of 75/65/20°C. If you have a low temperature heat source you may wish to consider Δt 40 or Δt 30 output (see your installer or system designer or download from www.stelrad.com).

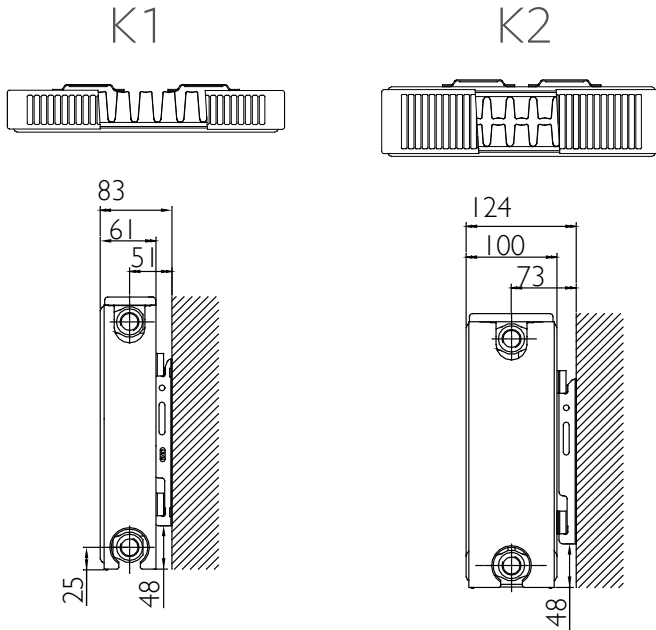
For EN442 data, technical and installation information please visit our website: www.stelrad.com and search product downloads.

VITA PLAN

Vita Series

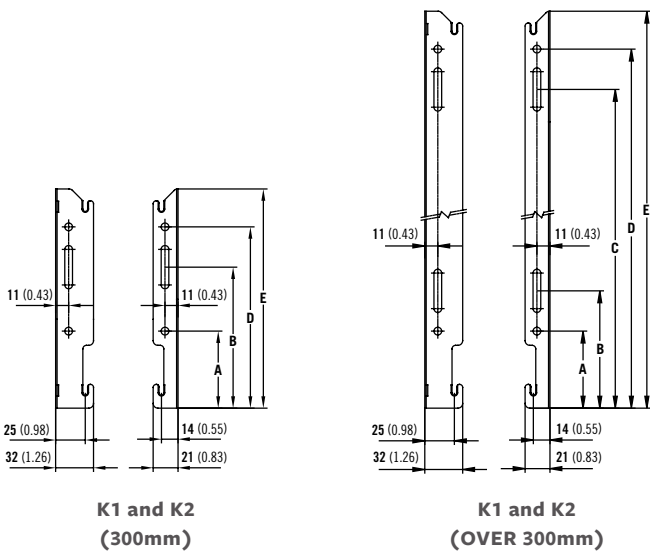
WALL MOUNTING AND LUG INFORMATION

All dimensions in mm. Inches in brackets.



MOUNTING BRACKETS

All dimensions in mm. Inches in brackets. Floor mounting brackets available.



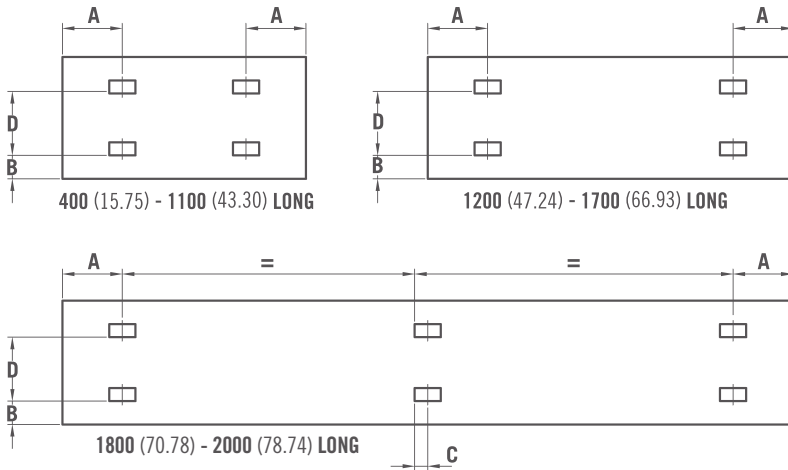
Dimensions	mm	inches	mm	inches	mm	inches
Height	300	11.81	450	17.72	600	23.62
A	65	2.56	65	2.56	65	2.56
B	119	4.69	99	3.90	99	3.90
C	-	-	269	10.59	419	16.50
D	153	6.02	303	11.93	453	17.83
E	185	7.28	335	13.19	485	19.09

VITA PLAN

Vita Series

K1 & K2 LUG POSITIONS (New as of June 2016).

All dimensions in mm. Inches in brackets.



PANEL HEIGHT

D		D	
mm	in	mm	in
300	11.81	155	6.10
450	17.72	305	12.01
600	23.62	455	17.91
700	27.56	555	21.95

K1

K2

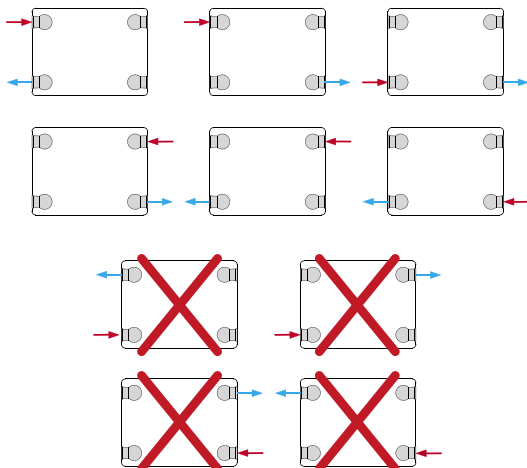
Dimensions	mm	in	mm	in
A 400mm	117	4.61	133	5.24
A 500 - 2000mm	150	5.91	133	5.24
B 400 - 2000mm	60	2.36	60	2.36
C 1800 - 2000mm	17	0.67	L/2	L/2

L/2 is the length divided by two.

CONNECTIONS

Each radiator comes with 1/2" inlet connections as standard.

PIPING OPTIONS



EN 442 CERTIFICATION DATA - CETIAT TESTED IN ACCORDANCE WITH BS EN 442

Type	K1			K2		
	300	450	600	300	450	600
Height	300	450	600	300	450	600
W/m at 75/65/20	469	701	911	929	1296	1634
n-coefficients	1.30	1.29	1.28	1.30	1.31	1.32
Heated surface area (m ² /m)	2.09	3.37	4.66	3.51	5.62	7.74
Weight (kg/m)	11.88	18.26	24.65	19.60	29.80	40.00
Water contents (l/m)	1.89	2.49	3.25	3.70	5.05	6.60
Wall to tap centre (mm)	51	51	51	73	73	73

PRESSURE DROP

