



### 50 $\Delta t$

(75/65/20°C)

**P+**



**K2**



Front Panel Height mm	Emitter Height mm	Front Panel Length mm	Emitter Length mm	Stelrad UIN	Heat output Watts	Btu/h	Price excl VAT	Price incl VAT	Stelrad UIN	Heat output Watts	Btu/h	Price excl VAT	Price incl VAT
<b>545</b>	<b>500</b>	470	400	-	-	-	-	-	83512204	410	1398	£162.19	£194.63
		670	600	-	-	-	-	-	83512206	614	2096	£208.48	£250.18
		870	800	-	-	-	-	-	83512208	819	2795	£240.92	£289.10
		1070	1000	-	-	-	-	-	83512210	1024	3494	£278.03	£333.64
		1270	1200	-	-	-	-	-	83512212	1229	4193	£333.65	£400.38
		1470	1400	-	-	-	-	-	83512214	1434	4892	£429.78	£515.74
		1670	1600	-	-	-	-	-	83512216	1638	5590	£491.17	£589.40
		1870	1800	-	-	-	-	-	83512218	1843	6289	£552.56	£663.07
2070	2000	-	-	-	-	-	83512220	2048	6988	£845.63	£1,014.76		
<b>645</b>	<b>600</b>	470	400	83612104	474	1616	£163.59	£196.31	83612204	640	2184	£194.63	£233.56
		670	600	83612106	710	2424	£212.04	£254.45	83612206	961	3280	£250.19	£300.23
		870	800	83612108	947	3232	£260.50	£312.60	83612208	1281	4372	£289.16	£346.99
		1070	1000	83612110	1184	4040	£325.64	£390.77	83612210	1601	5464	£333.65	£400.38
		1270	1200	83612112	1421	4848	£390.72	£468.86	83612212	1921	6556	£400.32	£480.38
		1470	1400	83612114	1658	5656	£455.88	£547.06	83612214	2242	7649	£515.76	£618.91
		1670	1600	83612116	1894	6464	£521.04	£625.25	83612216	2563	8744	£589.41	£707.29
		1870	1800	83612118	2131	7272	£704.81	£845.77	83612218	2883	9836	£663.04	£795.65
2070	2000	83612120	2368	8080	£774.49	£929.39	83612220	3203	10928	£1,014.78	£1,217.74		

$\Delta t$ 50 is the UK's industry standard for heating outputs, which has an operating temperature of 75/65/20°C. If you have a low temperature heat source you may wish to consider  $\Delta t$ 40 or  $\Delta t$ 30 output (see your installer or system designer or download from [www.stelrad.com](http://www.stelrad.com)).

For EN442 data, technical and installation information please visit our website: [www.stelrad.com](http://www.stelrad.com) and search product downloads.

### VITA ULTRA TOWEL RAIL BAR



Fits emitter length	Stelrad UIN	Price excl VAT	Price incl VAT
400mm wide	83100004	£77.73	£93.28
600mm wide	83100006	£91.57	£109.88
800mm wide	83100008	£105.58	£126.70
1000mm wide	83100010	£118.10	£141.72

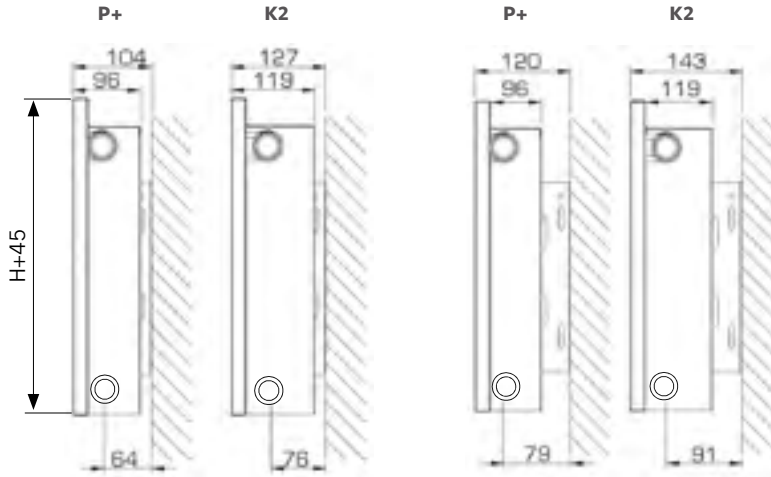
Towel rail bar is 120mm wider than actual radiator.  
Maximum two towel rail bars per radiator.  
For more information visit [www.stelrad.com](http://www.stelrad.com)



Comes with a 2 year warranty.

### WALL MOUNTING AND LUG INFORMATION

All dimensions in mm. Inches in brackets.



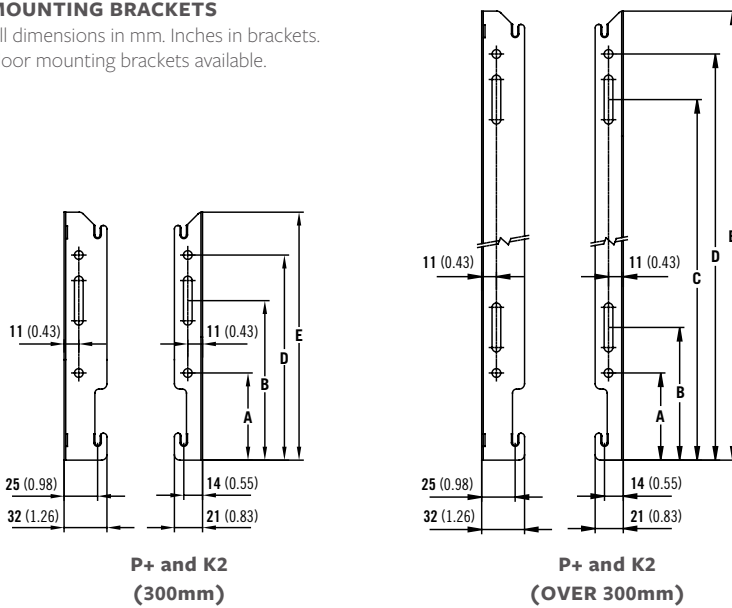
Mounting on short side of L-bracket

Mounting on long side of L-bracket

### MOUNTING BRACKETS

All dimensions in mm. Inches in brackets.

Floor mounting brackets available.



**P+ and K2  
(300mm)**

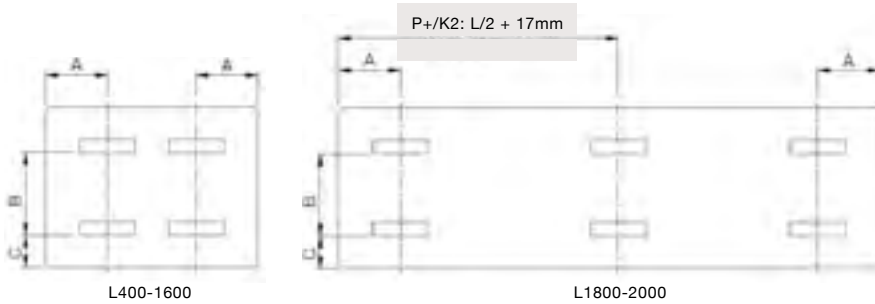
**P+ and K2  
(OVER 300mm)**

### P+ AND K2 (300mm)

Dimensions	mm	inches	mm	inches	mm	inches	mm	inches
Height	300	11.81	450	17.72	600	23.62	700	27.56
<b>A</b>	65	2.56	65	2.56	65	2.56	65	2.56
<b>B</b>	119	4.69	99	3.90	99	3.90	99	3.90
<b>C</b>	-	-	269	10.59	419	16.50	519	20.43
<b>D</b>	153	6.02	303	11.93	453	17.83	553	21.77
<b>E</b>	185	7.28	335	13.19	485	19.09	585	23.03

### P+ AND K2 LUGS POSITIONS

All dimensions in mm. Inches in brackets.



Length	A	H	B	C
	P+/K2			
1200 - 1600	133	-	-	-
500 - 1100mm	133	500	305	60
1200 - 1600	133	600	455	60
1800 - 2000	133	-	-	-

Above positions are with respect to the edge of the emitter, not the front panel.

### CONNECTIONS

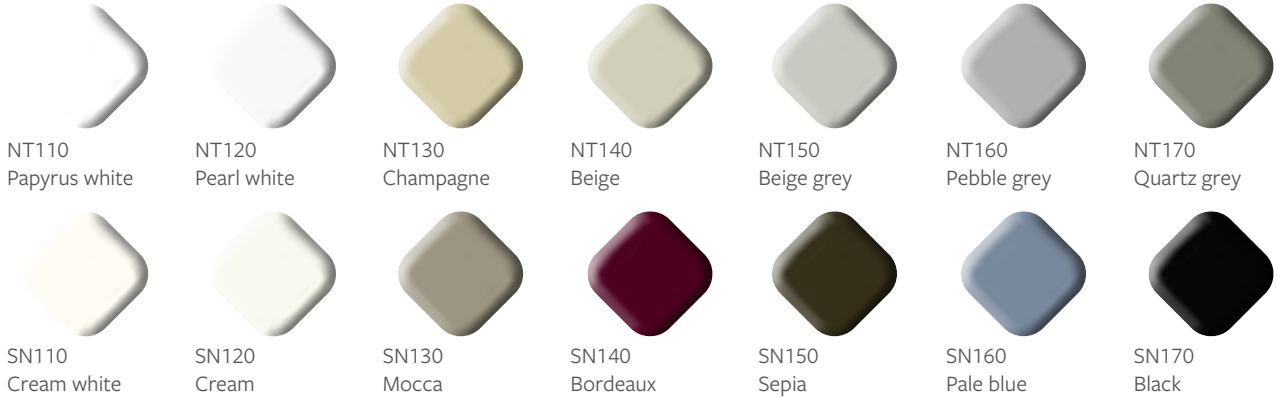
Each radiator comes with 1/2" inlet connections as standard.

### EN 442 CERTIFICATION DATA - CETIAT TESTED IN ACCORDANCE WITH BS EN 442

Type	P+	K2	
Height	600	500	600
W/m at 75/65/20	1184	1304	1498
n-coefficients	1.31	1.29	1.30
Heated surface area (m <sup>2</sup> /m)	5.24	6.33	7.74
Weight (kg/m)	34.80	32.73	38.80
Water contents (l/m)	6.80	5.83	6.90

# COLOUR GUIDE

## NATURAL COLOURS



## METALLIC COLOURS



## RAL COLOURS



FOR FURTHER INFORMATION ON RAL COLOURS PLEASE VISIT [WWW.RALCOLOR.COM](http://WWW.RALCOLOR.COM)

\*Please note: when choosing a colour only the front fascia panel can be coloured, the emitter, top grille and panels are black.



RAL 9016\*\*  
Traffic white  
comes as  
standard on  
all radiators.

Stelrad Radiators are available in white (RAL 9016) as standard, however the specific Radiators identified are now available in a variety of colours. The colours shown are reproduced as accurately as this process will allow and can be made to order on the identified products.

All colour radiators have up to an 8 week lead time, and when a coloured radiator or radiators have been ordered they cannot be cancelled or returned.

To request a colour chart please email  
[marketing@stelrad.com](mailto:marketing@stelrad.com)