

# VITA CONCORD VERTICAL

Vita Series

## 50 $\Delta t$

(75/65/20°C)

Height mm	Length mm	Elements	SINGLE				DOUBLE					
			Stelrad UIN	Heat output Watts	Heat output Btu/hr	Price excl VAT	Price incl VAT	Stelrad UIN	Heat output Watts	Heat output Btu/hr	Price excl VAT	Price incl VAT
<b>1800</b>	444	6	448340	852	2907	£183.45	£220.14	448640	1254	3938	£330.20	£396.24
	592	8	448341	1136	3876	£205.06	£246.07	448641	1672	5250	£379.36	£455.23
	740	10	448342	1420	4845	£237.43	£284.92	448642	2090	6563	£451.12	£541.34
<b>2000</b>	444	6	448343	942	3214	£191.85	£230.22	448643	1386	4352	£364.51	£437.41
	592	8	448344	1256	4286	£213.45	£256.14	448644	1848	5803	£405.55	£486.66
	740	10	448345	1570	5357	£245.81	£294.97	448645	2310	7253	£479.32	£575.18

$\Delta t$ 50 is the UK's industry standard for heating outputs, which has an operating temperature of 75/65/20°C. If you have a low temperature heat source you may wish to consider  $\Delta t$ 40 or  $\Delta t$ 30 output (see your installer or system designer or download from [www.stelrad.com](http://www.stelrad.com)).

For EN442 data, technical and installation information please visit our website: [www.stelrad.com](http://www.stelrad.com) and search product downloads.

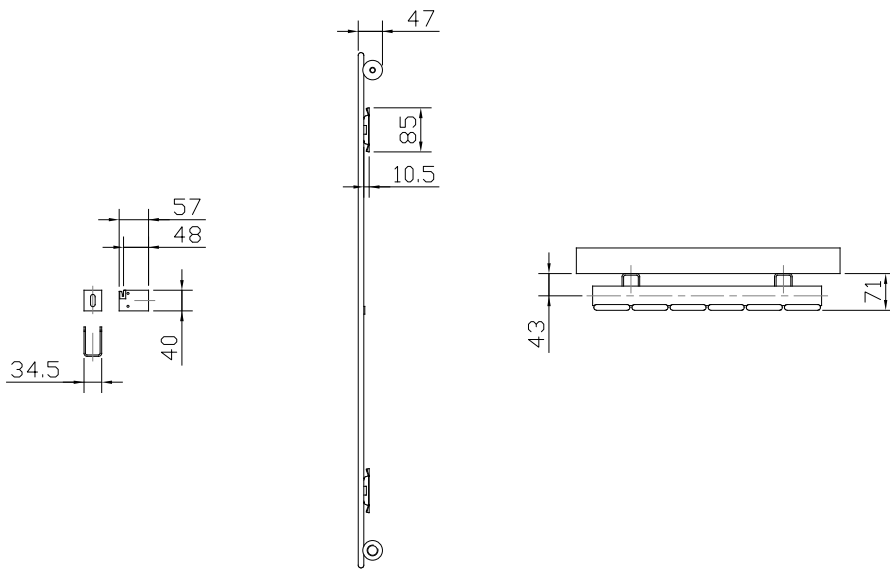
# VITA CONCORD VERTICAL

Vita Series

## WALL MOUNTING INFORMATION

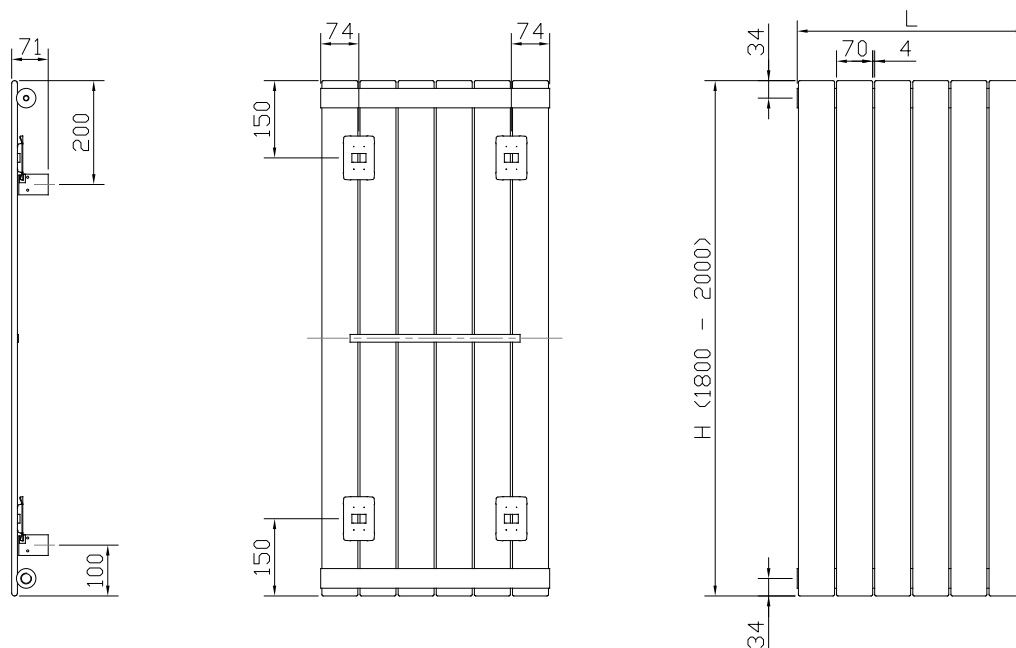
All dimensions in mm.

Type	From back of radiator to wall		From wall to centre of connections		From front of radiator to wall	
	mm	inches	mm	inches	mm	inches
Vertical	24	0.98	43	1.69	71	2.80



## FIXING POSITIONS

All dimensions in mm. Inches in brackets.



## CONNECTIONS

Each radiator comes with 1/2" inlet connections as standard.

# VITA CONCORD VERTICAL

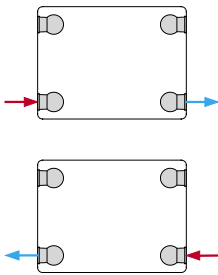
Vita Series

## EN 442 CERTIFICATION DATA - CETIAT TESTED IN ACCORDANCE WITH BS EN 442

Type	Vertical	
	1800	2000
Height	1800	2000
W/m at 75/65/20	1846	2041
n-coefficients	1.31	1.31
Heated surface area (m <sup>2</sup> /m)	4.01	4.42
Weight (kg/m)	44.2	49.4
Water contents (l/m)	14.3	16.9
Wall to tap centre (mm)	43	43

## STEEL THICKNESS 1.25mm

## PIPING INSTRUCTIONS



## PRESSURE DROPS

