



SOFTLINE CONCORD VERTICAL

Softline Series

50 Δt

(75/65/20°C)

| Height mm | Length mm | Elements | SINGLE | | | | DOUBLE | | | | | |
|--------------|--------------|----------|----------------|----------------------|-----------------------|-------------------|-------------------|----------------|----------------------|-----------------------|-------------------|-------------------|
| | | | Stelrad UIN | Heat output Watts | Heat output Btu/hr | Price excl VAT | Price incl VAT | Stelrad UIN | Heat output Watts | Heat output Btu/hr | Price excl VAT | Price incl VAT |
| 1800 | 444 | 6 | 548340 | 852 | 2907 | £192.23 | £230.68 | 548640 | 1254 | 4279 | £346.01 | £415.21 |
| | 592 | 8 | 548341 | 1136 | 3876 | £214.88 | £257.86 | 548641 | 1672 | 5705 | £397.53 | £477.04 |
| | 740 | 10 | 548342 | 1420 | 4845 | £248.81 | £298.57 | 548642 | 2090 | 7131 | £472.73 | £567.28 |
| 2000 | 444 | 6 | 548343 | 942 | 3214 | £201.04 | £241.25 | 548643 | 1386 | 4729 | £381.97 | £458.36 |
| | 592 | 8 | 548344 | 1256 | 4286 | £223.67 | £268.40 | 548644 | 1848 | 6306 | £424.98 | £509.98 |
| | 740 | 10 | 548345 | 1570 | 5357 | £257.59 | £309.11 | 548645 | 2310 | 7882 | £502.29 | £602.75 |

Δt 50 is the UK's industry standard for heating outputs, which has an operating temperature of 75/65/20°C. If you have a low temperature heat source you may wish to consider Δt 40 or Δt 30 output (see your installer or system designer or download from www.stelrad.com).

For EN442 data, technical and installation information please visit our website: www.stelrad.com and search product downloads.

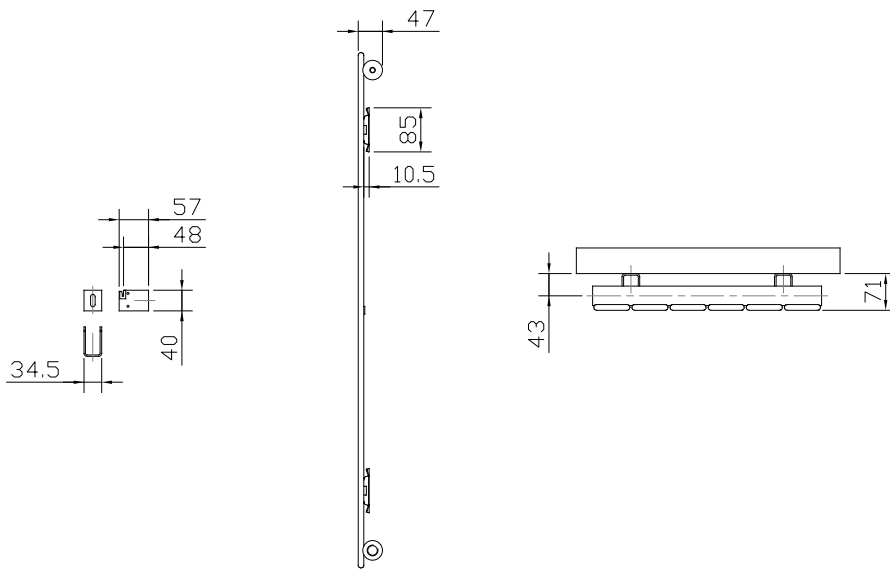
SOFTLINE CONCORD VERTICAL

Softline Series

WALL MOUNTING INFORMATION

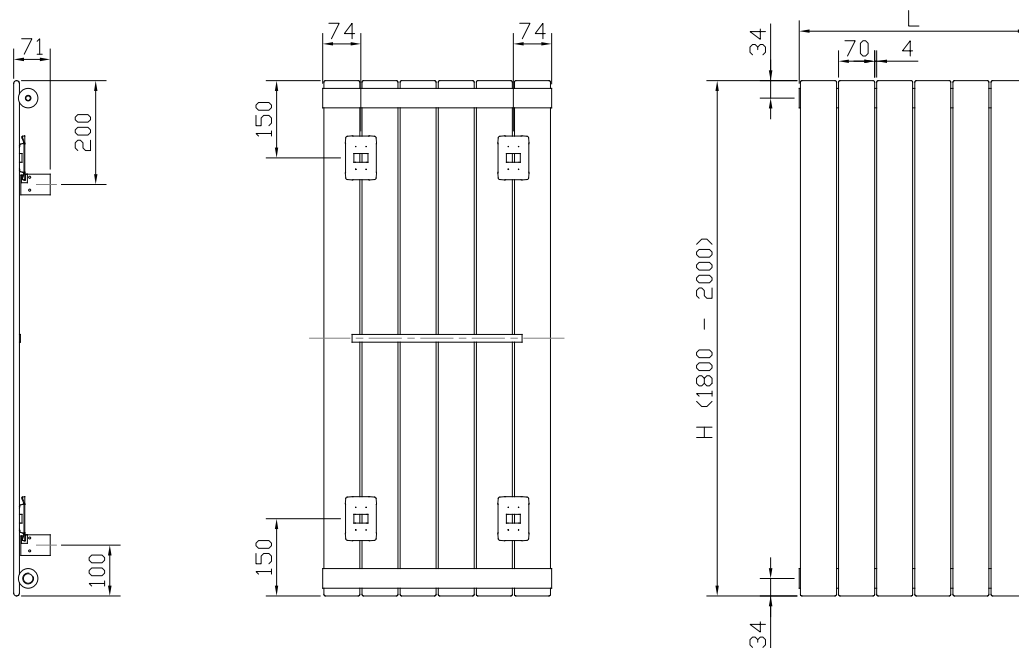
All dimensions in mm.

| Type | From back of radiator to wall | | From wall to centre of connections | | From front of radiator to wall | |
|----------|-------------------------------|--------|------------------------------------|--------|--------------------------------|--------|
| | mm | inches | mm | inches | mm | inches |
| Vertical | 24 | 0.98 | 43 | 1.69 | 71 | 2.80 |



FIXING POSITIONS

All dimensions in mm. Inches in brackets.



CONNECTIONS

Each radiator comes with 1/2" inlet connections as standard.

SOFTLINE CONCORD VERTICAL

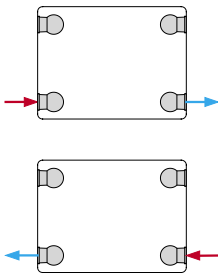
Softline Series

EN 442 CERTIFICATION DATA - CETIAT TESTED IN ACCORDANCE WITH BS EN 442

| Type | Vertical | |
|---|----------|------|
| | 1800 | 2000 |
| Height | 1800 | 2000 |
| W/m at 75/65/20 | 1846 | 2041 |
| n-coefficients | 1.31 | 1.31 |
| Heated surface area (m ² /m) | 4.01 | 4.42 |
| Weight (kg/m) | 44.2 | 49.4 |
| Water contents (l/m) | 14.3 | 16.9 |
| Wall to tap centre (mm) | 43 | 43 |

STEEL THICKNESS 1.25mm

PIPING INSTRUCTIONS



PRESSURE DROPS

