



- One-piece 3.5mm steel fascia
- High end engineered specification product
- Built to withstand high impact
- High heat output
- Price competitive
- Dedicated support team
- Piping connections the same as the Stelrad Compact
- 100% eco-friendly product & packaging

50 Δt

(75/65/20°C)

K1



K2



Height mm	Length mm	Stelrad UIN	Heat output		Stelrad UIN	Heat output	
			Watts	Btu/h		Watts	Btu/h
450	400	7641104	272	915	7642204	509	1705
	600	7641106	409	1376	7642206	764	2559
	800	7641108	545	1834	7642208	1018	3410
	1000	7641110	681	2292	7642210	1273	4262
	1200	7641112	817	2751	7642212	1528	5114
	1400	7641114	953	3209	7642214	1782	5967
	1600	7641116	1090	3668	7642216	2037	6819
	1800	7641118	1226	4126	7642218	2291	7672
600	2000	7641120	1362	4648	7642220	2546	8686
	400	7661104	348	1187	7662204	640	2184
	600	7661106	522	1781	7662206	961	3280
	800	7661108	696	2375	7662208	1281	4372
	1000	7661110	870	2968	7662210	1601	5464
	1200	7661112	1044	3562	7662212	1921	6556
	1400	7661114	1218	4156	7662214	2241	7649
	1600	7661116	1392	4750	7662216	2562	8744
1800	7661118	1566	5343	7662218	2882	9836	
2000	7661120	1740	5937	7662220	3202	10928	

$\Delta t50$ is the UK's industry standard for heating outputs, which has an operating temperature of 75/65/20°C. If you have a low temperature heat source you may wish to consider $\Delta t40$ or $\Delta t30$ output (see your installer or system designer or download from www.stelrad.com).

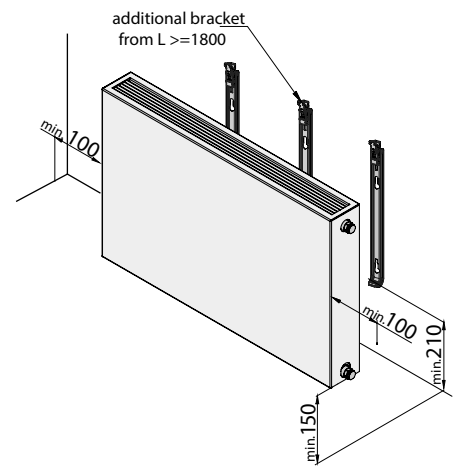
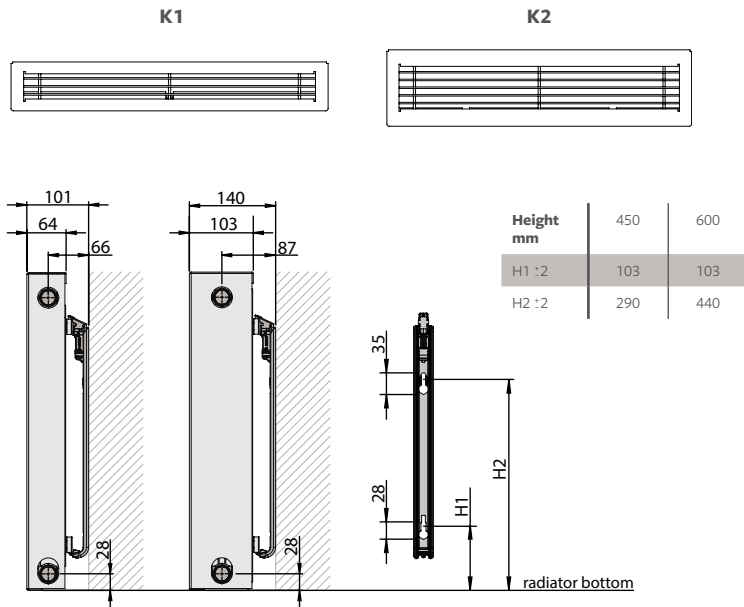
For EN442 data, technical and installation information please visit our website: www.stelrad.com and search product downloads.

HEAVY DUTY DECO

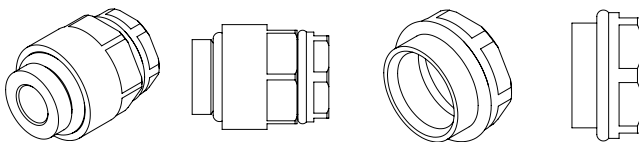
Special Application Series

WALL MOUNTING INFORMATION

All dimensions in mm. Inches in brackets.



EXTENSION PIECE AND AIR VENT IS INCLUDED IN THE HARDWARE PACK



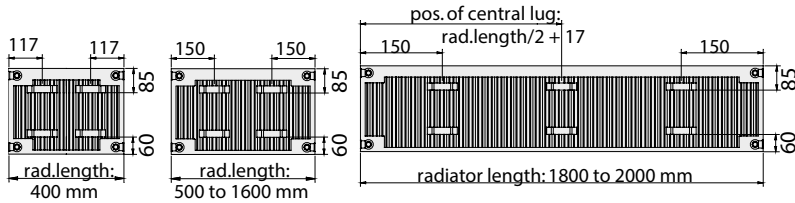
HEAVY DUTY DECO

Special Application Series

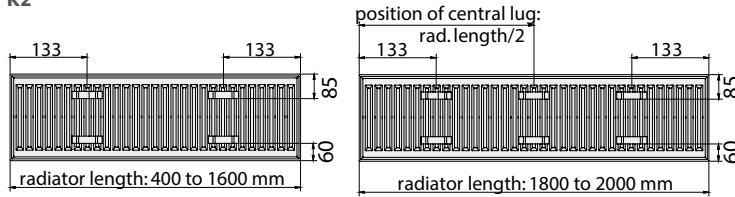
K1 AND K2 LUG POSITIONS

All dimensions in mm. Inches in brackets.

K1



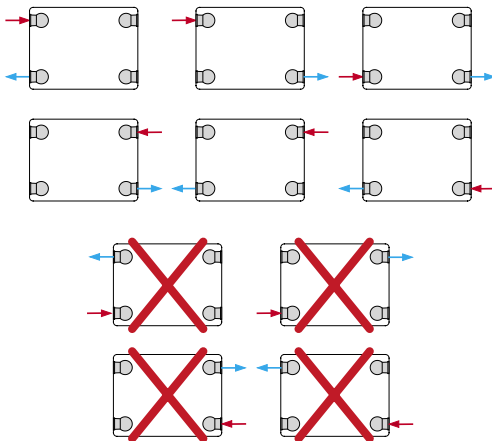
K2



CONNECTIONS

Each radiator comes with 1/2" inlet connections as standard.

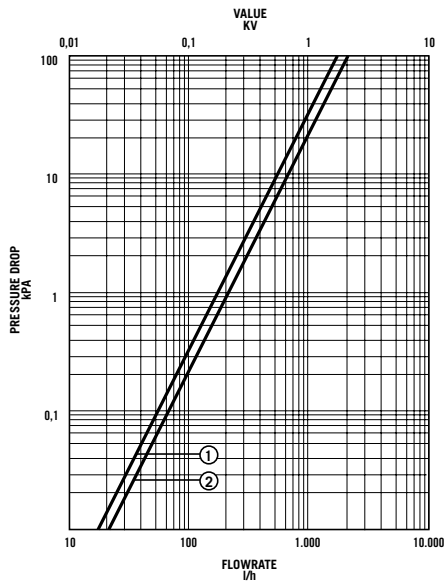
PIPING OPTIONS



EN 442 CERTIFICATION DATA - CETIAT TESTED IN ACCORDANCE WITH BS EN 442

Type	K1		K2	
Height	450	600	450	600
W/m at 75/65/20	681	870	1273	1601
n-coefficients	1.27	1.28	1.31	1.31
Heated surface area (m ² /m)	3.37	4.66	5.62	7.74
Weight (kg/m)	32.76	37.99	43.86	51.19
Water contents (l/m)	2.53	3.23	4.65	6.20
K _M	4.67	5.89	7.69	9.37

PRESSURE DROP



- ① Type 10 (P1), 11 (K1)
- ② Type 21 (P+), 22 (K2)