



The straight version of the Stelrad Classic Towel Rail provides effective heating and practical drying performance for any kitchen or bathroom.

# CLASSIC TOWEL RAIL

Boutique Series

**50  $\Delta t$**

(75/65/20°C)

**STRAIGHT WHITE**

**STRAIGHT CHROME**

| Height mm   | Length mm | Max Projection mm | Stelrad UIN | Heat output Watts | Btu/hr | Price excl VAT | Price incl VAT | Stelrad UIN | Heat output Watts | Btu/hr | Price excl VAT | Price incl VAT |
|-------------|-----------|-------------------|-------------|-------------------|--------|----------------|----------------|-------------|-------------------|--------|----------------|----------------|
| <b>760</b>  | 500       | 100               | 148070      | 376               | 1282   | £116.92        | £140.30        | 147002      | 246               | 839    | £232.41        | £278.89        |
|             | 600       | 100               | 148071      | 445               | 1517   | £118.41        | £142.09        | 147003      | 294               | 1003   | £242.62        | £291.14        |
| <b>1211</b> | 500       | 100               | 148072      | 576               | 1964   | £156.46        | £187.75        | 147004      | 379               | 1292   | £310.75        | £372.90        |
|             | 600       | 100               | 148073      | 686               | 2339   | £160.94        | £193.13        | 147005      | 453               | 1545   | £330.39        | £396.47        |
| <b>1744</b> | 500       | 100               | 148074      | 844               | 2878   | £242.04        | £290.45        | 142768      | 557               | 1899   | £390.94        | £469.13        |
|             | 600       | 100               | 148075      | 1000              | 3410   | £260.71        | £312.85        | 142769      | 667               | 2274   | £418.53        | £502.24        |

**CURVED WHITE**

**CURVED CHROME**

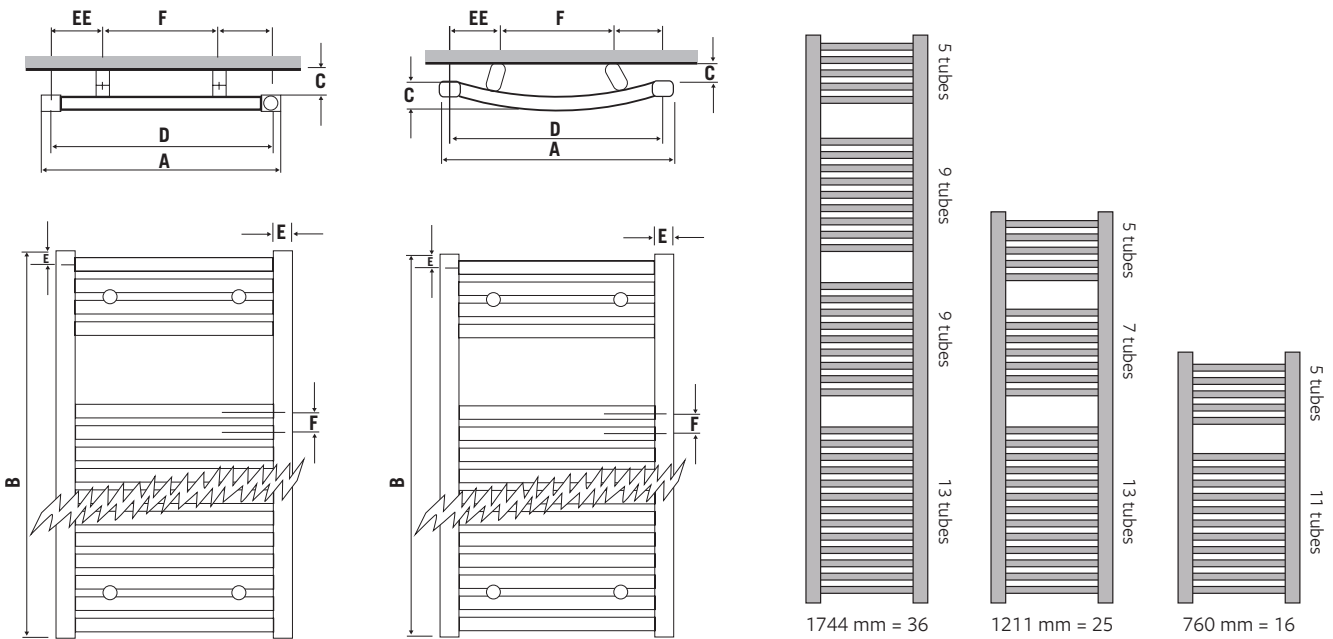
| Height mm   | Length mm | Max Projection mm | Stelrad UIN | Heat output Watts | Btu/hr | Price excl VAT | Price incl VAT | Stelrad UIN | Heat output Watts | Btu/hr | Price excl VAT | Price incl VAT |
|-------------|-----------|-------------------|-------------|-------------------|--------|----------------|----------------|-------------|-------------------|--------|----------------|----------------|
| <b>760</b>  | 500       | 100               | 147006      | 376               | 1282   | £148.97        | £178.76        | 147012      | 246               | 839    | £289.98        | £347.98        |
|             | 600       | 100               | 147007      | 445               | 1517   | £158.39        | £190.07        | 147013      | 294               | 1003   | £317.75        | £381.30        |
| <b>1211</b> | 500       | 100               | 147008      | 576               | 1964   | £198.31        | £237.97        | 147014      | 379               | 1292   | £365.13        | £438.16        |
|             | 600       | 100               | 147009      | 686               | 2339   | £243.64        | £292.37        | 147015      | 453               | 1545   | £374.12        | £448.94        |
| <b>1744</b> | 500       | 100               | 147010      | 844               | 2878   | £246.70        | £296.04        | 147016      | 557               | 1899   | £445.73        | £534.88        |
|             | 600       | 100               | 147011      | 1000              | 3410   | £276.81        | £332.17        | 147017      | 667               | 2274   | £517.11        | £620.53        |

$\Delta t$ 50 is the UK's industry standard for heating outputs, which has an operating temperature of 75/65/20°C. If you have a low temperature heat source you may wish to consider  $\Delta t$ 40 or  $\Delta t$ 30 output (see your installer or system designer or download from [www.stelrad.com](http://www.stelrad.com)).

**STRAIGHT MODELS**

**CURVED MODELS**

**NUMBER OF TUBES ON TOWEL RAILS**

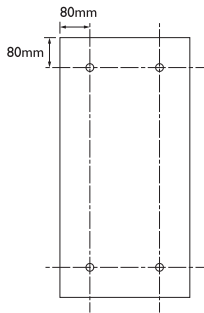


# CLASSIC TOWEL RAIL

Boutique Series

|              |               | STRAIGHT MODELS |                    |         |                         |        | CURVED MODELS |                    |                         |        |        |
|--------------|---------------|-----------------|--------------------|---------|-------------------------|--------|---------------|--------------------|-------------------------|--------|--------|
|              |               |                 |                    |         | WALL MOUNTING POSITIONS |        |               |                    | WALL MOUNTING POSITIONS |        |        |
| A Width (mm) | B Height (mm) | C Depth (mm)    | D Tap Centres (mm) | EE (mm) | F (mm)                  | C (mm) | C Depth (mm)  | D Tap Centres (mm) | EE (mm)                 | F (mm) | C (mm) |
| 400          | 678           | 30              | 356                | 70      | 216                     | 65-75  | -             | -                  | -                       | -      | -      |
| 500          | 760           | 30              | 456                | 70      | 316                     | 65-75  | 56.0          | 456                | 110                     | 236    | 40-45  |
| 600          | 760           | 30              | 556                | 70      | 416                     | 65-75  | 60.0          | 556                | 110                     | 336    | 40-45  |
| 500          | 1211          | 30              | 456                | 70      | 316                     | 65-75  | 56.0          | 456                | 110                     | 236    | 40-45  |
| 600          | 1211          | 30              | 556                | 70      | 416                     | 65-75  | 60.0          | 556                | 110                     | 336    | 40-45  |
| 500          | 1744          | 30              | 456                | 70      | 316                     | 65-75  | 56.0          | 456                | 110                     | 236    | 40-45  |
| 600          | 1744          | 30              | 556                | 70      | 416                     | 65-75  | 60.0          | 556                | 110                     | 336    | 40-45  |

## BRACKET POSITIONS



## CONNECTIONS

Each radiator comes with 1/2" inlet connections as standard.

## EN 442 CERTIFICATION DATA - CETIAT TESTED IN ACCORDANCE WITH BS EN 442

| Type                                  | STRAIGHT/CURVED WHITE |        |       |        |        |        |
|---------------------------------------|-----------------------|--------|-------|--------|--------|--------|
| No of tubes                           | 16                    | 16     | 25    | 25     | 36     | 36     |
| Height                                | 760                   | 760    | 1211  | 1211   | 1744   | 1744   |
| Length                                | 500                   | 600    | 500   | 600    | 500    | 600    |
| Watts at 75/65/20                     | 376                   | 445    | 576   | 686    | 844    | 1000   |
| n-coefficients                        | 1.23                  | 1.23   | 1.25  | 1.25   | 1.28   | 1.26   |
| Heated surface area (m <sup>2</sup> ) | 0.71                  | 0.83   | 1.11  | 1.30   | 1.60   | 1.88   |
| Weight (kg)                           | 6.12                  | 7.06   | 9.63  | 11.10  | 13.86  | 15.98  |
| Water contents (l/m)                  | 4.41                  | 5.10   | 6.89  | 7.97   | 9.80   | 11.40  |
| KM (P/dTn)                            | 3.0343                | 3.5743 | 4.285 | 5.2327 | 5.6826 | 7.1623 |

| Type                                  | STRAIGHT/CURVED CHROME |        |        |        |        |        |
|---------------------------------------|------------------------|--------|--------|--------|--------|--------|
| No of tubes                           | 16                     | 16     | 25     | 25     | 36     | 36     |
| Height                                | 760                    | 760    | 1211   | 1211   | 1744   | 1744   |
| Length                                | 500                    | 600    | 500    | 600    | 500    | 600    |
| Watts at 75/65/20                     | 246                    | 294    | 379    | 453    | 557    | 667    |
| n-coefficients                        | 1.25                   | 1.25   | 1.28   | 1.27   | 1.30   | 1.30   |
| Heated surface area (m <sup>2</sup> ) | 0.71                   | 0.83   | 1.11   | 1.30   | 1.60   | 1.88   |
| Weight (kg)                           | 6.12                   | 7.06   | 9.63   | 11.10  | 13.86  | 15.98  |
| Water contents (l/m)                  | 4.41                   | 5.10   | 6.89   | 7.97   | 9.80   | 11.40  |
| KM (P/dTn)                            | 1.8179                 | 2.1949 | 2.5779 | 3.1188 | 3.4249 | 4.1610 |

### 50 Δt

(75/65/20°C)

#### WHITE

#### CHROME

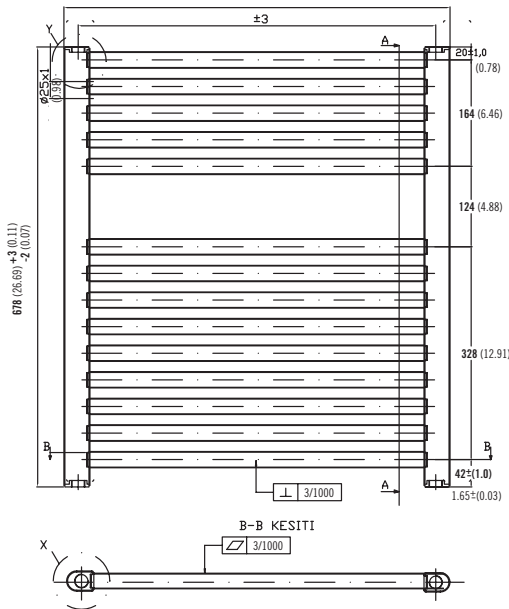
| Height mm  | Length mm | Max Projection mm | Stelrad UIN | Heat output Watts | Heat output Btu/hr | Price excl VAT | Price incl VAT | Stelrad UIN | Heat output Watts | Heat output Btu/hr | Price excl VAT | Price incl VAT |
|------------|-----------|-------------------|-------------|-------------------|--------------------|----------------|----------------|-------------|-------------------|--------------------|----------------|----------------|
| <b>678</b> | 400       | 100               | 147000      | 273               | 931                | £83.66         | £100.39        | 147001      | 175               | 597                | £164.04        | £196.85        |

Δt50 is the UK's industry standard for heating outputs, which has an operating temperature of 75/65/20°C. If you have a low temperature heat source you may wish to consider Δt40 or Δt30 output (see your installer or system designer or download from [www.stelrad.com](http://www.stelrad.com)).

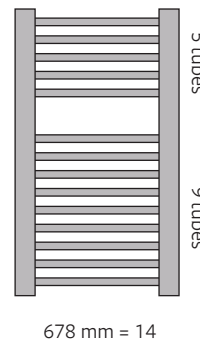
For EN442 data, technical and installation information please visit our website: [www.stelrad.com](http://www.stelrad.com) and search product downloads.

#### WALL MOUNTING INFORMATION

All dimensions in mm. Inches in brackets.



#### NUMBER OF TUBES ON TOWEL RAILS



#### EN 442 CERTIFICATION DATA - CETIAT TESTED IN ACCORDANCE WITH BS EN 442

| Type                                    | WHITE  | CHROME |
|---|--------|--------|
| No of tubes                             | 14     | 14     |
| Height                                  | 14     | 14     |
| Length                                  | 678    | 678    |
| Watts at 75/65/20                       | 400    | 175    |
| n-coefficients                          | 1.2232 | 1.2535 |
| Heated surface area (m <sup>2</sup> /m) | 0.51   | 0.51   |
| Weight (kg/m)                           | 4.57   | 4.57   |
| Water contents (l/m)                    | 3.20   | 3.20   |
| KM (P/dTn)                              | 2.2803 | 1.2983 |

#### CONNECTIONS

Each radiator comes with 1/2" inlet connections as standard.