



The vertical lines on the Stelrad Silhouette add a strong bold appeal to an already attractive designer radiator.

50 Δt

(75/65/20°C)

K1



K2



Height mm	Length mm	Stelrad UIN	Heat output		Price excl VAT	Price incl VAT	Stelrad UIN	Heat output		Price excl VAT	Price incl VAT
			Watts	Btu/h				Watts	Btu/h		
300	500	92301105	235	802	£26.42	£31.70	92302205	449	1532	£43.68	£52.42
	1000	92301110	470	1604	£43.10	£51.72	92302210	898	3064	£68.49	£82.19
	1500	92301115	705	2405	£61.30	£73.56	92302215	1347	4596	£105.23	£126.28
450	400	92451104	272	928	£27.56	£33.07	92452204	509	1737	£42.84	£51.41
	600	92451106	409	1396	£33.28	£39.94	92452206	764	2607	£55.08	£66.10
	800	92451108	545	1860	£41.93	£50.32	92452208	1018	3473	£63.64	£76.37
	1000	92451110	681	2324	£52.42	£62.90	92452210	1273	4343	£73.41	£88.09
	1200	92451112	817	2788	£62.89	£75.47	92452212	1528	5214	£88.12	£105.74
	1400	92451114	953	3252	£73.39	£88.07	92452214	1782	6080	£113.52	£136.22
	1600	92451116	1090	3719	£83.88	£100.66	92452216	2037	6950	£129.73	£155.68
	1800	92451118	1226	4183	£102.44	£122.93	92452218	2291	7817	£145.95	£175.14
600	400	92601104	348	1187	£31.20	£37.44	92602204	640	2184	£46.74	£56.09
	600	92601106	522	1781	£36.95	£44.34	92602206	961	3279	£60.08	£72.10
	800	92601108	696	2375	£45.75	£54.90	92602208	1281	4371	£69.43	£83.32
	1000	92601110	870	2968	£57.19	£68.63	92602210	1601	5463	£80.11	£96.13
	1200	92601112	1044	3562	£68.62	£82.34	92602212	1921	6554	£96.13	£115.36
	1400	92601114	1218	4156	£80.05	£96.06	92602214	2241	7646	£123.83	£148.60
	1600	92601116	1392	4750	£91.49	£109.79	92602216	2562	8742	£141.53	£169.84
	1800	92601118	1566	5343	£111.75	£134.10	92602218	2882	9833	£159.20	£191.04
	2000	92601120	1740	5937	£114.63	£137.56	92602220	3202	10925	£243.67	£292.40

$\Delta t50$ is the UK's industry standard for heating outputs, which has an operating temperature of 75/65/20°C. If you have a low temperature heat source you may wish to consider $\Delta t40$ or $\Delta t30$ output (see your installer or system designer or download from www.stelrad.com).

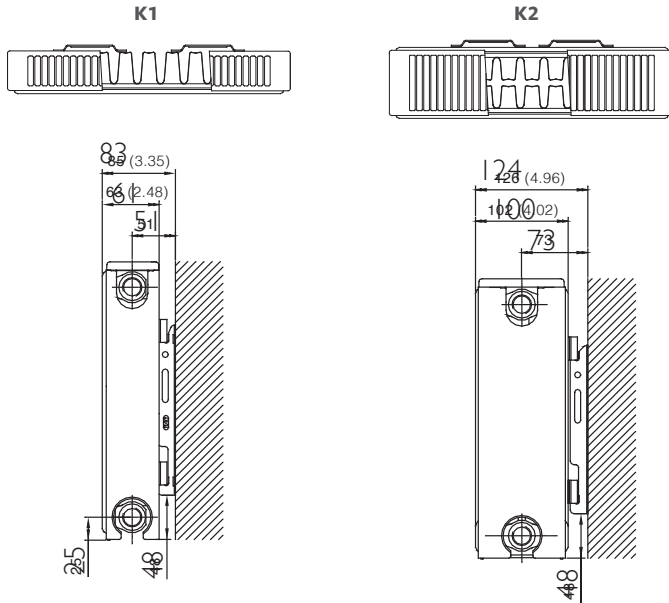
For EN442 data, technical and installation information please visit our website: www.stelrad.com and search product downloads.

SILHOUETTE

Boutique Series

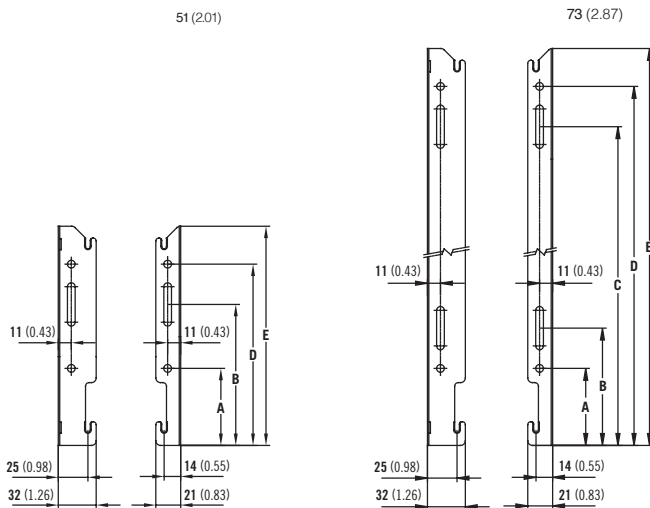
WALL MOUNTING AND LUG INFORMATION

All dimensions in mm. Inches in brackets.



MOUNTING BRACKETS

All dimensions in mm. Inches in brackets. Floor mounting brackets available.



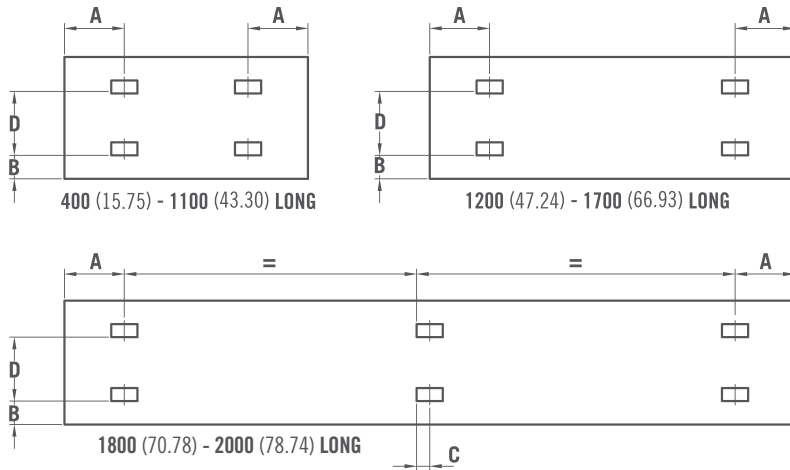
Dimensions	mm	inches	mm	inches	mm	inches
Height	300	11.81	450	17.72	600	23.62
A	65	2.56	65	2.56	65	2.56
B	119	4.69	99	3.90	99	3.90
C	-	-	269	10.59	419	16.50
D	153	6.02	303	11.93	453	17.83
E	185	7.28	335	13.19	485	19.09

SILHOUETTE

Boutique Series

K1 & K2 LUG POSITIONS

All dimensions in mm. Inches in brackets.



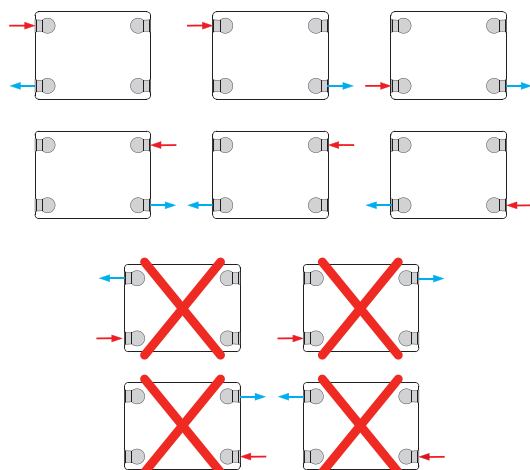
PANEL HEIGHT				K1		K2		
mm	in	mm	in	mm	in	mm	in	
300	11.81	155	6.10	A 400mm	117	4.61	133	5.24
450	17.72	305	12.01	A 500 - 2000mm	150	5.91	133	5.24
600	23.62	455	17.91	B 400 - 2000mm	60	2.36	60	2.36
700	27.56	555	21.95	C 1800 - 2000mm	17	0.67	L/2	L/2

L/2 is the length divided by two.

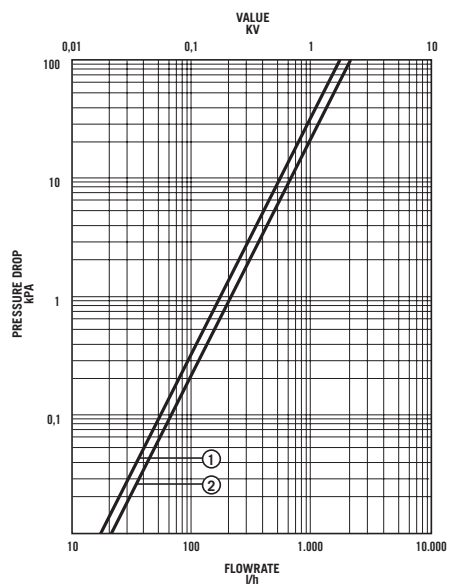
CONNECTIONS

Each radiator comes with 1/2" inlet connections as standard.

PIPING OPTIONS



PRESSURE DROP



- ① Type 11 (K1)
- ② Type 22 (K2)