

The Stelrad Caliente Vertical range boasts a cleverly designed and stylish tube on tube feature, which will enhance any contemporary home setting.



# CALIENTE VERTICAL

Boutique Series

## 50 $\Delta t$

(75/65/20°C)

### SINGLE TUBE

### DOUBLE TUBE

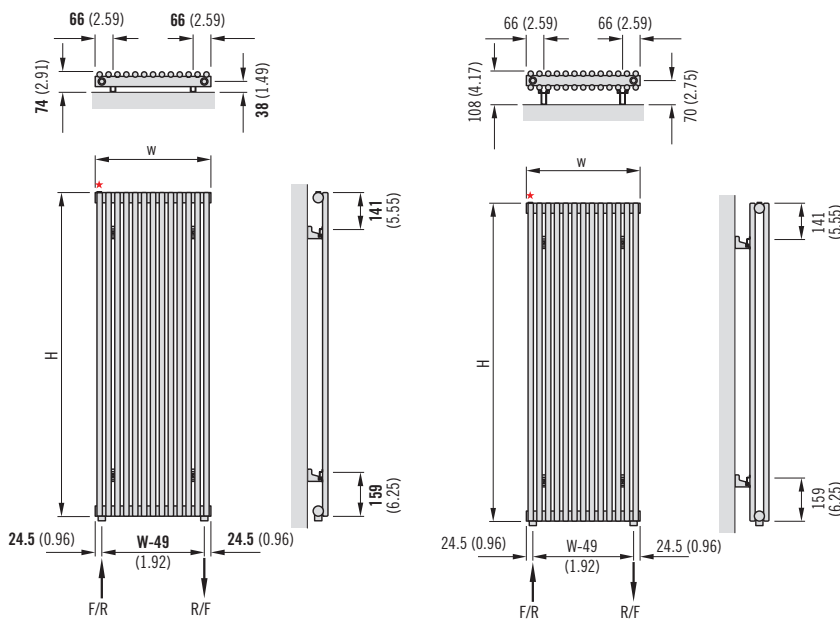
Height mm	Length mm	Elements	Stelrad UIN	Heat output Watts	Heat output Btu/hr	Price excl VAT	Price incl VAT	Stelrad UIN	Heat output Watts	Heat output Btu/hr	Price excl VAT	Price incl VAT
1200	330	10	401211330	485	1655	£218.74	£262.49	-	-	-	-	-
	495	15	401211495	727	2481	£280.92	£337.10	-	-	-	-	-
1800	330	10	401811330	702	2395	£272.34	£326.81	-	-	-	-	-
	429	13	401811429	912	3112	£418.17	£501.80	-	-	-	-	-
	495	15	-	-	-	-	-	401822495	1590	5425	£688.37	£826.04
	528	16	401811528	1123	3832	£435.33	£522.40	-	-	-	-	-
	660	20	401811660	1404	4790	£452.49	£542.99	401822660	2120	7233	£829.91	£995.89
	726	22	401811726	1544	5268	£486.78	£584.14	-	-	-	-	-

$\Delta t50$  is the UK's industry standard for heating outputs, which has an operating temperature of 75/65/20°C. If you have a low temperature heat source you may wish to consider  $\Delta t40$  or  $\Delta t30$  output (see your installer or system designer or download from [www.stelrad.com](http://www.stelrad.com)).

For EN442 data, technical and installation information please visit our website: [www.stelrad.com](http://www.stelrad.com) and search product downloads.

### WALL MOUNTING INFORMATION

All dimensions in mm. Inches in brackets.



### PRODUCT SPECIFICATION

Tube diameter =  $\varnothing 20$ mm and  $\varnothing 38$ mm  
 Steel thickness = 1.25mm for  $\varnothing 20$  ; 1.4mm for  $\varnothing 38$   
 Working pressure = 6 bar  
 Operating temp = 110° max

★ Air vents

### CONNECTIONS

Each radiator comes with 1/2" inlet connections as standard.

### EN 442 CERTIFICATION DATA - CETIAT TESTED IN ACCORDANCE WITH BS EN 442

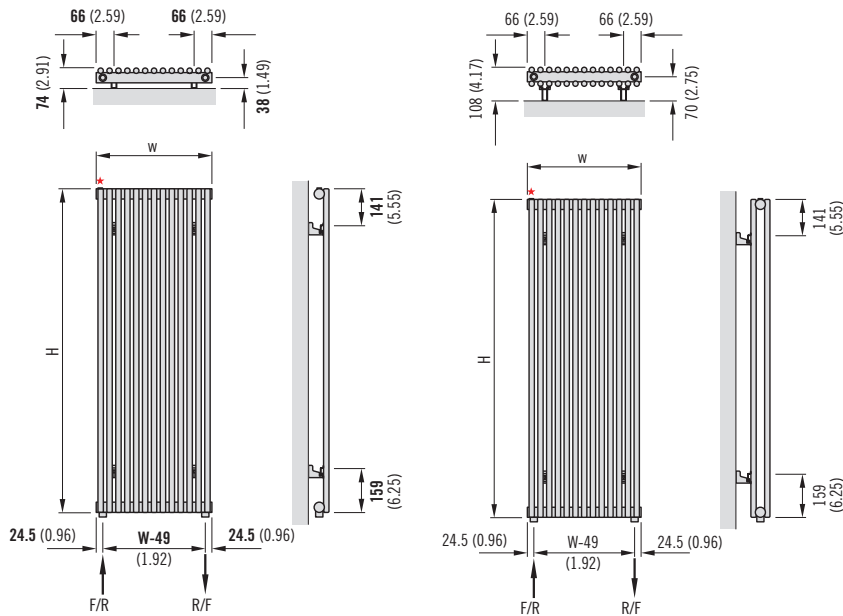
Type	Single	Double
Height	1200 1800	1800
W/m at 75/65/20	1470 2126	3212
n-coefficients	1.27 1.28	10.28
Heated surface area (m <sup>2</sup> /m)	2.28 3.43	6.85
Weight (kg/m)	23.33 33.64	64.85
Water contents (l/m)	10.61 15.15	28.18
Wall to tap centre (mm)	38 38	70

# CALIENTE VERTICAL

Boutique Series

## WALL MOUNTING INFORMATION

All dimensions in mm. Inches in brackets.



## PRODUCT SPECIFICATION

Tube diameter = Ø20mm and Ø38mm  
 Steel thickness = 1.25mm for Ø20 ; 1.4mm for Ø38  
 Working pressure = 6 bar  
 Operating temp = 110° max

★ Air vents

## CONNECTIONS

Each radiator comes with 1/2" inlet connections as standard.

## EN 442 CERTIFICATION DATA - CETIAT TESTED IN ACCORDANCE WITH BS EN 442

Type	Single		Double
Height	1200	1800	1800
W/m at 75/65/20	1470	2126	3212
n-coefficients	1.27	1.28	10.28
Heated surface area (m <sup>2</sup> /m)	2.28	3.43	6.85
Weight (kg/m)	23.33	33.64	64.85
Water contents (l/m)	10.61	15.15	28.18
Wall to tap centre (mm)	38	38	70