

The straight version of the Stelrad Classic Towel Rail provides effective heating and practical drying performance for any kitchen or bathroom.



CLASSIC TOWEL RAIL

Boutique Series

50 Δt

(75/65/20°C)

STRAIGHT WHITE

STRAIGHT CHROME

Height mm	Length mm	Max Projection mm	Stelrad UIN	Watts	Heat output Btu/hr	Stelrad UIN	Watts	Heat output Btu/hr
760	500	100	148070	376	1282	147002	246	839
	600	100	148071	445	1517	147003	294	1003
1211	500	100	148072	576	1964	147004	379	1292
	600	100	148073	686	2339	147005	453	1545
1744	500	100	148074	844	2878	142768	557	1899
	600	100	148075	1000	3410	142769	667	2274

CURVED WHITE

CURVED CHROME

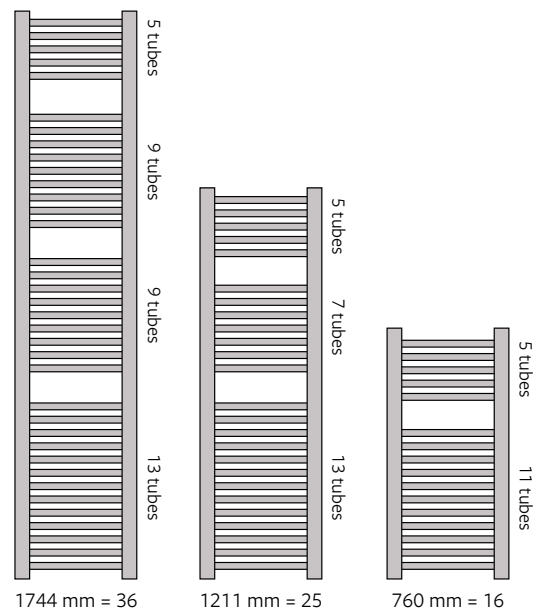
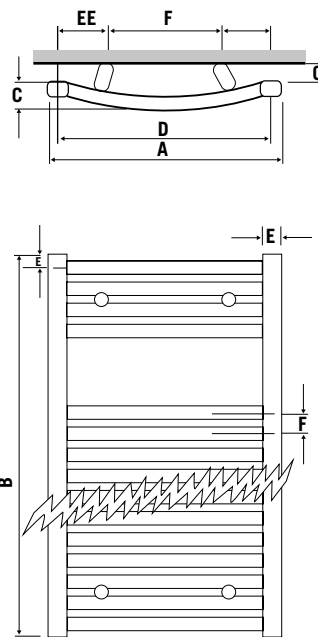
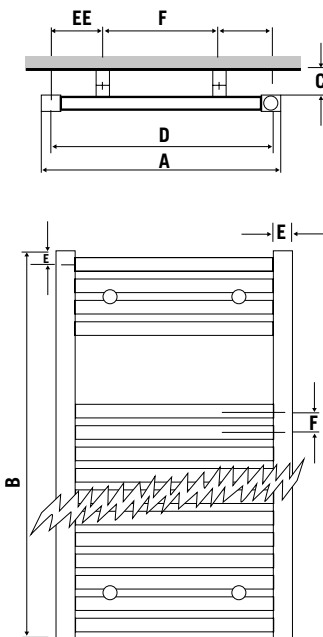
Height mm	Length mm	Max Projection mm	Stelrad UIN	Watts	Heat output Btu/hr	Stelrad UIN	Watts	Heat output Btu/hr
760	500	100	147006	376	1282	147012	246	839
	600	100	147007	445	1517	147013	294	1003
1211	500	100	147008	576	1964	147014	379	1292
	600	100	147009	686	2339	147015	453	1545
1744	500	100	147010	844	2878	147016	557	1899
	600	100	147011	1000	3410	147017	667	2274

$\Delta t50$ is the UK's industry standard for heating outputs, which has an operating temperature of 75/65/20°C. If you have a low temperature heat source you may wish to consider $\Delta t40$ or $\Delta t30$ output (see your installer or system designer or download from www.stelrad.com).

STRAIGHT MODELS

CURVED MODELS

NUMBER OF TUBES ON TOWEL RAILS

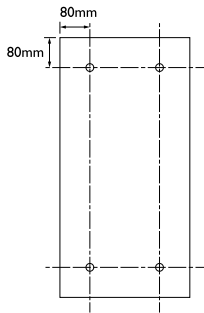


CLASSIC TOWEL RAIL

Boutique Series

		STRAIGHT MODELS					CURVED MODELS				
					WALL MOUNTING POSITIONS				WALL MOUNTING POSITIONS		
A Width (mm)	B Height (mm)	C Depth (mm)	D Tap Centres (mm)	EE (mm)	F (mm)	C (mm)	C Depth (mm)	D Tap Centres (mm)	EE (mm)	F (mm)	C (mm)
400	678	30	356	70	216	65-75	-	-	-	-	-
500	760	30	456	70	316	65-75	56.0	456	110	236	40-45
600	760	30	556	70	416	65-75	60.0	556	110	336	40-45
500	1211	30	456	70	316	65-75	56.0	456	110	236	40-45
600	1211	30	556	70	416	65-75	60.0	556	110	336	40-45
500	1744	30	456	70	316	65-75	56.0	456	110	236	40-45
600	1744	30	556	70	416	65-75	60.0	556	110	336	40-45

BRACKET POSITIONS



CONNECTIONS

Each radiator comes with 1/2" inlet connections as standard.

EN 442 CERTIFICATION DATA - CETIAT TESTED IN ACCORDANCE WITH BS EN 442

Type	STRAIGHT/CURVED WHITE					
No of tubes	16	16	25	25	36	36
Height	760	760	1211	1211	1744	1744
Length	500	600	500	600	500	600
Watts at 75/65/20	376	445	576	686	844	1000
n-coefficients	1.23	1.23	1.25	1.25	1.28	1.26
Heated surface area (m ²)	0.71	0.83	1.11	1.30	1.60	1.88
Weight (kg)	6.12	7.06	9.63	11.10	13.86	15.98
Water contents (l/m)	4.41	5.10	6.89	7.97	9.80	11.40
KM (P/dTn)	3.0343	3.5743	4.285	5.2327	5.6826	7.1623

Type	STRAIGHT/CURVED CHROME					
No of tubes	16	16	25	25	36	36
Height	760	760	1211	1211	1744	1744
Length	500	600	500	600	500	600
Watts at 75/65/20	246	294	379	453	557	667
n-coefficients	1.25	1.25	1.28	1.27	1.30	1.30
Heated surface area (m ²)	0.71	0.83	1.11	1.30	1.60	1.88
Weight (kg)	6.12	7.06	9.63	11.10	13.86	15.98
Water contents (l/m)	4.41	5.10	6.89	7.97	9.80	11.40
KM (P/dTn)	1.8179	2.1949	2.5779	3.1188	3.4249	4.1610

CLASSIC MINI TOWEL RAIL

50 Δt

(75/65/20°C)

WHITE

CHROME

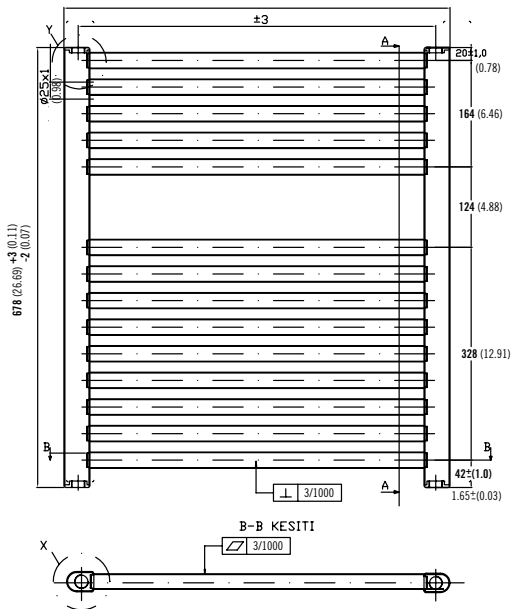
Height mm	Length mm	Max Projection mm	Stelrad UIN	Heat output Watts	Heat output Btu/hr	Price excl VAT	Price incl VAT	Stelrad UIN	Heat output Watts	Heat output Btu/hr	Price excl VAT	Price incl VAT
678	400	100	147000	273	931	£83.66	£100.39	147001	175	597	£164.04	£196.85

Δt 50 is the UK's industry standard for heating outputs, which has an operating temperature of 75/65/20°C. If you have a low temperature heat source you may wish to consider Δt 40 or Δt 30 output (see your installer or system designer or download from www.stelrad.com).

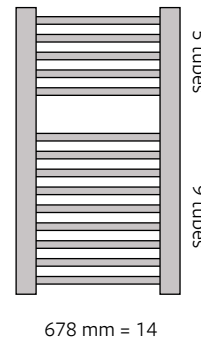
For EN442 data, technical and installation information please visit our website: www.stelrad.com and search product downloads.

WALL MOUNTING INFORMATION

All dimensions in mm. Inches in brackets.



NUMBER OF TUBES ON TOWEL RAILS



EN 442 CERTIFICATION DATA - CETIAT TESTED IN ACCORDANCE WITH BS EN 442

Type	WHITE	CHROME
No of tubes	14	14
Height	678	678
Length	400	400
Watts at 75/65/20	273	175
n-coefficients	1.2232	1.2535
Heated surface area (m ² /m)	0.51	0.51
Weight (kg/m)	4.57	4.57
Water contents (l/m)	3.20	3.20
KM (P/dTn)	2.2803	1.2983

CONNECTIONS

Each radiator comes with 1/2" inlet connections as standard.