

The Stelrad Concord Chrome Vertical is a stunning minimalist vertical flat panel designer radiator in a modern eye-catching mirror chrome finish.



CONCORD CHROME VERTICAL

Boutique Series

50 Δt

(75/65/20°C)

SINGLE

Height mm	Length mm	Stelrad UIN	Watts	Heat output Btu/hr
1800	310	751101	395	1348
	390	751102	495	1688
	470	751103	528	1801
	604	751104	654	2232

Δt 50 is the UK's industry standard for heating outputs, which has an operating temperature of 75/65/20°C. If you have a low temperature heat source you may wish to consider Δt 40 or Δt 30 output (see your installer or system designer or download from www.stelrad.com).

For EN442 data, technical and installation information please visit our website: www.stelrad.com and search product downloads.

CONCORD CHROME VERTICAL

Boutique Series

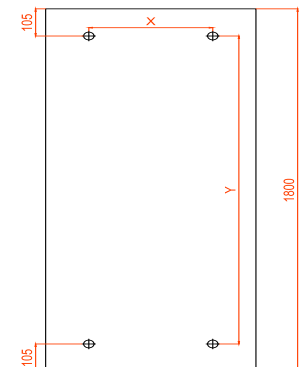
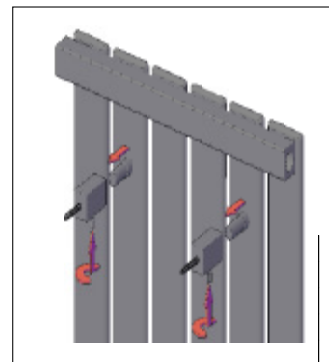
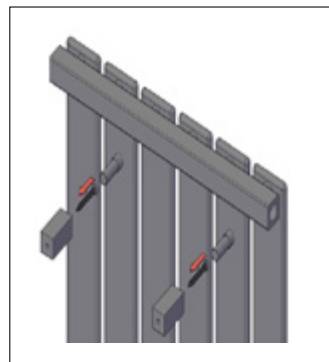
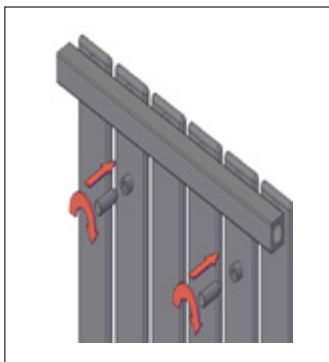
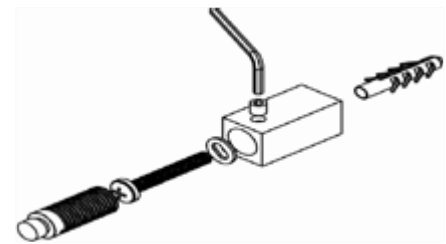
WALL MOUNTING INFORMATION

All dimensions in mm.

EN 442 CERTIFICATION DATA - CETIAT TESTED IN ACCORDANCE WITH BS EN 442

Type	Vertical	
Height	1800	2000
W/m at 75/65/20	1846	2041
n-coefficients	1.31	1.31
Heated surface area (m ² /m)	4.01	4.42
Weight (kg/m)	44.2	49.4
Water contents (l/m)	14.3	16.9
Wall to tap centre (mm)	43	43

WIDTH (mm)	X (mm)	Y (mm)
310	80	1590
390	160	1590
470	240	1590
604	356	1590



PIPING INSTRUCTIONS

