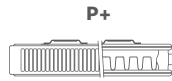




50 Δt

(75/65/20°C)



Front Panel Height mm	Emitter Height mm	Front Panel Length mm	Emitter Length mm	P+			K2		
				Stelrad UIN	Watts	Btu/h	Stelrad UIN	Watts	Btu/h
545	500	470	400	-	-	-	83512204	522	1781
		670	600	-	-	-	83512206	782	2668
		870	800	-	-	-	83512208	1043	3559
		1070	1000	-	-	-	83512210	1304	4449
		1270	1200	-	-	-	83512212	1565	5340
		1470	1400	-	-	-	83512214	1826	6231
		1670	1600	-	-	-	83512216	2086	7118
		1870	1800	-	-	-	83512218	2347	8008
		2070	2000	-	-	-	83512220	2608	8899
645	600	470	400	83612104	474	1616	83612204	599	2044
		670	600	83612106	710	2424	83612206	899	3068
		870	800	83612108	947	3232	83612208	1198	4088
		1070	1000	83612110	1184	4040	83612210	1498	5111
		1270	1200	83612112	1421	4848	83612212	1798	6135
		1470	1400	83612114	1658	5656	83612214	2097	7155
		1670	1600	83612116	1894	6464	83612216	2397	8179
		1870	1800	83612118	2131	7272	83612218	2696	9199
		2070	2000	83612120	2368	8080	83612220	2996	10223

Δt 50 is the UK's industry standard for heating outputs, which has an operating temperature of 75/65/20°C. If you have a low temperature heat source you may wish to consider Δt 40 or Δt 30 output (see your installer or system designer or download from www.stelrad.com).

For EN442 data, technical and installation information please visit our website: www.stelrad.com and search product downloads.

VITA ULTRA TOWEL RAIL BAR



Fits emitter length	Stelrad UIN
400mm wide	83100004
600mm wide	83100006
800mm wide	83100008
1000mm wide	83100010

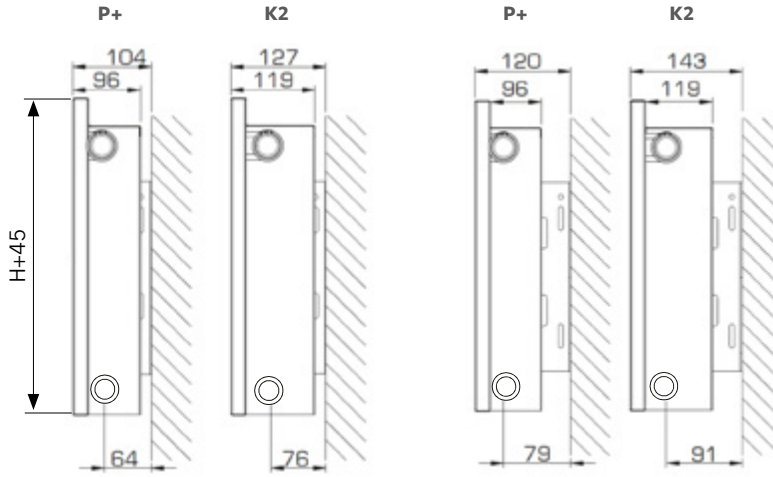
Towel rail bar is 120mm wider than actual radiator.
Maximum two towel rail bars per radiator.
For more information visit www.stelrad.com



Comes with a 2 year warranty.

WALL MOUNTING AND LUG INFORMATION

All dimensions in mm. Inches in brackets.

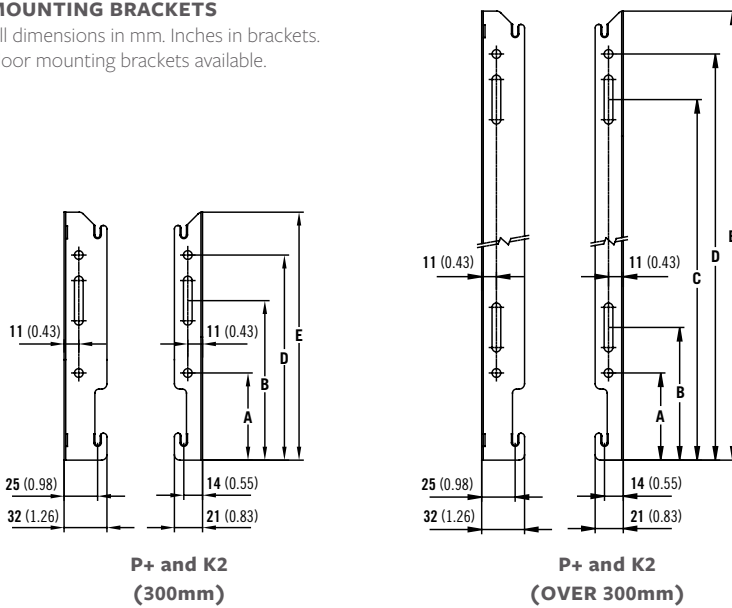


Mounting on short side of L-bracket

Mounting on long side of L-bracket

MOUNTING BRACKETS

All dimensions in mm. Inches in brackets.
Floor mounting brackets available.



**P+ and K2
(300mm)**

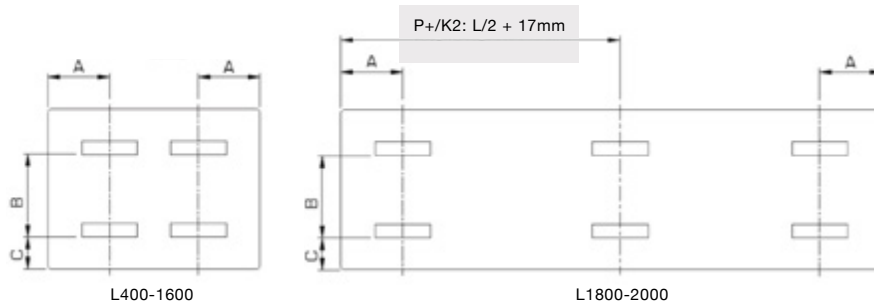
**P+ and K2
(OVER 300mm)**

P+ AND K2 (300mm)

Dimensions	mm	inches	mm	inches	mm	inches	mm	inches
Height	300	11.81	450	17.72	600	23.62	700	27.56
A	65	2.56	65	2.56	65	2.56	65	2.56
B	119	4.69	99	3.90	99	3.90	99	3.90
C	-	-	269	10.59	419	16.50	519	20.43
D	153	6.02	303	11.93	453	17.83	553	21.77
E	185	7.28	335	13.19	485	19.09	585	23.03

P+ AND K2 LUGS POSITIONS

All dimensions in mm. Inches in brackets.



Length	A	H	B	C
	P+/K2			
1200 - 1600	133	-	-	-
500 - 1100mm	133	500	305	60
1200 - 1600	133	600	455	60
1800 - 2000	133	-	-	-

Above positions are with respect to the edge of the emitter, not the front panel.

CONNECTIONS

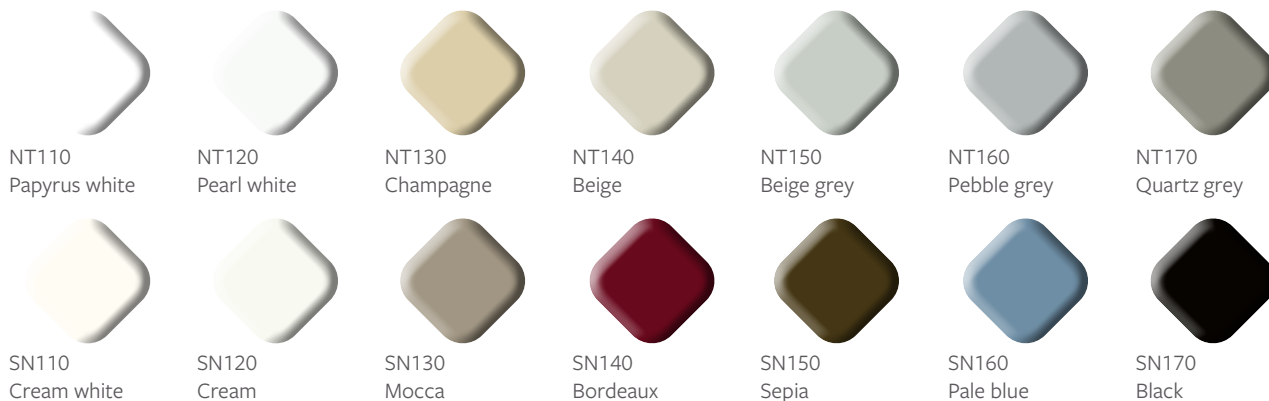
Each radiator comes with 1/2" inlet connections as standard.

EN 442 CERTIFICATION DATA - CETIAT TESTED IN ACCORDANCE WITH BS EN 442

Type	P+	K2	
Height	600	500	600
W/m at 75/65/20	1184	1304	1498
n-coefficients	1.31	1.29	1.30
Heated surface area (m ² /m)	5.24	6.33	7.74
Weight (kg/m)	34.80	32.73	38.80
Water contents (l/m)	6.80	5.83	6.90

COLOUR GUIDE

NATURAL COLOURS



METALLIC COLOURS



RAL COLOURS



RAL 9016**
Traffic white

FOR FURTHER INFORMATION ON RAL COLOURS PLEASE VISIT WWW.RALCOLOR.COM

*Please note: when choosing a colour only the front fascia panel can be coloured, the emitter, top grille and panels are black.



RAL 9016**
Traffic white
comes as
standard on
all radiators.

Stelrad Radiators are available in white (RAL 9016) as standard, however the specific Radiators identified are now available in a variety of colours. The colours shown are reproduced as accurately as this process will allow and can be made to order on the identified products.

All colour radiators have up to an 8 week lead time, and when a coloured radiator or radiators have been ordered they cannot be cancelled or returned.

To request a colour chart please email marketing@stelrad.com