



# CONCORD VERTICAL

Designer Series

## 50 $\Delta t$

(75/65/20°C)

Height mm	Length mm	Elements	SINGLE			DOUBLE		
			Stelrad UIN	Heat output Watts	Heat output Btu/hr	Stelrad UIN	Heat output Watts	Heat output Btu/hr
<b>1800</b>	444	6	148340	852	2907	148640	1254	4279
	592	8	148341	1136	3876	148641	1672	5705
	740	10	148342	1420	4845	148642	2090	7131
<b>2000</b>	444	6	148343	942	3214	148643	1386	4729
	592	8	148344	1256	4286	148644	1848	6306
	740	10	148345	1570	5357	148645	2310	7882

$\Delta t50$  is the UK's industry standard for heating outputs, which has an operating temperature of 75/65/20°C. If you have a low temperature heat source you may wish to consider  $\Delta t40$  or  $\Delta t30$  output (see your installer or system designer or download from [www.stelrad.com](http://www.stelrad.com)).

For EN442 data, technical and installation information please visit our website: [www.stelrad.com](http://www.stelrad.com) and search product downloads.

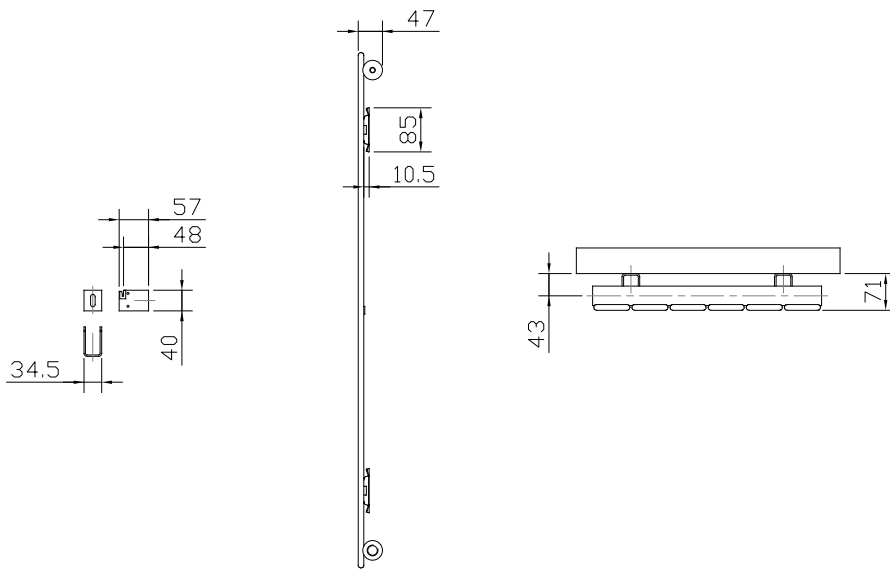
# CONCORD VERTICAL

Designer Series

## WALL MOUNTING INFORMATION

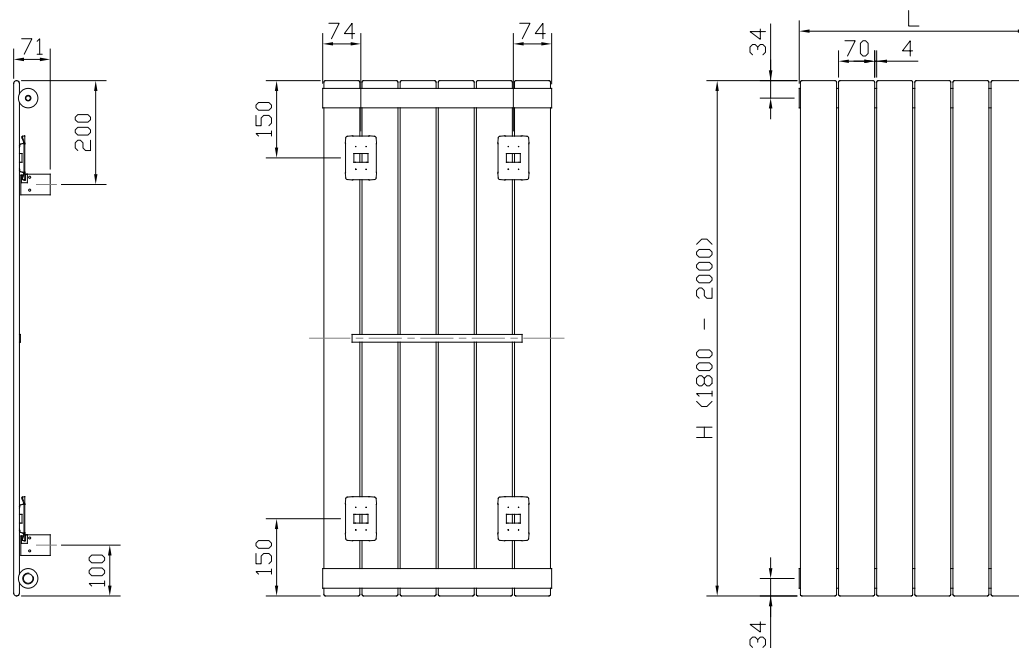
All dimensions in mm.

Type	From back of radiator to wall		From wall to centre of connections		From front of radiator to wall	
	mm	inches	mm	inches	mm	inches
Vertical	24	0.98	43	1.69	71	2.80



## FIXING POSITIONS

All dimensions in mm. Inches in brackets.



## CONNECTIONS

Each radiator comes with 1/2" inlet connections as standard.

# CONCORD VERTICAL

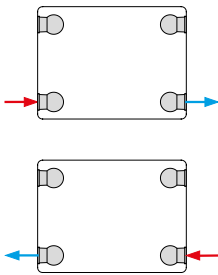
Designer Series

## EN 442 CERTIFICATION DATA - CETIAT TESTED IN ACCORDANCE WITH BS EN 442

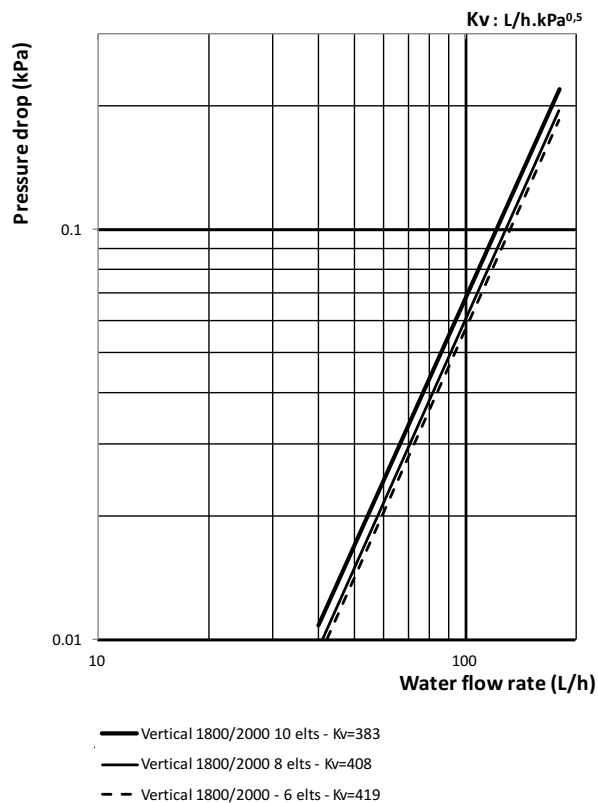
Type	Vertical	
	1800	2000
Height	1800	2000
W/m at 75/65/20	1846	2041
n-coefficients	1.31	1.31
Heated surface area (m <sup>2</sup> /m)	4.01	4.42
Weight (kg/m)	44.2	49.4
Water contents (l/m)	14.3	16.9
Wall to tap centre (mm)	43	43

## STEEL THICKNESS 1.25mm

## PIPING INSTRUCTIONS




## PRESSURE DROPS



# COLOUR GUIDE

## RAL COLOURS

						
RAL 7035 Pale grey	RAL 7038 Agate grey	RAL 7036 Platinum grey	RAL 7030 Stone grey	RAL 7037 Dusty grey	RAL 7015 Slate grey	RAL 9005* Jet black
						
RAL 8017 Chocolate brown	RAL 1016 Sulphur yellow	RAL 1021 Cadmium yellow	RAL 1004 Dark Golden yellow	RAL 2008 Light red orange	RAL 3000 Flame red	RAL 3003 Ruby red
						
RAL 3005 Wine red	RAL 6027 Light green	RAL 6034 Pastel turquoise	RAL 6019 Pastel green	RAL 6033 Turquoise blue	RAL 6020 Chrome green	RAL 6005 Light moss green
						
RAL 5014 Pigeon blue	RAL 5002 Ultramarine blue	RAL 5024 Pastel blue	RAL 5022 Night blue	RAL 5010 Gentian blue	RAL 9016** Traffic white	RAL 9010 Pure white
						
RAL 9001 Cream	RAL 1013 Pearl white	RAL 1015 Light ivory	RAL 9002 Grey white			

## Metallic Colours

		
BR002 Metallic silver	BR 0004 Gilded aluminium	BR 0007 Satin metal grey

FOR FURTHER INFORMATION ON RAL COLOURS PLEASE VISIT [WWW.RALCOLOR.COM](http://WWW.RALCOLOR.COM)



RAL 9016\*\*  
Traffic white  
comes as  
standard on  
all radiators.

Stelrad Radiators are available in white (RAL 9016) as standard, however the specific Radiators identified are now available in a variety of colours. The colours shown are reproduced as accurately as this process will allow and can be made to order on the identified products.

All colour radiators have up to an 8 week lead time, and when a coloured radiator or radiators have been ordered they cannot be cancelled or returned.

To request a colour chart please email  
[marketing@stelrad.com](mailto:marketing@stelrad.com)