



# VITA DECO CONCEPT

Vita Series

**50  $\Delta t$**

(75/65/20°C)



Height mm	Length mm	Stelrad UIN	Heat output		Stelrad UIN	Heat output	
			Watts	Btu/h		Watts	Btu/h
<b>600</b>	400	22601104	348	1187	22602204	640	2184
	600	22601106	522	1781	22602206	961	3279
	800	22601108	696	2375	22602208	1281	4371
	1000	22601110	870	2968	22602210	1601	5463
	1200	22601112	1044	3562	22602212	1921	6554
	1400	22601114	1218	4156	22602214	2241	7646

$\Delta t50$  is the UK's industry standard for heating outputs, which has an operating temperature of 75/65/20°C. If you have a low temperature heat source you may wish to consider  $\Delta t40$  or  $\Delta t30$  output (see your installer or system designer or download from [www.stelrad.com](http://www.stelrad.com)).

For EN442 data, technical and installation information please visit our website: [www.stelrad.com](http://www.stelrad.com) and search product downloads.

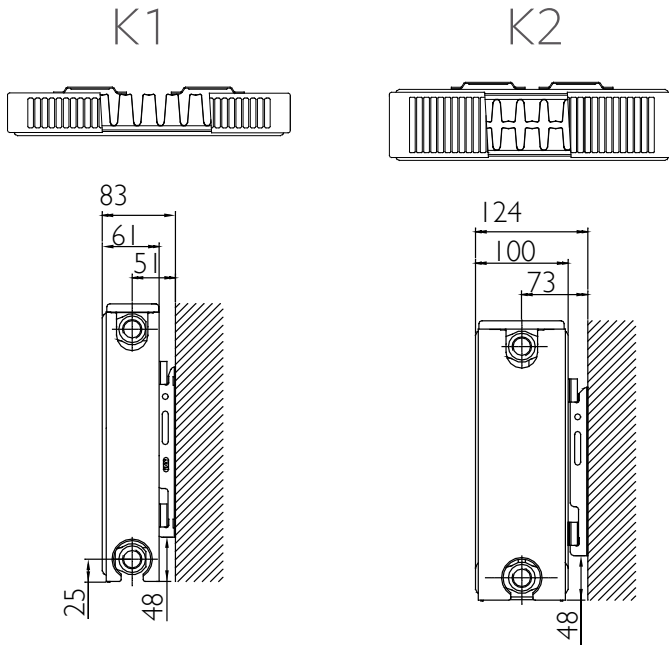
**VITA DECO CONCEPT COMES IN RAL: A7016 ANTHRACITE GREY AND IS AVAILABLE FROM STOCK.**

# VITA DECO CONCEPT

Vita Series

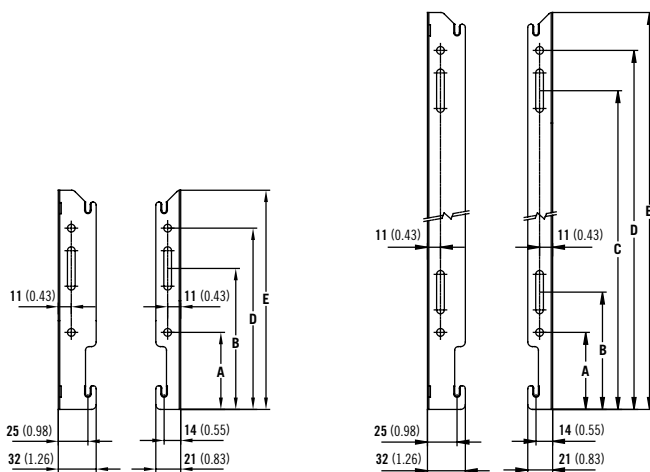
## WALL MOUNTING AND LUG INFORMATION

All dimensions in mm. Inches in brackets.



## MOUNTING BRACKETS

All dimensions in mm. Inches in brackets. Floor mounting brackets available.



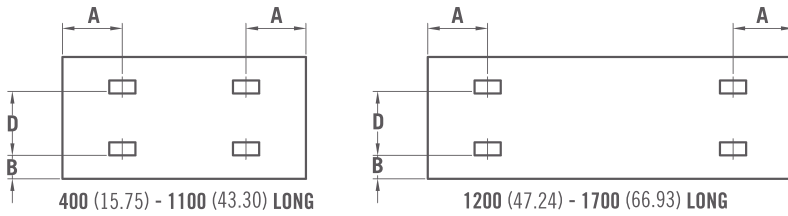
Dimensions	mm	inches
Height	600	23.62
A	65	2.56
B	99	3.90
C	419	16.50
D	453	17.83
E	485	19.09

# VITA DECO CONCEPT

Vita Series

## K1 & K2 LUG POSITIONS (New as of June 2016).

All dimensions in mm. Inches in brackets.



## CONNECTIONS

Each radiator comes with 1/2" inlet connections as standard.

### PANEL HEIGHT

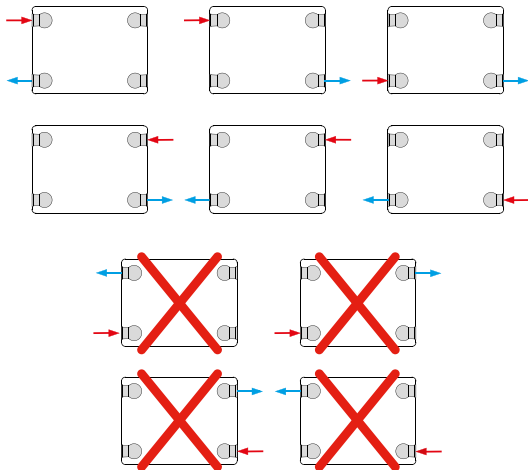
D		D	
mm	in	mm	in
600	23.62	455	17.91

### K1

### K2

Dimensions	mm	in	mm	in
A 400mm	117	4.61	133	5.24
A 500 - 2000mm	150	5.91	133	5.24
B 400 - 2000mm	60	2.36	60	2.36

## PIPING OPTIONS



### EN 442 CERTIFICATION DATA - CETIAT TESTED IN ACCORDANCE WITH BS EN 442

Type	K1	K2
Height	600	600
W/m at 75/65/20	911	1634
n-coefficients	1.28	1.32
Heated surface area (m <sup>2</sup> /m)	4.66	7.74
Weight (kg/m)	24.65	40.00
Water contents (l/m)	3.25	6.60
Wall to tap centre (mm)	51	73

### PRESSURE DROP

