

The Stelrad Compact Xtra Protection radiator is perfect for bathrooms, showers or wet rooms with its rust resistant coating.



# COMPACT XTRA PROTECTION

Boutique Series

**50  $\Delta t$**   
(75/65/20°C)

**K1**



Height mm	Length mm	Stelrad UIN	Heat output	
			Watts	Btu/hr
<b>450</b>	400	144850	302	1031
	600	144851	454	1550
	800	144852	605	2065
	1000	144853	756	2580
<b>600</b>	400	144854	392	1338
	600	144855	588	2007
	800	144856	784	2676
	1000	144857	980	3345

**K2**



Height mm	Length mm	Stelrad UIN	Heat output	
			Watts	Btu/hr
<b>450</b>	400	144858	548	1870
	600	144859	823	2809
	800	144860	1097	3744
	1000	144861	1371	4679
	1200	144867	1645	5614
	1400	144868	1919	6550
	1600	144869	2194	7488
	1800	144870	2468	8423
<b>600</b>	400	144862	693	2365
	600	144863	1039	3546
	800	144864	1386	4730
	1000	144865	1732	5911
	1200	144871	2078	7092
	1400	144872	2425	8277
	1600	144873	2771	9457
	1800	144874	3118	10642

$\Delta t50$  is the UK's industry standard for heating outputs, which has an operating temperature of 75/65/20°C. If you have a low temperature heat source you may wish to consider  $\Delta t40$  or  $\Delta t30$  output (see your installer or system designer or download from [www.stelrad.com](http://www.stelrad.com)).

For EN442 data, technical and installation information please visit our website: [www.stelrad.com](http://www.stelrad.com) and search product downloads.

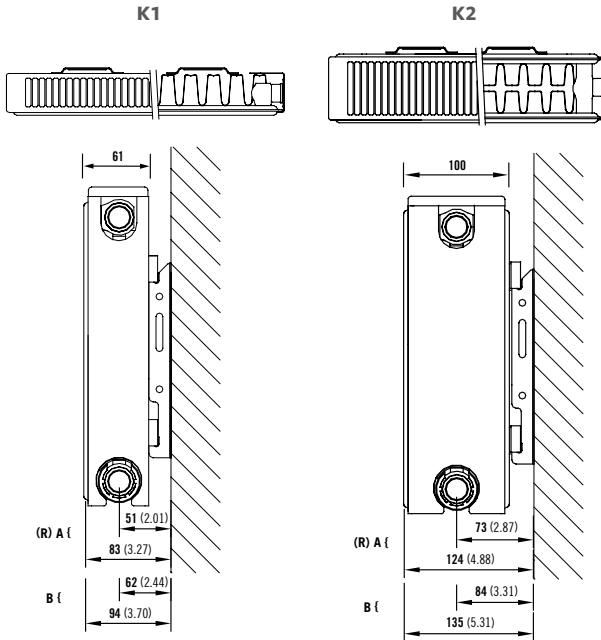
# COMPACT XTRA PROTECTION

Boutique Series

## WALL MOUNTING INFORMATION

All dimensions in mm. Inches in brackets.

Floor mounting brackets available.

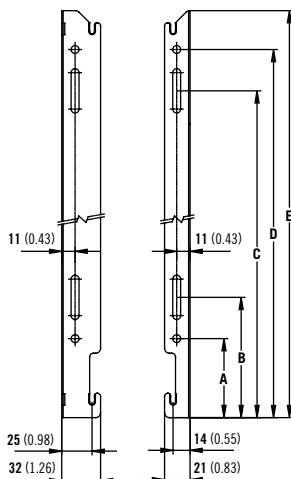


## BRACKET POSITION

A = Closest to wall B = Furthest from wall (R) = Recommended mounting position.

## COMPACT MOUNTING BRACKETS

All dimensions in mm. Inches in brackets. Floor mounting brackets available.



K1 and K2

Dimensions	mm	inches	mm	inches
Height	450	17.72	600	23.62
A	65	2.56	65	2.56
B	99	3.90	99	3.90
C	269	10.59	419	16.50
D	303	11.93	453	17.83
E	335	13.19	485	19.09

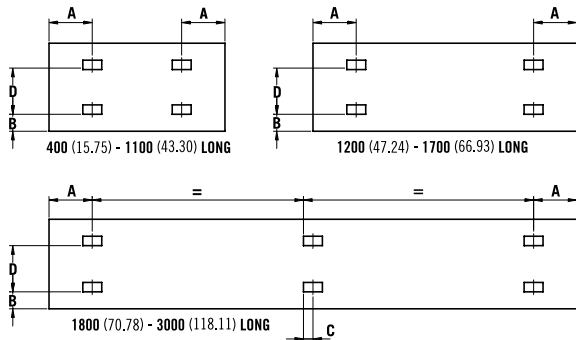
Additional Zinc coating to the emitter provides extra protection and helps prevent corrosion and rust, without compromising the heat output.

# COMPACT XTRA PROTECTION

## Boutique Series

### K1 AND K2 LUG POSITIONS

All dimensions in mm. Inches in brackets.



### P1, P+ & K2

Dimensions	mm	in
<b>A</b>	133	5.24
<b>B</b>	60	2.36

### K1

Dimensions	mm	in
<b>A</b> 400mm	117	4.61
<b>A</b> 500 - 3000mm	150	5.91
<b>B</b> 400 - 3000mm	60	2.36
<b>C</b> 1800 - 3000mm	17	0.67

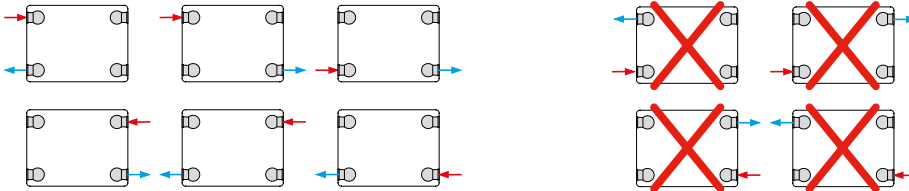
### PANEL HEIGHT D

mm	in	mm	in
300	11.81	155	6.10
450	17.72	305	12.01
600	23.62	455	17.91
700	27.56	555	21.95

### CONNECTIONS

Each radiator comes with 1/2" inlet connections as standard.

### PIPING OPTIONS



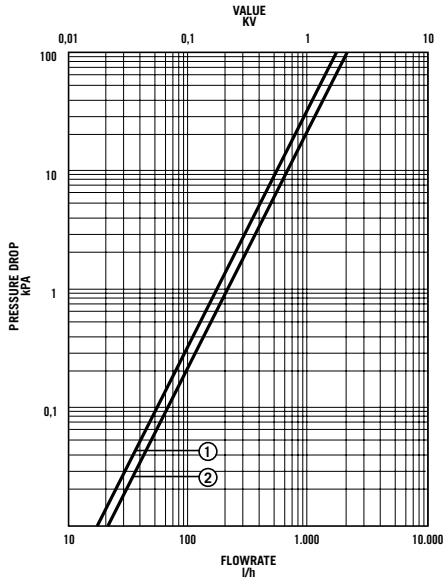
### EN 442 CERTIFICATION DATA - CETIAT TESTED IN ACCORDANCE WITH BS EN 442

Type	K1		K2	
Height	450	600	450	600
W/m at 75/65/20	756	980	1371	1732
n-coefficients	1.31	1.29	1.33	1.33
Heated surface area (m <sup>2</sup> /m)	3.37	4.66	5.62	7.74
Weight (kg/m)	14.51	19.70	25.90	35.00
Water contents (l/m)	2.57	3.25	5.15	6.60
Wall to tap centre (mm)	51	51	73	73

# COMPACT XTRA PROTECTION

Boutique Series

## PRESSURE DROPS



- ① Type 10 (P1), 11 (K1)
- ② Type 21 (P+), 22 (K2)