

The STR is simplicity in bathroom or kitchen heating and towel warming. Providing a neat and efficient way to warm your towel and room.



# STR (STELRAD TOWEL RADIATOR)

Boutique Series

## 50 $\Delta t$

(75/65/20°C)

Height mm	Length mm	Range	Stelrad UIN	Watts	Heat output Btu/hr
<b>645</b>	425	STR2	140129	419	1430
	625	STR3	140130	611	2085
<b>745</b>	425	STR4	140022	475	1621
	625	STR6	140023	693	2365
	825	STR8	140024	922	3147

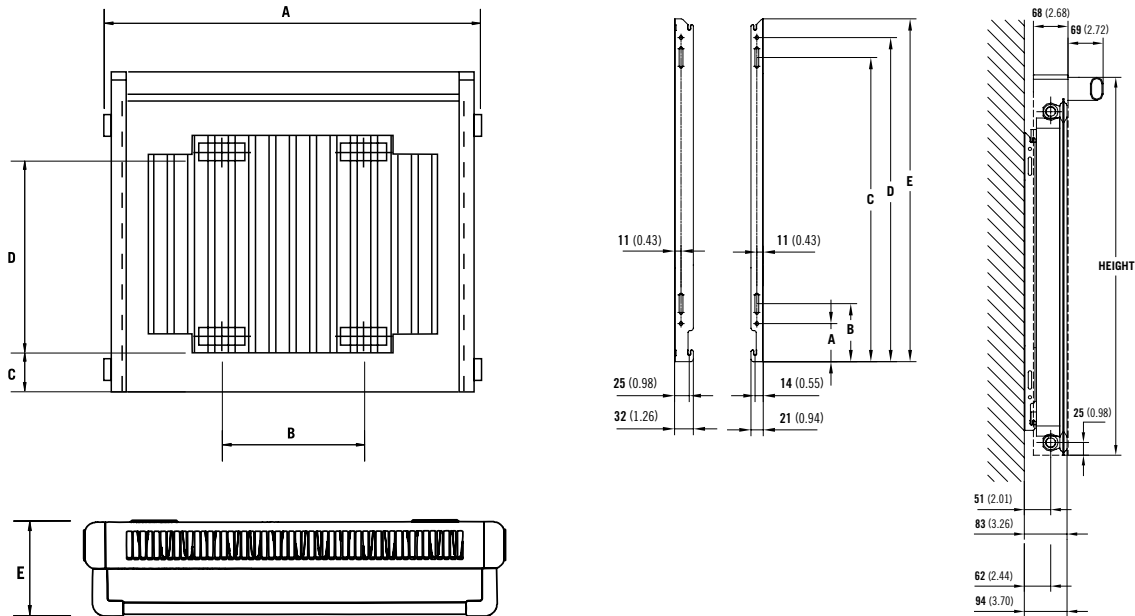
$\Delta t_{50}$  is the UK's industry standard for heating outputs, which has an operating temperature of 75/65/20°C. If you have a low temperature heat source you may wish to consider  $\Delta t_{40}$  or  $\Delta t_{30}$  output (see your installer or system designer or download from [www.stelrad.com](http://www.stelrad.com)).

**For EN442 data, technical and installation information please visit our website: [www.stelrad.com](http://www.stelrad.com) and search product downloads.**

# STR (STELRAD TOWEL RADIATOR)

## Boutique Series

### WALL MOUNTING INFORMATION



STR2

STR3

STR4

STR6

STR8

Dimensions	mm	in	mm	in	mm	in	mm	in	mm	in
A	425	16.73	625	24.60	425	16.73	625	24.60	825	32.48
B	167	6.57	300	11.81	167	6.57	300	11.81	500	19.68
C	60	2.36	60	2.36	60	2.36	60	2.36	60	2.36
D	555	21.85	555	21.85	555	21.85	555	21.85	555	21.85
E	140	5.51	140	5.51	140	5.51	140	5.51	140	5.51

### MOUNTING BRACKETS

All dimensions in mm. Inches in brackets.

Dimensions	mm	in	mm	in
A	700	27.56	600	23.62
B	65	2.56	65	2.56
C	99	3.90	99	3.90
D	519	20.43	419	16.50
E	553	21.77	453	17.83
F	585	23.03	485	19.09

### CONNECTIONS

Each radiator comes with 1/2" inlet connections as standard.

### EN 442 CERTIFICATION DATA - CETIAT TESTED IN ACCORDANCE WITH BS EN 442

Type	STR2	STR3	STR4	STR6	STR8
Height	645	645	745	745	745
W/m at 75/65/20	419	611	475	693	922
n-coefficients	1.27	1.27	1.28	1.28	1.28
Heated surface area (m <sup>2</sup> /m)	1.86	2.79	2.21	3.31	4.41
Weight (kg/m)	8.72	13.08	9.95	14.92	19.89
Water contents (l/m)	1.32	1.98	1.56	2.34	3.12