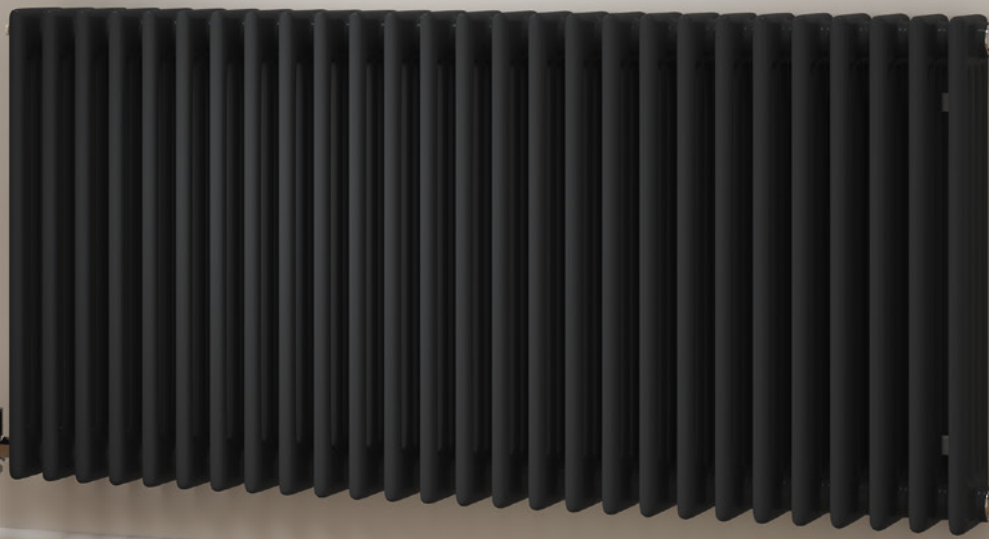


HOME

SERIES



Column
Concept

COLUMN CONCEPT

50 Δ t

(75/65/20°C)

Height mm	Length mm	Stelrad UIN	Heat output		Stelrad UIN	Heat output	
			Watts	Btu/h		Watts	Btu/h
600	628	463133h	792	2,703	463140h	1,037	3,539
	858	463134h	1,096	3,741	463141h	1,436	4,901
	1042	463135h	1,340	4,573	463142h	1,756	5,993
	1272	463136h	1,644	5,611	463143h	2,155	7,355

Δ t50 is the UK's industry standard for heating outputs, which has an operating temperature of 75/65/20°C. If you have a low temperature heat source you may wish to consider Δ t40 or Δ t30 output (see your installer or system designer or download from www.stelrad.com).

For EN442 data, technical and installation information please visit our website: www.stelrad.com and search product downloads.

COLUMN CONCEPT

COLUMN HORIZONTAL FLOOR MOUNTING BRACKETS

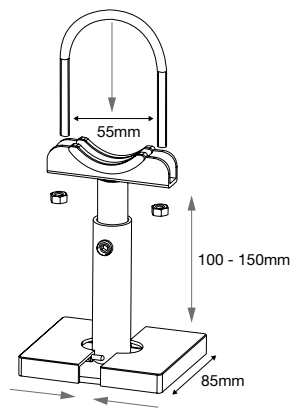
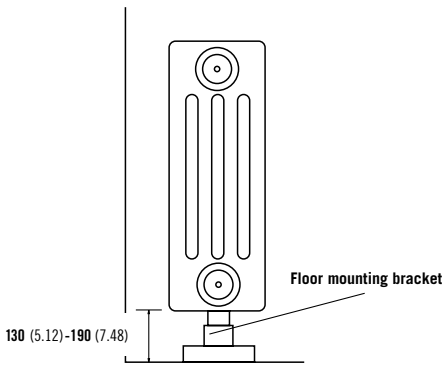


UIN: 148138
 Anthracite grey
 (sold in pairs)

FLOOR MOUNTING BRACKET INFORMATION	
400 - 1500mm	2 feet

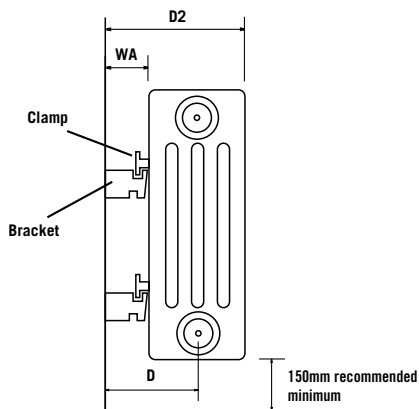
OPTIONAL FLOOR MOUNTING BRACKETS

All dimensions in mm. Inches in brackets.



BRACKET INSTALLATION

All dimensions in mm. Inches in brackets.



MEASUREMENTS USING 10mm CVD BRACKETS SLOT

Add 5mm if using 15mm slot

	WA	D	D2
2 Col	23	54	85
3 Col	23	73	123
4 Col	23	91	159

BRACKETS AND CLAMPS REQUIRED

	No of Sections
4	0 - 23
6	24 - 41

Number of columns	Wall to centre of connections		Wall to front face of radiator
	Using 10mm bracket slot	Using 15mm bracket slot	
2	54	59	85 or 90
3	73	78	123 or 128
4	91	96	159 or 164

All sizes (approximate) in mm

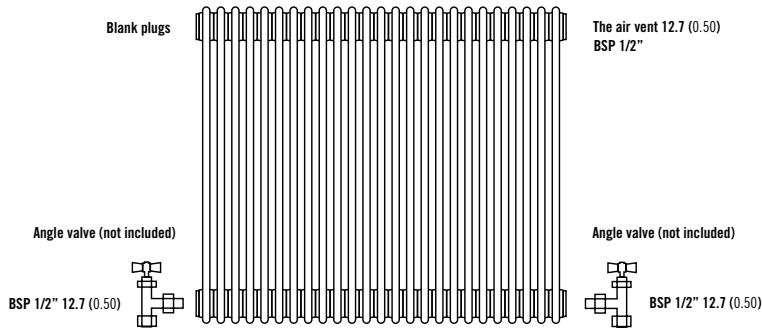
CONNECTIONS

Each radiator comes with ½" inlet connections as standard.

COLUMN CONCEPT

VALVE INSTALLATION

All dimensions in mm. Inches in brackets.

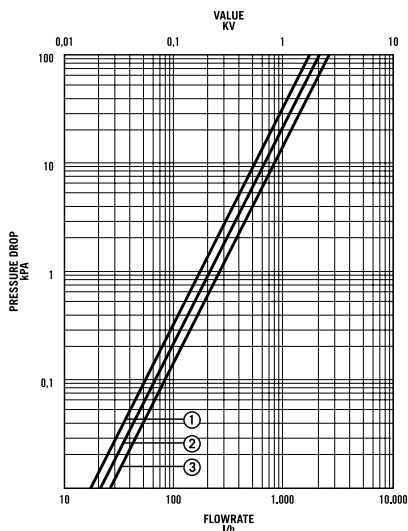


Note: Factory fitted bushes are welded in place and not removable.
If installing TBOE (Top Bottom Opposite End) please note that the radiator MUST be inverted.

EN 442 CERTIFICATION DATA - CETIAT TESTED IN ACCORDANCE WITH BS EN 442

Type	2 Columns		3 Columns			4 Columns
Height	500	600	300	500	600	600
W/m at 75/65/20	835	985	696	1122	1324	1734
n-coefficients	1.25	1.25	1.25	1.25	1.26	1.27
Heated surface area (m ² /m)	1.52	1.96	1.52	2.39	3.04	4.13
Weight (kg/m)	17.39	21.74	15.22	26.09	30.43	43.48
Water contents (l/m)	10.87	13.04	13.04	17.39	19.57	26.09
Wall to tap centre (mm)	54 / 59	54 / 59	73 / 78	73 / 78	73 / 78	91 / 96

PRESSURE DROPS



- ① 2 Column (P1), 11 (K1)
- ② 3 Column (P+), 22 (K2)
- ③ 4 Column (K3)

CONNECTIONS

Each radiator comes with 1/2" inlet connections as standard.