

# HOME

SERIES



Column  
Horizontal

# COLUMN HORIZONTAL

## 50 $\Delta$ t

(75/65/20°C)

Height mm	Length mm	2 COLUMN			3 COLUMN			4 COLUMN		
		Stelrad UIN	Heat output Watts	Heat output Btu/hr	Stelrad UIN	Heat output Watts	Heat output Btu/hr	Stelrad UIN	Heat output Watts	Heat output Btu/hr
<b>300</b>	444	-	-	-	463000h	288	983	463007h	377	1,287
	628	-	-	-	463001h	416	1,420	463008h	545	1,860
	858	-	-	-	463002h	576	1,966	463009h	754	2,573
	1042	-	-	-	463003h	704	2,403	463010h	922	3,147
	1272	-	-	-	463004h	864	2,949	463011h	1,131	3,860
	1456	-	-	-	463005h	992	3,386	-	-	-
	1870	-	-	-	463006h	1,280	4,369	-	-	-
<b>500</b>	444	463012h	499	1,703	463016h	464	1,584	463023h	608	2,075
	628	463013h	691	2,358	463017h	671	2,290	463024h	879	3,000
	858	463014h	845	2,884	463018h	929	3,171	463025h	1,217	4,154
	1042	463015h	1,037	3,539	463019h	1,135	3,874	463026h	1,487	5,075
	1272	-	-	-	463020h	1,393	4,754	463027h	1,825	6,229
	1456	-	-	-	463021h	1,600	5,461	-	-	-
	1870	-	-	-	463022h	2,064	7,044	-	-	-
<b>600</b>	444	-	-	-	463032h	548	1,870	463039h	718	2,451
	628	463028h	589	2,010	463033h	792	2,703	463040h	1,037	3,539
	858	463029h	815	2,782	463034h	1,096	3,741	463041h	1,436	4,901
	1042	463030h	997	3,403	463035h	1,340	4,573	463042h	1,756	5,993
	1272	463031h	1,223	4,174	463036h	1,644	5,611	463043h	2,155	7,355
	1456	-	-	-	463037h	1,888	6,444	-	-	-
	1870	-	-	-	463038h	2,436	8,314	-	-	-
<b>750</b>	444	-	-	-	-	-	-	463049h	877	2,993
	628	-	-	-	-	-	-	463050h	1,266	4,321
	858	-	-	-	463044h	1,337	4,563	463051h	1,753	5,983
	1042	-	-	-	463045h	1,635	5,580	463052h	2,143	7,314
	1272	-	-	-	463046h	2,006	6,846	463053h	2,630	8,976
	1456	-	-	-	463047h	2,303	7,860	-	-	-
	1870	-	-	-	463048h	2,972	10,143	-	-	-

$\Delta$ t50 is the UK's industry standard for heating outputs, which has an operating temperature of 75/65/20°C. If you have a low temperature heat source you may wish to consider  $\Delta$ t40 or  $\Delta$ t30 output (see your installer or system designer or download from [www.stelrad.com](http://www.stelrad.com)).

For EN442 data, technical and installation information please visit our website: [www.stelrad.com](http://www.stelrad.com) and search product downloads.

# COLUMN HORIZONTAL

## COLUMN HORIZONTAL FLOOR MOUNTING BRACKETS

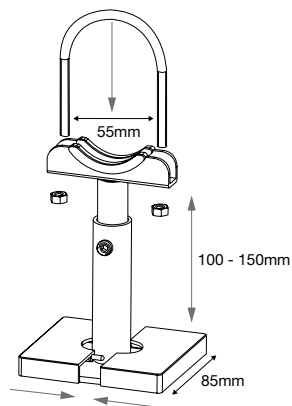
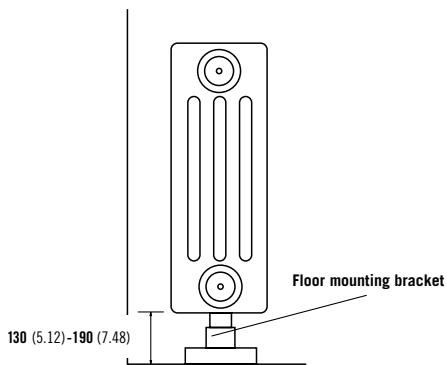


UIN 148137 White  
(sold in pairs)

FLOOR MOUNTING BRACKET INFORMATION	
400 - 1500mm	2 feet

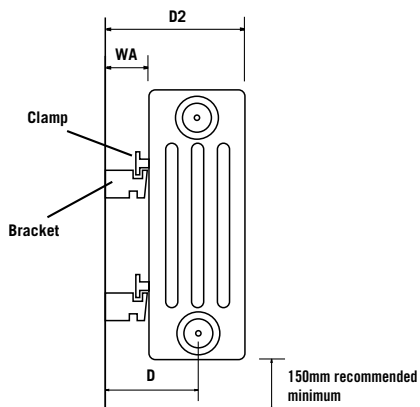
## OPTIONAL FLOOR MOUNTING BRACKETS

All dimensions in mm. Inches in brackets.



## BRACKET INSTALLATION

All dimensions in mm. Inches in brackets.



## MEASUREMENTS USING 10mm CVD BRACKETS SLOT

Add 5mm if using 15mm slot

	WA	D	D2
2 Col	23	54	85
3 Col	23	73	123
4 Col	23	91	159

## BRACKETS AND CLAMPS REQUIRED

	No of Sections
4	0 - 23
6	24 - 41

Number of columns	Wall to centre of connections		Wall to front face of radiator
	Using 10mm bracket slot	Using 15mm bracket slot	
2	54	59	85 or 90
3	73	78	123 or 128
4	91	96	159 or 164

All sizes (approximate) in mm

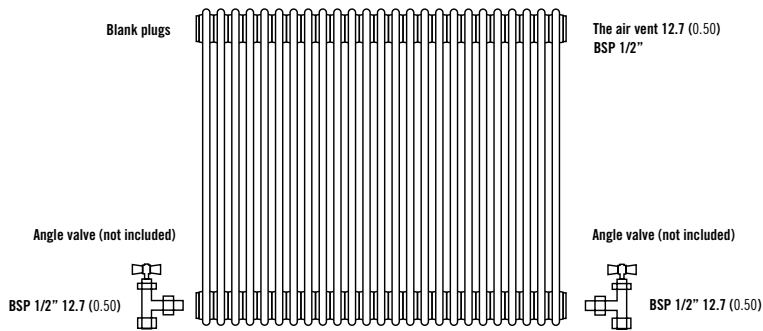
## CONNECTIONS

Each radiator comes with ½" inlet connections as standard.

# COLUMN HORIZONTAL

## VALVE INSTALLATION

All dimensions in mm. Inches in brackets.

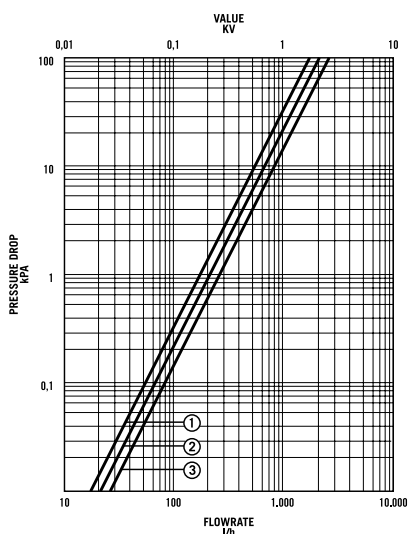


Note: Factory fitted bushes are welded in place and not removable.  
If installing TBOE (Top Bottom Opposite End) please note that the radiator MUST be inverted.

## EN 442 CERTIFICATION DATA - CETIAT TESTED IN ACCORDANCE WITH BS EN 442

Type	2 Columns		3 Columns			4 Columns
Height	500	600	300	500	600	600
W/m at 75/65/20	835	985	696	1122	1324	1734
n-coefficients	1.25	1.25	1.25	1.25	1.26	1.27
Heated surface area (m <sup>2</sup> /m)	1.52	1.96	1.52	2.39	3.04	4.13
Weight (kg/m)	17.39	21.74	15.22	26.09	30.43	43.48
Water contents (l/m)	10.87	13.04	13.04	17.39	19.57	26.09
Wall to tap centre (mm)	54 / 59	54 / 59	73 / 78	73 / 78	73 / 78	91 / 96

## PRESSURE DROPS



- ① 2 Column (P1), 11 (K1)
- ② 3 Column (P+), 22 (K2)
- ③ 4 Column (K3)

## CONNECTIONS

Each radiator comes with 1/2" inlet connections as standard.