

HOME

SERIES

Concord
Vertical

CONCORD VERTICAL

50 Δ t

(75/65/20°C)

Height mm	Length mm	SINGLE			DOUBLE		
		Stelrad UIN	Heat output Watts Btu/h		Stelrad UIN	Heat output Watts Btu/h	
1800	444	448340h	852	2,907	448640h	1,254	4,279
	592	448341h	1,136	3,876	448641h	1,672	5,705
	740	448342h	1,420	4,845	448642h	2,090	7,131
2000	444	448343h	942	3,214	448643h	1,386	4,729
	592	448344h	1,256	4,286	448644h	1,848	6,306
	740	448345h	1,570	5,357	448645h	2,310	7,882

Δ t50 is the UK's industry standard for heating outputs, which has an operating temperature of 75/65/20°C. If you have a low temperature heat source you may wish to consider Δ t40 or Δ t30 output (see your installer or system designer or download from www.stelrad.com).

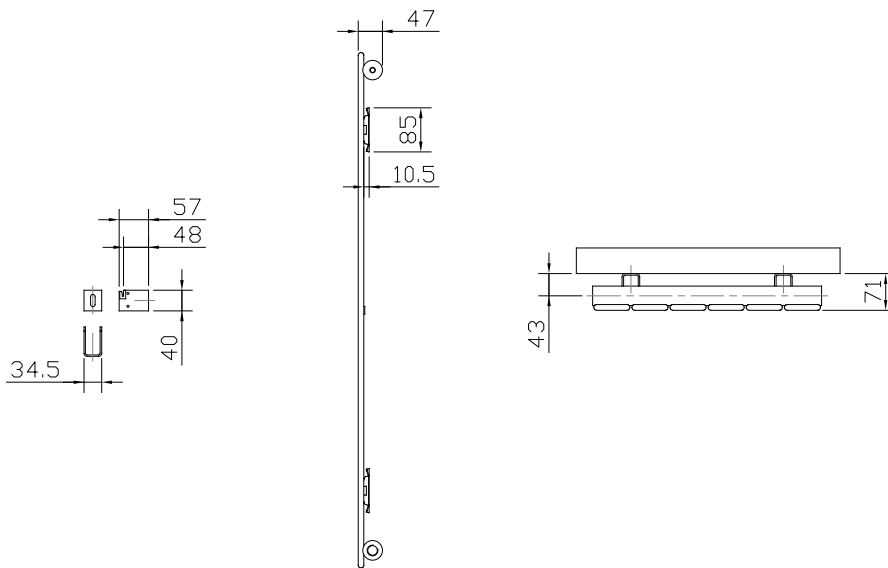
For EN442 data, technical and installation information please visit our website: www.stelrad.com and search product downloads.

CONCORD VERTICAL

WALL MOUNTING INFORMATION

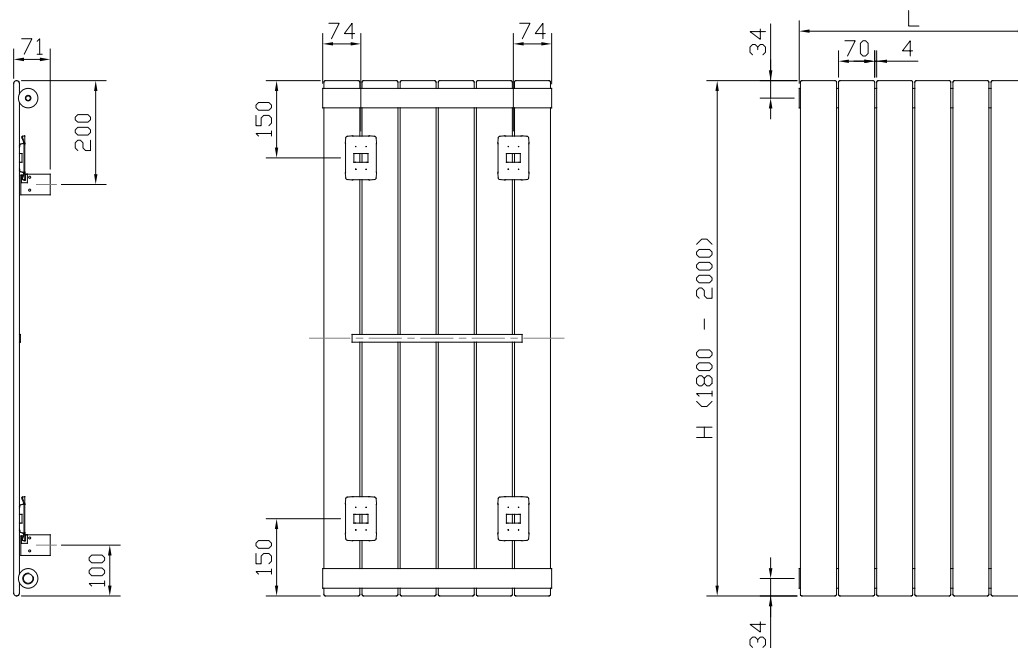
All dimensions in mm.

Type	From back of radiator to wall		From wall to centre of connections		From front of radiator to wall	
	mm	inches	mm	inches	mm	inches
Vertical	24	0.98	43	1.69	71	2.80



FIXING POSITIONS

All dimensions in mm. Inches in brackets.



CONNECTIONS

Each radiator comes with 1/2" inlet connections as standard.

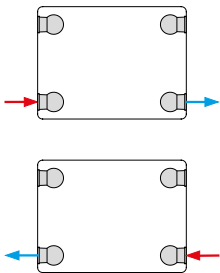
CONCORD VERTICAL

EN 442 CERTIFICATION DATA - CETIAT TESTED IN ACCORDANCE WITH BS EN 442

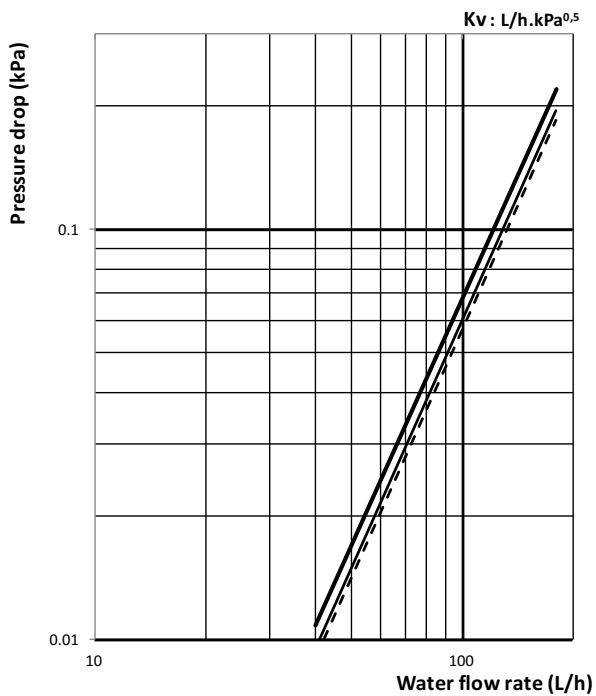
Type	Vertical	
	1800	2000
Height	1800	2000
W/m at 75/65/20	1846	2041
n-coefficients	1.31	1.31
Heated surface area (m ² /m)	4.01	4.42
Weight (kg/m)	44.2	49.4
Water contents (l/m)	14.3	16.9
Wall to tap centre (mm)	43	43

STEEL THICKNESS 1.25mm

PIPING INSTRUCTIONS



PRESSURE DROPS



- Vertical 1800/2000 10 elts - Kv=383
- Vertical 1800/2000 8 elts - Kv=408
- - Vertical 1800/2000 - 6 elts - Kv=419